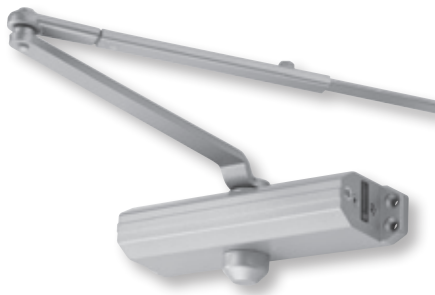




FALCON

Price book 9

Effective April 3, 2021 • Rev. 04/21



This price list supersedes and cancels all previous price lists. Prices shown are subject to change without notice.

Administrative Offices

Allegion Administrative Office
11819 N. Pennsylvania St.
Carmel, IN 46032
allegion.com/us

Placing orders

You can place orders with Allegion via the fax numbers or emails listed below:

Locks, Exits (panic devices), Closers
Fax#: 1-800-452-0665
Email: Allegion_Orders@allegion.com

Electronic Products
Fax#: 1-800-452-0665
Email: Allegion_Orders@allegion.com

FastTrack
Fax#: 1-800-288-4242
Email: Order_Fasttrack@allegion.com

ProExpress
Fax#: 800-924-3551
Email: Order.Pro.Express@Allegion.com
Online: www.Allegion.com/us/proexpress

Customer Care

Our Customer Care Representatives are available for questions or assistance.
You can reach them at **877-671-7011** (Press 1 for Sales Support | Press 2 for Product Support | Press 3 for RSO) or through the email addresses listed below:

Sales Support

support@allegion.com

Technical Product Support

Mechanical Locks/Keying Systems

Mechanical_Locks_TechProdSupport@allegion.com

Exit Devices

Exits_TechProdSupport@allegion.com

Closers

Closers_TechProdSupport@allegion.com

Request for Quote

Carolinas

(North Carolina, South Carolina, Virginia)
Carolinas.Quotes@allegion.com

Central

(Arkansas, Illinois, Iowa, Kansas, Missouri, Nebraska, Oklahoma)
Central.Quotes@allegion.com

Chicago

(Illinois-Northern, Wisconsin)
Chicago.Quotes@allegion.com

Florida

Florida.Quotes@allegion.com

Great Lakes

(New York, Pennsylvania)
GreatLakes.Quotes@allegion.com

Metro New York

Metro.Quotes@allegion.com

Michigan

Michigan.Quotes@allegion.com

Mid Atlantic North

(New York, Pennsylvania)
Mid.Atlantics.north.quotes@allegion.com

Mid Atlantic South

(Delaware, Maryland, New Jersey)
Mid.Atlantics.south.quotes@allegion.com

Midwest

(Indiana, Kentucky, Ohio, West Virginia)
Midwest.Quotes@allegion.com

Mountain States

(Colorado, Idaho, Montana, Nevada, Utah, Wyoming)
Mtn.States.Quotes@allegion.com

New England

(Connecticut, Main, Massachusetts, New Hampshire, Rhode Island, Vermont)
NewEngland.Quotes@allegion.com

North Central

(Minnesota, North Dakota, South Dakota)
NorthCentral.Quotes@allegion.com

Northern California

NoCal.Quotes@allegion.com

Northwest

(Alaska, Oregon, Washington)
Northwest.Quotes@allegion.com

South

(Alabama, Georgia, Louisiana, Mississippi, Tennessee)
South.Quotes@allegion.com

Southern California

(California-Southern, Hawaii)
SoCal.Quotes@allegion.com

Southwest

(Arizona, New Mexico)
Southwest.Quotes@allegion.com

Texas

Texas.Quotes@allegion.com

Contact Information2

Locks

Miscellaneous Information 4
 Finishes 5
 Forms & Examples 10-24
 Product Index 159-162

MA Series25-38
 RU Series39-52
 T Series53-66
 X Series74-80
 D100 Series81
 B Series91-98
 W Series99-108
 D200 Series109-120
 H2 Series121-130
 Cylinders131-148

Auxillary Products 149-158

Exits

Finishes 164
 General Exit Device Information 164
 Factors Affecting Exit Devices 165
 New Nomenclature Conversion Chart 166
 How to Order 167-168
 25 Series 170
 25 Series Options/Trims/Accessories/Parts 180-190
 25 Series Exploded View 192-205
 24 Series Options/Trims/Strikes/Accessories/Parts 214
 24 Series Exploded View 224-235
 19 Series 236
 19 Series Options/Trims/Strikes/Accessories/Parts 240-246
 19 Series Exploded View 248-253
 20 Series 254
 1490 Series 255-256
 1590 Series 257-258
 1490-1590 Series Exploded View 259-266
 1690 Series 267
 1690 Series Exploded View 269-271
 1790 Series 272-273
 1790 Series Exploded View 274-275
 1990 Series 276
 1990 Series Exploded View 278-281
 2090 Series 282
 2090 Series Exploded View 284-287
 2390 Series 288
 2390 Series Exploded View 290-293
 Exit Accessories 294-295
 Mullions/Mullion Options 294
 Numerical Index 296-298

Closers

Available Finishes 299
 Common Applications 300
 SC Series Options 301
 SC60/SC60A Series Surface Mount 302
 SC70/SC70A Series Surface Mount 303
 SC80/SC80A Series Surface Mount 304
 SC90 Series Surface Mount 305
 OHC Series Concealed 306
 8200 Series Auto Operator 307
 8300 Series Actuators & Accessories 308

Electronics

Power Supplies 309-310

Policies and documents

The purchase of Allegion products is governed by the Allegion Authorized Seller Program. For program terms and conditions, and other program details, please visit: www.allegion.com/AuthorizedSeller.

For Warranty information, visit us.allegion.com/warranty or contact Customer Service at 877-671-7011.

LOCKS FOR THICK DOORS

Many Series of Falcon locks are available for doors over 1-3/4" thick. Consult the options section for each series for available door thicknesses and charges.

LEAD-LINING OR LEAD-WRAPPING

T and RU Series locksets and latchsets are available lead-lined. MA Series locksets are available lead-wrapped. Consult the options section for each series for availability and charges.

ABRASIVE COATING AND KNURLING

Abrasive coated or knurled knobs or levers are available for most Falcon locksets and latchsets. Consult the options section for each series for availability and charges.

MOUNTED LOCK SAMPLES

Individual mounted samples are available for all lock series. The samples are mounted on a mount block and are fully operative thus allowing demonstration of each functions' individual features. There is a nominal charge for the mount block. There is no charge for mounting of the hardware. See page 158 for mount selection.

SET OF FINISH SAMPLES

One (1) of each finish on 1-1/4" diameter disks attached together with a bead chain.
 Finishes Included: 605, 606, 613, 619, 622, 625, 630, & 643e. Contact your RSO representative for availability.

COMPETITORS' KEYWAYS

A selection of standard keyways of other lock manufacturers is available as listed below (6-pin only). Consult options sections of each series for availability. (Not available in any mortise and rim cylinders, or factory master keyed.)
 Furnished 0-Bitted unless otherwise specified. KD option is not available for locks containing 2 cylinders.

Manufacturer	Keyway	Keying Options
Corbin Russwin	60	0 Bitted, KD
	L4	0 Bitted, KA4
Russwin	D1	0 Bitted, KD
Sargent	LA	0 Bitted, KD
Yale	8 (Para)	0 Bitted, KD

INTERCHANGEABLE CORES

The "A" keyway is standard for IC products and will be supplied unless otherwise specified. A, B, C, D, DD, E, F, G, H, J, K, L, M, N, Q, R, TB, TD are equivalent to Best and Arrow IC keyways of the same names. Consult Allegion Customer Service for restricted keyways not listed here. Conventional cylinders are not compatible with interchangeable core.

COMPETITORS' CORES

Falcon standard IC preps accept Arrow (including Flex-Core), Best (including PKS, Peaks and Cormax®), InstaKey, Kaba Peaks, Keymark and KSP cores. Other brands of interchangeable cores are compatible with T and RU Series locksets. See those sections for details.

CONVENTIONAL CYLINDERS

The "G" keyway is standard for conventional cylinder products and will be supplied unless otherwise specified. E, H, K, L, N and P are also available. Consult Allegion Safety Customer Service for restricted keyways and other keyways not listed here.

* Interchangeable core not compatible with conventional cylinders

RESTRICTED KEYWAY POLICY

All keyways not listed in the above statements defined as standard keyways are considered RESTRICTED. Falcon requires a minimum cylinder order size to qualify for a defined geographic area restricted key system. A letter of authorization is required for the purchase of keys, locks or cylinders (to include plugs) for a restricted keyway. Contact 877-671-7011 for availability.

Prices subject to change without notice

FINISHES

Although we apply the finest available protective plating and/or enamel coating to the surface of our products, these finishes have limitations and in time may deteriorate either from exposure to weather, pollution, perspiration, extremes of climate, frequency of use or other factors. Deterioration of these finishes is, therefore, not a defect, but a normal process which is unavoidable. Our Company cannot accept responsibility for finish deterioration in these circumstances and therefore the finishes cannot be guaranteed. These products will not be refinished or replaced under our warranty should deterioration of finishes occur.

Some finishes are not suggested for areas that are subject to corrosive climate or chemical conditions. We recommend chrome plated or stainless steel finishes for these areas.

ANSI/BHMA Finish Code	U.S. Standard Code	Description
605*	3	Bright Brass - Clear Coated
606	4	Satin Brass - Clear Coated
613**	10B	Satin Bronze; Dark Oxidized and Oil Rubbed
619	US15	Satin Nickel
622		Matte Black
625	26	Bright Chromium
626	26D	Satin Chromium
630	32D	Satin Stainless Steel
643E	US11	Aged Bronze

* 605 Finish is not recommended for corrosive climates.

** Oil rubbed bronze (613) is considered a category "B" finish by ANSI/BHMA and will vary in color when applied to different alloys and forms of base material. 613 will also vary from production lot and additionally from one manufacturer to another. Oil rubbed bronze will wear off over time due to the "rubbed" finishing method that has no protective coating or plating.

Please refer to price columns for each lock series for finish availability.

HOW TO SPECIFY FINISHES

STRAIGHT FINISHES: When the finish is to be the same for both sides of the door.

EXAMPLE: 40 EA. 511HG 626

SPLIT FINISHES: Split finishes are available on all models except for Padlocks. Finish may vary from one side of the door to the other and will be priced at the highest list price of the design/finish chosen.

EXAMPLE: 40 EA. X30ITG 606 x 625 (Outside finish is always specified first)

MARKING CARTONS

Markings (e.g., door number, stock reference numbers) on individual product cartons will be provided with no charge.

Prices subject to change without notice

WHERE TO SEND ORDERS		
Type of Order	Fax No.	Mailing Address
Factory	888-840-7732 (West) 888-840-7735 (East)	Falcon Lock 3899 Hancock Expressway Security, CO 80911 877-671-7011

Note 1) Failure to use the above fax numbers or mailing address will delay processing of your order.

PRODUCT IDENTIFICATION CODING	
Latch Suffix	
D	Deadlatch
S	Springlatch
Cylinder Suffix	
P	6 pin cylinder, keyed to 5 chambers
L	Less cylinder
B	Less SFIC
BDC	Disposable construction core, plastic (SFIC**)
J	FSIC core prep (competitor's full-size IC, designate competitor in "Additional Details" of Order Form)
G	SFIC (Old Falcon designation = WIC)
H	Construction Core SFIC (brass, keyed)
BB	Best Syle Capped Core (SFIC)
Trim and Chassis Prefix	
6	Abrasive Lever (6DA = Dane Lever x abrasive strip)
8	Knurled (8TG = Troy-Gala knob trim x knurled lever or knob)
9	Lead-Lined (9AV = Avalon lever x lead-lining of levers (and/or chassis)
XC	Corrosion resistant chassis (XC561 = X corrosion resistant chassis, classroom function)*

* X Series chassis only.

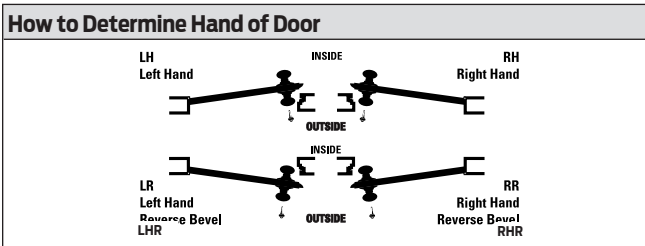
** SFIC = Small format interchangeable core

Prices subject to change without notice

To order Falcon products, descriptive data should be in the same sequence as shown:

Line Item	Qty	Product	Outside		Inside		Hand	Latch	Strike	Dr. Thk	Ext	DIM	Additional Details
			DES	FIN	DES	FIN							
1	2	3	4	5	6	7	8	9	10	11	12	13	14

1. **LINE ITEM:** Line item number
2. **QTY:** Quantity
3. **PRODUCT:** Complete lock product or part number
4. **OUTSIDE DES:** Outside design code
5. **OUTSIDE FIN:** Outside finish code
6. **INSIDE DES:** Inside design code. Leave blank if same as outside design code.
7. **INSIDE FIN:** Inside finish code. Leave blank if same as outside finish code.
8. **HAND:** Hand of door. Only one hand allowed per line item.
Example: RH = Right Hand, LH = Left Hand, RHR = Right Reverse, LHR = Left Reverse.



9. **LATCH:** Latch. Leave blank for standard or specify part number if non-standard latch is required. LLL = Less Latch.
10. **STRIKE:** Strike. Leave blank for standard or specify part number if non-standard strike is required. LLL = Less Strike.
11. **DR THK:** Door Thickness. Enter door thickness if non-standard. Example: 138 = 1-3/8", 214 = 2 1/4", 212 = 2 1/2".
12. **EXT:** Extension. Enter one of the following when doors 2" thick or greater are specified:
 - EE = Extended Equally
 - EI = Extended Inside
 - EO = Extended Outside
 - ED = Extended Differently
 EI or EO assumes the latch will be centered on a 1-3/4" door, to which material has been added.
13. **DIM:** Enter dimension for non-standard strike lip length and mortise cylinder or blocking ring length.

012 = 1/8"	118 = 1-1/8"
018 = 3/16"	114 = 1-1/4"
025 = 1/4"	138 = 1-3/8"
031 = 5/16"	112 = 1-1/2"
037 = 3/8"	158 = 1-5/8"
050 = 1/2"	134 = 1-3/4"
078 = 7/8"	200 = 2"
100 = 1"	400 = 4"
14. **ADDITIONAL DETAILS:** Enter detail for keying information and for special requirements.

Prices subject to change without notice

Line Item	Qty	Product	Outside		Inside		Hand	Latch	Strike	Dr. Thk	Ext	DIM	Additional Details/Keying
			DES	FIN	DES	FIN							
Ten B-Series storeroom locks with a Dane outside lever in 605 and Dane inside lever in 626, with a 2-3/8 radius face latch and full lip radius strike, 6-pin standard cylinder, G keyway.													
2	10	B581PD6	DAN	605	DAN	626		57421	5104-1				
Four T-Series entry office locks with an Avalon lever in 613, standard latch and strike, 5-pin standard cylinder, G keyway													
3	4	T511PD	AVA	613				98535	5164	134			
Three T-Series entry office locks with a Quantum lever in 605, abrasive outside lever, standard latch and strike, for 2-1/4" thick doors, 6-pin standard cylinder, G keyway, masterkeyed to new system, with 3 keys each. Provide 2 masterkeys.*													
Note: Masterkeying charges and extra cut key charges will be added to the applicable lock/cylinder order line and list price of lock will be adjusted. Charges will not be shown separately on acknowledgements or invoices.													
4	3	T511PD6	6QU	605	QUA			98535	5164	214			G Keyway, w/3 keys ea.
5	2	KB578											G Section, master key
6	3	50-215											Extra cut keys charges
7	3	50-210											Master keying charges
Two X-Series dormitory locks with a Troy knob and Gala rose in 606, 7-pin SFIC, A keyway, 0-bitted, one control key, less strike.													
8	2	X571BD7	TG	606				98535	LLL				A-000000
9	1	KB609-2											A Section control key 0-bit
Two MA-Series dormitory locks with a Hana knob and Gala rose in 625, right hand, lead-lined, 6-pin SFIC, A keyway, construction core, one control key, two change keys.													
10	2	MA571HDG	9HG	625			RH						
11	2	KB632-1CCA											A Section const. change key
12	1	KB609-1CCA											A Section const. ctrl. key
One MA-Series dormitory locks with a Hana knob and Gala rose in 625, left hand reverse, knurled outside knob, 6-pin SFIC, disposable construction core.													
13	1	MA571BDC	9HG	625			LR						
Five W-Series classroom locks with a Dane lever in 626. Standard latch and strike. 6-pin Schlage C keyway, Keyed Different.													
14	5	W5619D6	DAN	626				30-197	30-148				Sch C KD
*Use Master Keying Schedule form and appropriate Master Key Specification Sheet when ordering.													

Prices subject to change without notice



DISTRICT 10

**End User
Letterhead - REQUIRED**

District 10 Schools
555 Main Street
End User City, State 55555
(555) 555-5555

May 1, 2003

Date - REQUIRED

To: Falcon Dealer
100 East Avenue
Dealer City, State 11111

**Dealer Name -
RECOMMENDED**

RE: District 10, Jones Elementary School

Facility Name - REQUIRED

Please consider this authorization to ship product for the above-referenced project.

Jones Elementary School is to be keyed using a new Falcon Restricted Key System. For security reasons, we would like to have all keys for this facility shipped to a location other than the job site. Master keyed products, however, can be shipped directly to the site. This letter authorizes Falcon to ship our restricted products to the following addresses:

Master Keyed Products, Construction Keys, Locks Less
Cylinders, and Locks with Construction Cores

Attn: Building Project Manager
District 10 Schools
555 Main Street
End User City, State 55555

Master Keys, Change Keys, Control Keys, and Key Blanks

Attn: Locksmith
District 10 Lockshop
1201 Fifth Avenue
End User City, State 55555

**Authorized Ship -
To Addresses -
REQUIRED**

These two addresses above serve as our only authorized shipment addresses for all orders placed for our facility. We understand that this letter will be kept on file and referenced for our future orders and that a new letter is only required to add, remove, or change authorized shipping locations.

Sincerely,


End User Representative
Facilities Manager

**End User
Representative
Signature -
REQUIRED**

Letter may be mailed or faxed to Falcon
Falcon Restricted Order Processing
3899 Hancock Expressway
Security, CO 80911
Fax: (888) 840-7735

Prices subject to change without notice

QUOTE#

PRICE BOOK:



Non-Master Keyed ORDER

SHIPPING INSTRUCTIONS

REQUESTED SHIPDATE

ORDER WRITTEN BY

FOR FURTHER INFORMATION, CONTACT
Name:

Phone:

Fax:

MARK CARTONS:

ACCOUNT NO.

P.O. NO

DATE

CUSTOMER NAME AND ADDRESS:

SHIP TO:

LINE ITEM	QTY	PRODUCT	OUTSIDE		INSIDE		HAND	LATCH	STRIKE	EXT	DIM	ADDITIONAL DETAILS Use for Key Section and Bitting Information, KA Groups, etc.
			DES	FIN	DES	FIN						

LINE ITEM	QTY	PRODUCT	OUTSIDE		INSIDE		HAND	LATCH	STRIKE	EXT	DIM	ADDITIONAL DETAILS Use for Key Section and Bitting Information, KA Groups, etc.
			DES	FIN	DES	FIN						

Account No. _____ P.O. No. _____ Page _____ of _____ © 2013 Allegion



MASTER KEY SYSTEM SUMMARY

This form must be attached to the **Master Key Order form and P.O.** Please provide as complete and accurate as possible so we can provide what you need for your Key System.

Job Name
Address
City / State
Country

Account No.
P.O.#

For detailed instructions on how to complete this form please refer to pages 4 & 5

System Overview

New

Existing (provide info below)

Attached Dealer Specified Combinations

Registry # _____

Structure or
Factory Order # _____

1. Select System

Schlage

- Classic
- Classic Primus*

Everest®

- B (Small Format IC, Restricted *)
- C (Open)
 - Primus**
- D (Restricted *)
 - Primus**

Everest 29™

- R (Small Format IC, Restricted *)
- S (Open)
 - Primus**
- T (Restricted *)
 - Primus**

Falcon

- Standard
- Schlage C
- Restricted *
- Interchangeable Core A2
- Interchangeable Core A4

Everest 29 key sections are backwards compatible to Everest keyways and have the following relationships:

R family sections > B family keyways
 S family sections > C family keyways
 T family sections > D family keyways

Type

5-pin 6-pin 7-pin
See compatibility chart on page 5

Keyway _____
Specified:** _____

** = The Commercial Master Key Department makes the final decision in the selection of key sections

Construction Keyed Yes No

Full Size Construction Cores ICA ICB ICC
(Schlage Only)

Small Format Construction Cores Brown Green

Construction Keyed Type

- Falcon CK (BOK) Lost Ball
- Schlage CK (Split) RCK (5-Pin C only)

2. Select Keys & Key Stamping

Change Keys

No. Of Keys per Symbol _____

No. Of Keys per Cylinder _____

Type

Standard Bow

Standard Bow
(Unembossed)

Access Bow
(Schlage Only)

Large Bow

Key Stamp Details

Keyset Symbol

Do Not Duplicate
(DND)

With Custom Die
(Specify) _____

Non-standard Code (Specify) _____

Change Key Packaging and Shipping Instructions

Pack Keys Independently (PKI) of Lock or Cylinder***

*** = Furnished standard at no charge with
Split-Key construction keying

Yes No

If PKI, ship change keys to:

Dealer

Other _____

See Primus Facesheet

3. Select Cylinder Stamping

Cylinder Stamp Details

With Industry Standard Key Symbol

Non-Standard Code (Specify)

Cylinder Stamping Location

Plug Face (N/A in Primus) - VKC

Concealed (N/A in Falcon STD) - CKC

4. Select Key Quantities

Level	Qty. Per	Master Key Symbol (s)	Total Quantity
GGM _____	_____	_____	_____
GM _____	_____	_____	_____
MK or RMK _____	_____	_____	_____
Control _____	_____	_____	_____
Emergency _____	_____	_____	_____
Others _____	_____	_____	_____

Ship Master Keys To:

Dealer
 See Primus Facesheet
 Other _____

Special Function	Qty. Per		Qty. Per
RCK (Lost Ball) ****	_____	Full Size Construction Core Keys (Schlage Only)	_____
CK (Split Key) ****	_____	Full Size Construction Core Control Keys (Schlage Only)	_____
Extractor Tools ****	_____	Small Format Construction Core Keys	_____
		Small Format Construction Core Control Keys	_____

**** = Use with Construction Keying

5. Master Key Future Expansion

List Future MK Symbols	Approx. # of Change Key Symbols Under Each Future MK
------------------------	--

Example:
 MK..... ✓ BJ, BK _____ 40 each _____

GGM_ <input type="checkbox"/>	_____	_____
GM_ <input type="checkbox"/>	_____	_____
MK_ <input type="checkbox"/>	_____	_____
MK_ <input type="checkbox"/>	_____	_____
MK_ <input type="checkbox"/>	_____	_____
MK_ <input type="checkbox"/>	_____	_____
Others_ <input type="checkbox"/>	_____	_____

6. Operating Instructions

(Unless otherwise specified, all hierarchical master keys will operate cross-keyed cylinders)

Cross Keyed Cylinder	is operated by these change keys	Cross Keyed Cylinder	is operated by these change keys
X _____	_____	X _____	_____
X _____	_____	X _____	_____
X _____	_____	X _____	_____
X _____	_____	X _____	_____

7. Instructions and Compatibility

General Information

If you do not know the registry number (R#), structure number or the original factory order number for an existing system, contact Customer Service prior to placing the order:

Tel. 1-877-671-7011
Fax 1-800-452-0663

- Only one structure may be ordered on the same purchase order
- Classic refers to Obverse, Numbered (Paracentric), Quad, and Reverse key section families
- Classic Primus refers to Primus Obverse and Primus Quad key section families

Section 1: System a System

Full Size Construction Cores

- Schlage only

Small Format Construction Cores

- 7-pin only for Schlage
- 6- and 7-pin for Falcon

CK (Split)

- 6-pin for Schlage and Falcon
- Split key construction keying is not available for Classic Primus or Everest 29 Primus

RCK (Lost Ball)

- 5-pin (C keyway) only for Schlage
- 5-, 6-, and 7-pin for Falcon

System Selection

- Refer to the compatibility chart

Section 2: Select Kys and Key Stamping

Stamp Details

- Unless otherwise specified, industry standard key symbols are stamped on Everest 29™ and Primus® keys
- For custom die, attach RFQ approval for Schlage

Section 3: Select Cylinder Stamping

Type

- For cylinder type refer to the compatibility chart

Keyway (specify)

- Schlage Commercial's default key section for new Master Key Systems is Everest™ S145

Section 4: Key Quantities

Level

- Unless otherwise specified, the control key has the same cut as the highest-level key in the system (Except SFIC systems)

Special Function

- Construction keys are not furnished unless specified

Change Keys

- Unless otherwise specified 2 change keys are furnished per lock or cylinder

Section 5: Master Key Future Expansion

- Do not use the letters "I", "O", "CK", "KA, or "KD" for any master key symbols

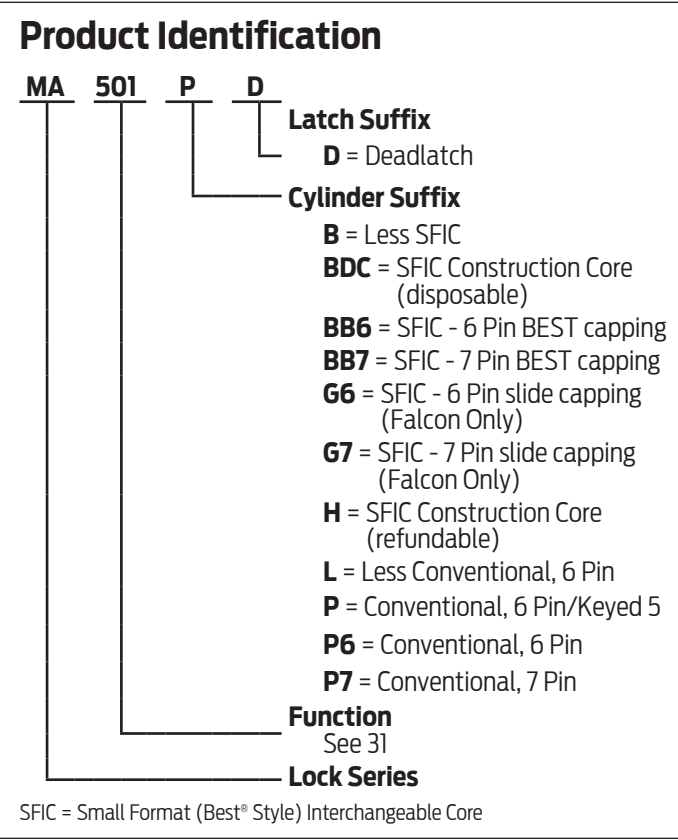
Section 6: Operating Instructions

- Cross keying reduces the security and expansion of key systems
- Unless otherwise specified, all hierarchical master keys will operate cross-keyed cylinders

Compatibility Chart

	5 Pin	6 Pin	7 Pin	Split Key	Block O-Key	Lost Ball	Tempe Core	A2	A4	0.025	0.018
Schlage											
Classic	X	X		X		X	X				
Everest 29 S		X		X			X				
Everest 29 T		X		X			X				
Everest 29 R			X				X	X			
Classic Primus (XP)		X					X				
Everest 29 Primus (XP)		X					X				
Falcon											
Open	X	X	X		X	X					X
Restricted		X	X		X	X				X	
Schlage C		X		X							
SFIC Open		X	X				X	X	X		
SFIC Restricted		X	X				X	X	X		

MA Series	
Function Chart	27
MA Complete Lock Pricing	29
Option	
Conventional Cylinder Options.....	33
SFIC Cylinder Options.....	33
Small Format Interchangeable Core.....	33
Small Format Constructoin Core	33
Strikes	34
Armor Fronts (Scalps)	34
Lock Less Components.....	37
Non-Standard Door Thickness.....	37
Abrasive Coating and Knurling.....	37
Lead Wrap.....	37
Allegion Connect.....	37
Indicators	37
MA Series Parts	
MA Series Parts.....	32
Full Body Mortise Deadlocks.....	32
Lock Cases	35
Knobs & Levers.....	35
Roses	35
Escutcheons.....	36
Screws and Screw Packs.....	36
Misc. Parts.....	36
Allegion Connect.....	37
Indicators	37
Trim Packs.....	38



Finish Codes and Descriptions

Code		Description
605	(US3)	Bright Brass
606	(US4)	Satin Brass
613	(US10B)	Oil Rubbed Bronze
619	(US15)	Satin Nickel
622	(US19)	Matte Black
625	(US26)	Bright Chrome
626	(US26D)	Satin Chrome
630	(US32D)	Satin Stainless Steel
643E	(US11)	Aged Bronze

Standard Features - Furnished unless otherwise specified

Certification	ANSI A156.13, Series 1000, Grade 1 Operation and Security, UL Listed for 3-Hour fire door with SFIC Interchangeable Core Cylinders: Grade 3 Security
Latch	2 piece stainless steel anti-friction bolt 3/4" projection.
Strike	1-1/4" x 4-7/8", ANSI, Square corner, with dust box
Cylinder	6-Pin, Solid brass, Keyed 5-Pin, Falcon G keyway, Keyed different (KD)
Door Range	1-3/4" - 1-7/8" standard
Handing	RH is default. Can be specified on order or re- handed in-field
Keys	Two, Nickel silver cut keys per lock, Falcon G keyway

Prices subject to change without notice

MA Series

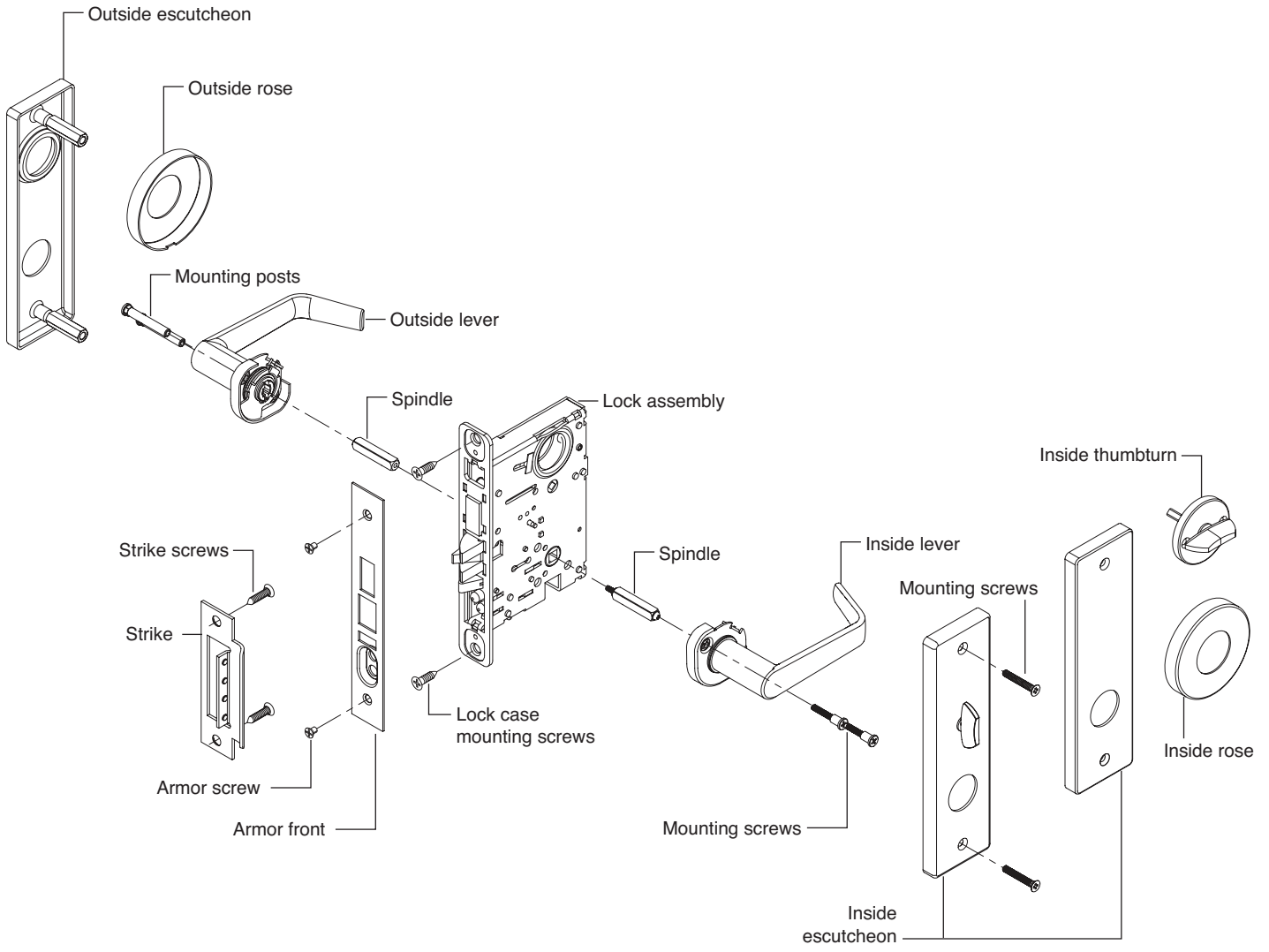
GRADE 1 MORTISE LOCK

LOCKS

Grade 1

Mortise

MA Series



Prices subject to change without notice

ANSI A156.13 Series 1000 Grade 1 Operation

Mortise

FALCON ANSI

MA101 F01



Passage/Closet Latchset

Latchbolt retracted by knob/lever from either side at all times. Inside knob/lever is always free for immediate egress.

MA161 F31



Connecting Room/Exit Latch

Latch bolt operated by knob/lever from inside. No trim outside. Auxiliary dead latch.

MA301 F02



Privacy Lock

Latch bolt operated by knobs/levers either side, dead bolt operated by turn from inside or by emergency release outside. Available with messaging indicator. Please specify.

MA311 F19



Privacy, Bedroom or Bath Lock

Latch bolt operated by knobs/levers. Dead bolt operated by turn from inside and emergency release outside. Rotating inside knob/lever retracts both bolts. Inside knob/lever is always free for immediate egress. Available with messaging indicator. Please specify.

MA321 F22



Privacy Lock

Latch bolt operated by knob/lever from either side except when outside knob/lever is locked by inside T-turn. Operating inside knob/lever, closing door or operating outside emergency release unlocks outside knob/lever. Inside knob/lever is always free for immediate egress. Available with messaging indicator. Please specify.

MA371* F14



Store Door Lock

Latch bolt operated by knobs/levers either side. Dead bolt by key from either side. Available with messaging indicator. Please specify.

MA381 F09



Apartment, Exit Lock

Latch bolt operated by knob/lever from either side, except when outside knob/lever is locked by key from inside. When outside knob/lever is locked, latch bolt is retracted by key from outside or by operating inside lever. Auxiliary dead latch. Inside knob/lever is always free for immediate egress.

Mortise

FALCON ANSI

MA411* F30



Asylum Lock

Latch bolt operated by key from either side. Both knobs/levers always inoperative. Auxiliary dead latch.

MA431 F34



Classroom Security Lock with Deadbolt

Latch bolt operated by knob/lever from either side except when outside knob/lever is locked from inside or outside by key. Dead bolt retracted by key from inside or outside. Operating inside knob/lever retracts both bolts and unlocks outside. Latch bolt dead locked when dead bolt is thrown. Inside knob/lever is always free for immediate egress. Available with messaging indicator. Please specify.

MA441 F32



Classroom Security Lock

Latch bolt operated by knob/lever from either side except when outside knob/lever is locked from inside or outside by key. When outside knob/lever is locked, latch bolt is retracted by key from inside or outside or by operating inside knob/lever. Auxiliary dead latch. Inside knob/lever is always free for immediate egress. Available with messaging indicator. Please specify.

MA451 F15



Hotel Guest Lock

Latch bolt operated by key from outside or by operating inside knob/lever. Outside knob/lever is always inoperative. Dead bolt projected by turn from inside and all keys except emergency key are shut out. Operating inside knob/lever retracts both bolts. Auxiliary dead latch. Inside knob/lever is always free for immediate egress. Using MA451 in conjunction with SFIC must use Falcon SFIC mortise housing and Falcon SFIC core. Available with messaging indicator. Please specify.

MA521 F04



Entry/Office Lock

Latch bolt operated by knob/lever from either side except when outside knob/lever is made inoperative by buttons in face. When outside knob/lever is locked, latch bolt is retracted by key from outside or by operating inside knob/lever. Auxiliary dead latch. Inside knob/lever is always free for immediate egress.

MA531 F20



Apartment Corridor Door Lock

Latch bolt operated by knob/lever from either side, except when outside knob/lever is made inoperative by buttons in face. Dead bolt operated by key outside or turn inside. Key outside operates both bolts. Operating inside knob/lever retracts both bolts and outside remains locked. Latch bolt is deadlocked when outside knob/lever is made inoperative or when the dead bolt is projected. When dead bolt is retracted, knob/lever is unlocked by buttons in face. Inside knob/lever is always free for immediate egress.

* **Caution:** Double cylinder locks on residences and any door, in any structure, which is used for egress are a life safety hazard in times of emergency and their use is not recommended. Installation should be in accordance with existing codes only.

Prices subject to change without notice

MA-Series - Functions

LOCKS

Grade 1

Mortise

MA Series

ANSI A156.13 Series 1000 Grade 1 Operation

Mortise
FALCON ANSI

MA541* F21



Entry or Office Lock

Latchbolt retracted by knob/lever from either side. Deadbolt thrown or retracted by key outside or thumbturn inside. Available with messaging indicator. Please specify.

MA551 F06

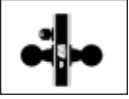


Holdback Lock

Latch bolt operated by lever from either side except when outside lever is locked from outside by key. Latch bolt can be locked in a retracted position by key. When outside lever is locked, latch bolt is retracted by key from outside or by operating inside lever unless latch bolt has been locked in a retracted position. Auxiliary dead latch. Inside knob/lever is always free for immediate egress.

Note: Chassis is handed

MA561 F05



Classroom Lock

Latchbolt operated by knob/lever from either side except when outside knob/lever is locked by key. When outside knob/lever is locked, latchbolt is retracted by key from outside or by operating inside knob/lever. Auxiliary latch deadlocks latchbolt when door is closed. Inside knob/lever is always free for immediate egress.

MA571 F13



Dormitory or Exit Lock

Latch bolt operated by knob/lever from either side. Dead bolt projected by key from outside and turn from inside. Operating inside knob/lever retracts both bolts and unlocks outside. Inside knob/lever is always free for immediate egress. Available with messaging indicator. Please specify.

MA581 F07



Storeroom Lock

Latch bolt operated by key from outside or by operating inside knob/lever. Outside knob/lever is always inoperative. Auxiliary dead latch. Inside knob/lever is always free for immediate egress.

MA621 F08/F10



Apartment Corridor Lock

Latch bolt is operated by knob/lever from either side, except when outside knob/lever is made inoperative by buttons in face. Dead bolt is operated by turn inside. Key outside operates both bolts. Inside knob/lever is always free for immediate egress.

MA641



Dormitory Lock

Latch bolt by knob/lever inside and key outside. Inside knob/lever free. Outside knob/lever rigid. Dead bolt by key outside or T-turn inside. Rotating inside knob/lever retracts both bolts. Deadlocking latch. Inside knob/lever is always free for immediate egress. Available with messaging indicator. Please specify.

Mortise
FALCON ANSI
MA851-12
MA851-24



Storeroom-Fail Safe EL

Latch bolt operated by knob/lever from either side except when outside knob/lever is electrically locked. When outside knob/lever is locked, latch bolt retracted by key in outside cylinder. Deadlocking latch. Specify 12 or 24V DC. Inside knob/lever is always free for immediate egress.

MA851-12RX
MA851-24RX



Storeroom-Fail Safe EL w/ MA851-24RX Request to Exit (RX)

Latch bolt operated by knob/lever from either side except when outside knob/lever is electrically locked. When outside knob/lever is locked, latch bolt retracted by key in outside cylinder. RX monitors lever rotation from both sides. Compatible with normally open systems. Deadlocking latch. Specify 12 or 24V DC. Inside knob/lever is always free for immediate egress.

MA881-12
MA881-24



Storeroom-Fail Secure EU

Latchbolt operated by knob/lever from inside except when outside knob/lever is electrically unlocked, then knob/lever from either side. When locked, key in outside cylinder retracts latch bolt. Specify 12 or 24V DC. Deadlocking latch. Inside knob/lever is always free for immediate egress.

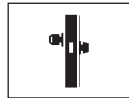
MA881-12RX F15
MA881-24RX



Storeroom-Fail Secure EU

Latchbolt operated by knob/lever from inside except when outside knob/lever is electrically unlocked, then knob/lever from either side. When locked, key in outside cylinder retracts latch bolt. RX monitors lever rotation from both sides. Compatible with normally open systems. Deadlocking latch. Specify 12 or 24V DC. Inside knob/lever is always free for immediate egress.

MA911



F29 Classroom Dead Lock

Key from outside operates dead bolt. Turn from inside retracts but does not project dead bolt.

MA921



F18 Outside Only Deadlock

Dead bolt by key outside only. Available with messaging indicator. Please specify.

MA931*



F16 Two-sided Deadlock

Dead bolt by key from either side. Available with messaging indicator. Please specify.

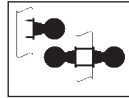
MA941



F17 Deadlock w/ inside turn

Dead bolt by key outside or turn inside. Available with messaging indicator. Please specify.

MA12/MA18

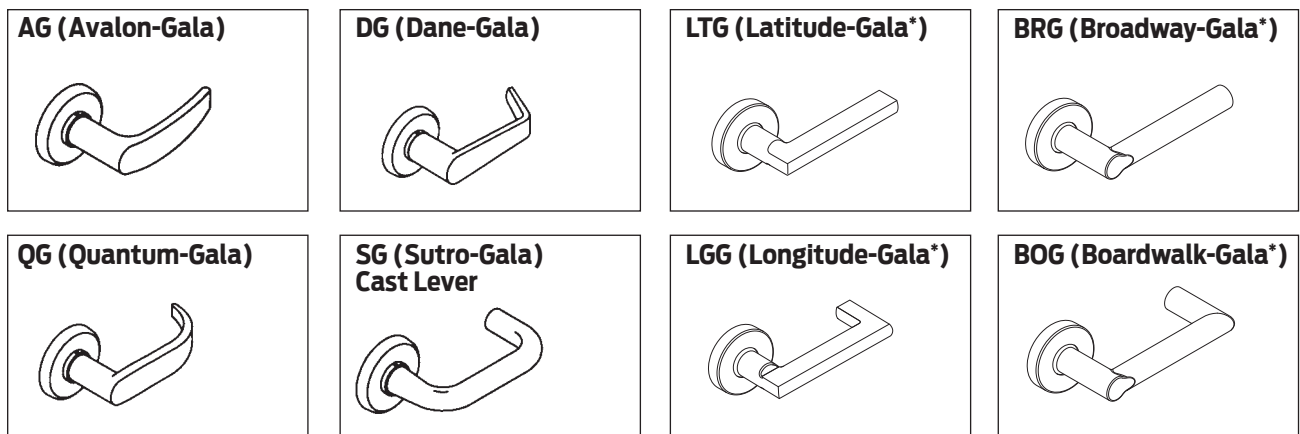


Dummy Trim

Single or double available.
Single (MA12)
Double (MA18)

* **Caution:** Double cylinder locks on residences and any door, in any structure, which is used for egress are a life safety hazard in times of emergency and their use is not recommended. Installation should be in accordance with existing codes only. No Immediate Egress.

Prices subject to change without notice



LOCKS

Grade 1

Mortise

MA Series

MA Lever/Rose Styles		Designs and Finishes								
Function	Description	AG DG QG SG** LTG* LGG* BRG* BOG*								
		626	643E	605	606	613	619	622	625	630*
Single Cylinder Functions										
MA521P	Entry/Office									
MA551P	Holdback									
MA561P	Classroom		\$614.00						\$626.00	
MA581P	Storeroom									
MA541P	Entry/Office									
MA571P	Dormitory Exit		634.00						646.00	
MA531P	Apartment Corridor									
MA621P	Front Door		627.00						639.00	
MA641P	Dormitory									
MA451P	Hotel		792.00						804.00	
MA851P-12 or -24 ¹	Elect. Storeroom (Fail Safe)									
MA881P-12 or -24 ¹	Elect. Storeroom (Fail Secure)		832.00						844.00	
MA851P-12RX or -24RX ¹	Elect. Storeroom (Fail Safe) w/ RX									
MA881P-12RX or -24RX ¹	Elect. Storeroom (Fail Secure) w/ RX		1,033.00						1,045.00	
Double Cylinder Functions										
MA371P	Store Door									
MA381P	Apartment /Exit									
MA411P	Asylum		\$675.00						\$687.00	
MA441P	Classroom Security									
MA431P	Classroom Security with deadbolt		694.00						706.00	
CAUTION: Double cylinder locks on residences and any door in any structure which is used for egress are a life safety hazard in times of emergency and their use is not recommended. Installation should be in accordance with existing codes only.										
Non-Keyed Functions										
MA101	Passage		\$479.00						\$491.00	
MA161	Exit/Connecting		389.00						401.00	
MA301	Privacy		552.00						564.00	
MA311	Privacy		634.00						646.00	
MA321	Privacy		551.00						563.00	
MA12	Half Dummy		171.00						183.00	
MA18	Full Dummy		348.00						360.00	

Note: 1) Specify 12 or 24VDC. Default is 12V.

Power supply PS902 will be sufficient to operate an individual lock for multiple lock installation - see Power Supply section.

* Latitude, Longitude, Broadway and Boardwalk levers not available in 630 finish.

** Sutro-Gala trim not available in 619, 622 or 643e finishes.

Prices subject to change without notice

MA-Series - Complete Locks

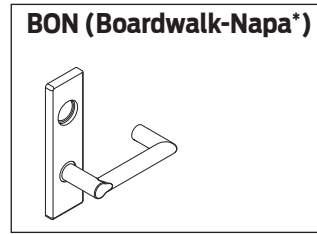
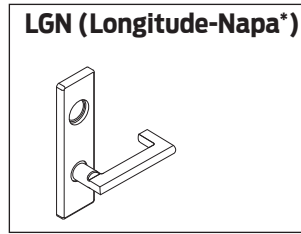
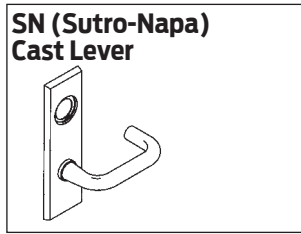
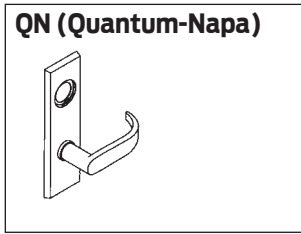
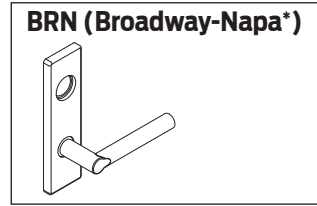
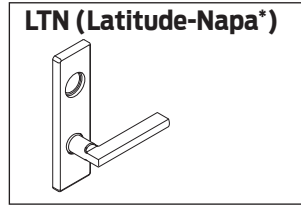
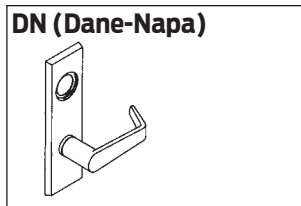
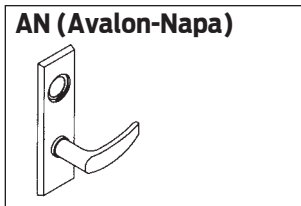
Grade 1 Mortise Locks with Cast/Forged or Heavy Wrought Trim ANSI-A156.13, SERIES 1000, GRADE 1

LOCKS

Grade 1

Mortise

MA Series



MA Lever Escutcheon Styles

Function	Description	Designs and Finishes							
		AN DN QN SN** LTN* LGN* BRN* BON*							
		626	643E	605	606	613	619	622	625 630
Single Cylinder Functions									
MA521P	Entry/Office								
MA551P	Holdback								
MA561P	Classroom		\$659.00					\$671.00	
MA581P	Storeroom								
MA541P	Entry/Office								
MA571P	Dormitory Exit		679.00					691.00	
MA531P	Apartment Corridor								
MA621P	Front Door		672.00					684.00	
MA641P	Dormitory								
MA451P	Hotel		837.00					849.00	
MA851P-12 or -24 ¹	Elect. Storeroom (Fail Safe)		877.00					889.00	
MA881P-12 or -24 ¹	Elect. Storeroom (Fail Secure)								
MA851P-12RX or -24RX ¹	Elect. Storeroom (Fail Safe) w/ RX		1,078.00					1,090.00	
MA881P-12RX or -24RX ¹	Elect. Storeroom (Fail Secure) w/ RX								
Double Cylinder Functions									
MA371P	Store Door								
MA381P	Apartment/Exit								
MA411P	Asylum		\$720.00					\$732.00	
MA441P	Classroom Security								
MA431P	Classroom Security with deadbolt		739.00					751.00	
CAUTION: Double cylinder locks on residences and any door in any structure which is used for egress are a life safety hazard in times of emergency and their use is not recommended. Installation should be in accordance with existing codes only.									
Non-Keyed Functions									
MA101	Passage		\$524.00					\$536.00	
MA161	Exit/Connecting		434.00					446.00	
MA301	Privacy		597.00					609.00	
MA311	Privacy		679.00					691.00	
MA321	Privacy		596.00					608.00	
MA12	Half Dummy		216.00					228.00	
MA18	Full Dummy		393.00					405.00	

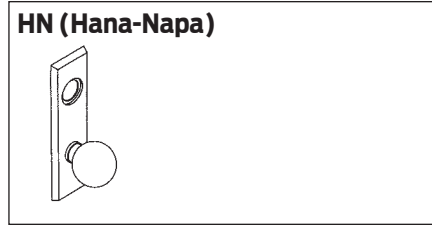
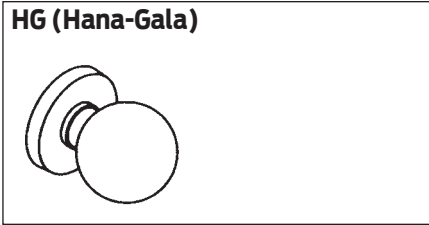
Note: 1) Specify 12 or 24 VDC.

Power supply PS902 will be sufficient to operate an individual lock for multiple lock installation - see Power Supply section.

* Latitude, Longitude, Broadway and Boardwalk levers not available in 630 finish.

** Sutro-Napa trim not available in 619, 622 or 643e finishes.

Prices subject to change without notice



MA Knob Styles – Hana

Function	Description	Designs and Finishes			
		HANA – GALA		HANA – NAPA	
		626	630	626	630
Single Cylinder Functions					
MA521P	Entry/Office	\$514.00	\$526.00	\$559.00	\$571.00
MA551P	Holdback				
MA561P	Classroom				
MA581P	Storeroom	534.00	546.00	579.00	591.00
MA541P	Entry/Office				
MA571P	Dormitory Exit				
MA531P	Apartment Corridor	527.00	539.00	572.00	584.00
MA621P	Front Door				
MA641P	Dormitory				
MA451P	Hotel	692.00	704.00	737.00	749.00
MA851P-12 or -24 ¹	Elect. Storeroom (Fail Safe)	732.00	744.00	777.00	789.00
MA881P-12 or -24 ¹	Elect. Storeroom (Fail Secure)				
MA851P-12RX or -24RX ¹	Elect. Storeroom (Fail Safe) w/ RX	933.00	945.00	978.00	990.00
MA881P-12RX or -24RX ¹	Elect. Storeroom (Fail Secure)w/ RX				
Double Cylinder Functions					
MA371P	Store Door	\$575.00	\$587.00	\$620.00	\$632.00
MA381P	Apartment/Exit				
MA411P	Asylum				
MA441P	Classroom Security	594.00	606.00	639.00	651.00
MA431P	Classroom Security with deadbolt				
CAUTION: Double cylinder locks on residences and any door in any structure which is used for egress are a life safety hazard in times of emergency and their use is not recommended. Installation should be in accordance with existing codes only.					
Non-Keyed Functions					
MA101	Passage	\$379.00	\$391.00	\$424.00	\$436.00
MA161	Exit/ Connecting	289.00	301.00	334.00	346.00
MA301	Privacy	452.00	464.00	497.00	509.00
MA311	Privacy	534.00	546.00	579.00	591.00
MA321	Privacy	451.00	463.00	496.00	508.00
MA12	Half Dummy	71.00	83.00	116.00	128.00
MA18	Full Dummy	248.00	260.00	293.00	305.00

Note: 1) Specify 12 or 24VDC. Default is 12V.
Power supply PS902 will be sufficient to operate an individual lock for multiple lock installation - see Power Supply section.

Prices subject to change without notice

MA-Series - Deadlocks and Cylinders

LOCKS

MA Series Mortise Deadlocks - Escutcheon Only (No Knob or Lever Trim)

Function	Description	List Price			
		626, 643E	605 606 613 619 622 625 630		
MA911P	Classroom Deadlock	\$511.00	\$517.00		
MA921P	Deadlock by key outside	474.00	480.00		
MA931P**	Deadlock by key from either side, Double Cylinder lock	510.00	516.00		
MA941P	Single Cylinder, Thumbturn inside	596.00	602.00		

****CAUTION:** Double cylinder locks on residences and any door in any structure which is used for egress are a life safety hazard in times of emergency and their use is not recommended. Installation should be in accordance with existing codes only.

Notes: If ordered with Napa Escutcheon Trim - add \$140 (both sides will be included)

1) Deadlock case comes with appropriate scalp (front).

Grade 1

Conventional Mortise Cylinders

Pins	Length	Description	Number	626 643e	605 606 613 619 622 625 630
5 or 6	1-1/8	Mortise	985	\$65.00	\$69.00
	1-1/4		986		
5, 6, or 7	1-3/8	Mortise	987	65.00	69.00
	1-1/2		988	85.00	89.00
	1-3/4		990	108.00	112.00
	2		992	113.00	117.00
	6		1-1/8	Mortise, hotel function*	250
6	1-1/4	251			
6	1-3/8	252			
7	1-3/8	253			
-	1-1/8	Mortise thumbturn cylinder **	985T	101.00	105.00
	1-1/4		986T		
-	1	Dummy	984D	39.00	43.00
	1-1/8		985D		

* Hotel mortise cylinder are only offered as Master keyed or 6-pin 0-bitted and must be specified. If not specified, 0-bitted furnished.

** Important: When using 985T or 986T Falcon mortise thumbturn cylinder, if the turn is left in the 180 position it could interfere with cylinder retraction on the outside.

Notes: 1) Cylinders are furnished 5-pin G keyway, keyed differently unless otherwise specified.

2) Restricted sections see page 131. See Keys & Keying for standard keyways. Contact 877-671-7011 for availability.

3) MA cam (5622-STD) provided unless otherwise specified.

4) For 7-pin conventional add \$12.30.

5) All mortise cylinders will be furnished with cam 5622-STD, except for MA381 function which will be supplied with 5620-STD and 5621-STD. See page 142 for additional available cams.

6) Mortise and rim cylinders are not available in any competitor keyway.

7) 984D, 985D not available in 629 and 630.

8) Conventional mortise cylinder with Schlage C keyway are available with the following cams only, 5622-STD & B502-191. Specify XQ11-949 when ordering with cylinder dogging. MA451 (Hotel Function) is not available in Schlage C keyway for conventional cylinders.

9) Add \$11.30 (list) for Falcon restricted keyways. See page 4 for standard keyways. All others are restricted. Falcon conventional cylinder restricted keyways use a unique pin kit (P/N 1417) and cutter wheel for keys.

10) 985T is not available in 619, 622, 625 and 643e.

Mortise

MA Series

SFIC MA Series housings only

Cat. Number	Length	Pins	Description	626, 643E	605 606 613, 619 622 625 630
C987-xx	1 3/8"	6 or 7	Mortise	\$39.00	\$41.00
C988-xx	1 1/2"	6 or 7	Mortise		
C990-xx	1 3/4"	6 or 7	Mortise	50.00	52.00
C992-xx	2"	6 or 7	Mortise	53.00	55.00
C997-xx	1 3/8"	6 or 7	Mortise, unassembled, less cam	25.00	27.00
C262-xx	1 5/8"	6 or 7	Mortise, hotel function RH	70.00	72.00
C265-xx	1 5/8"	6 or 7	Mortise, hotel function LH		

Notes: 1) All mortise cylinders will be furnished with cam 5622-IC, except for MA381 function which will be supplied with 5620-IC and 5621-IC. See page 142 for additional available cams.

2) C977 is only furnished with 012667-001 Adams Rite Cam.

3) 625 finish only available on C997-xx.

Prices subject to change without notice

Conventional Cylinder options		
Description	Specify	Add to Lock Price
5 pinned cylinder	P Suffix Example: MA581P	STD
6 pinned cylinder	P6 Suffix Example: MA581P6	N/C
7 pinned cylinder	P7 Suffix Example: MA581P7	\$12.30
6 pinned Competitor keyway cylinders*	P6 Suffix Example: MA581P6 (0 Bitted, KD, KA4 only)	7.00

* Competitor keyways are furnished 0 bitted, unless otherwise specified. Not available Master keyed.

- Notes:**
- 1) Finishes: 606, 622, & 626 only
 - 2) Specify keyway
 - 3) Cylinders are furnished G keyway, keyed differently unless otherwise specified.
 - 4) Restricted sections add \$11.30 to list price. See page 4 for list of standard keyways. All other keyways are considered restricted. Contact 877-671-7011 for availability.
 - 5) 622 Finish is available only on Allegion cylinders (P, P6, & P7) in C & G Keyways.

Small Format Interchangeable Core and Small Format Construction Core		
Description	Specify	Add to Lock Price (per core)
Small format core (BEST Style) *	BB6/7 Suffix Example: MA581BB6	\$46.00
Small format core (Best Falcon Style) *	G6/7 Suffix Example: MA581G6	
Small format construction core **	H Suffix Example: MA581HD	46.00
Less Small format core	B Suffix Example: MA581BD	N/C
Small format disposable core	BDC Suffix Example: MA581BDC	N/C

* Keying must be specified

** Locks are assessed one non-refundable handling charge (50-231F) per core.

- Note:**
- 6) Control keys are not furnished with locks and must be ordered separately. See page 141 for details.
 - 7) 622 Finish is available only on SFIC (G) in C & G Keyways.
 - 8) Using MA451 in conjunction with SFIC must use Falcon SFIC mortise housing and Falcon SFIC core.

Prices subject to change without notice

MA-Series - Strikes and Armor Fronts

LOCKS

MA-Series Strikes with Locks

Descriptions	Lip Length	Specify	Add to Lock Price
			605, 606, 613 622, 625, 626, 643E
Standard - 1-3/4" Door Thickness	1-1/4"	A8737-1	N/C
Optional - 2" Door Thickness	1-7/16"	A8737-2	
Optional - 2-1/4" Door Thickness	1-9/16"	A8737-3	
Optional - 2-1/2" Door Thickness	1-11/16"	A8737-4	
Optional - 1-3/4" Door Thickness	7/8"	A8737-5	

MA-Series Strikes Sold Separately

Descriptions	Lip Length	Specify	Price
			605, 606, 613 622, 625, 626, 643E
Standard - 1-3/4" Door Thickness	1-1/4"	A8737-1	\$25.10
Optional - 2" Door Thickness	1-7/16"	A8737-2	32.90
Optional - 2-1/4" Door Thickness	1-9/16"	A8737-3	
Optional - 2-1/2" Door Thickness	1-11/16"	A8737-4	
Optional - 1-3/4" Door Thickness	7/8"	A8737-5	

Note: Strikes for MA locks with finishes 629 and 630 are supplied in 625 and 626.

MA-Series Armor Fronts (Scalps) Sold Separately

Descriptions	Part Number	Price
		605, 606, 613 622, 629, 630, 643E
MA101, 321	S77801-LL	\$46.20
MA521	S77804-LL	
MA161, 381, 411, 441, 561, 581, 851, 881, 551	S77805-LL	
MA621	S77811-LL	
MA451, 641	S77815-LL	
MA911, 921, 931, 941	S77816-LL	
MA301, 311, 371, 541, 571, 431	S77819-LL	
MA531	S77820-LL	

- Notes:** 1) Armor front is included in complete MA lock
 2) Screws not provided with armors or strikes when ordered separately.
 Please order S76300 if additional screws are required.

Prices subject to change without notice

MA-Series Lock Case		
Part Number	Description	List Price
A7801-xx	MA101	\$122.00
A7831-xx	MA161	215.00
A7802-xx	MA301	108.00
A7819-xx	MA311	198.00
A7822-xx	MA321	107.00
A7814-xx	MA371	210.00
A7809-xx	MA381	210.00
A7830-xx	MA411	210.00
A7815-xx	MA451	347.00
A7804-xx	MA521	206.00
A7820-xx	MA531	173.00
A7821-xx	MA541	173.00
A7805-xx	MA561, 441	210.00
A7813-xx	MA571, 431	230.00
A7807-xx	MA581	206.00
A7808-xx	MA621	166.00
A7815-xx	MA641	347.00
A7806-xx	MA551	206.00
A7851-12-xx	MA851 12V	446.00
A7851-24-xx	MA851 24V	446.00
A7881-12-xx	MA881 12V	446.00
A7881-24-xx	MA881 24V	446.00
A7851-12RX-xx	MA851 12V RX	667.00
A7851-24RX-xx	MA851 24V RX	667.00
A7881-12RX-xx	MA881 12V RX	667.00
A7881-24RX-xx	MA881 24V RX	667.00
A7829-xx	MA911	272.00
A7816-xx	MA921, 931, 941	208.00

Notes: 1) xx Specify handing: RH= Right hand. LH= Left hand. RR = Right hand reverse. LR = Left hand reverse.
 2) Does not include armor front

MA-Series Lever & Knob Assemblies					
Part Number	Description	List Price			
		626	643E	605 606 613 619 622 625 630	
AS76029-L/RH	Avalon, sectional trim				
AS76140-L/RH	Quantum, sectional trim				
AS76526-L/RH	Sutro, sectional trim				
AS76280-L/RH	Dane, sectional trim				
AS76100-L/RH	Hana, sectional trim (only available in 626 and 630 finish)				
AS76321-L/RH	Broadway, sectional trim (Not available in 630 finish)				
AS76310-L/RH	Boardwalk, sectional trim (Not available in 630 finish)				
AS76360-L/RH	Latitude, sectional trim (Not available in 630 finish)				
AS76760-L/RH	Longitude, sectional trim (Not available in 630 finish)				
AE77321-L/RH	Broadway, escutcheon trim (Not available in 630 finish)				
AE77310-L/RH	Boardwalk, escutcheon trim (Not available in 630 finish)				
AE77360-L/RH	Latitude, escutcheon trim (Not available in 630 finish)				
AE77760-L/RH	Longitude, escutcheon trim (Not available in 630 finish)				
AE77029-L/RH	Avalon, escutcheon trim				
AE77140-L/RH	Quantum, escutcheon trim				
AE77526-L/RH	Sutro, escutcheon trim				
AE77280-L/RH	Dane, escutcheon trim				
AE77100-L/RH	Hana, escutcheon trim (only available in 626 and 630 finish)				

Notes: 3) Specify finish and handing
 4) Lever/knob assemblies include one lever/knob assembly with spring cage.

IMPORTANT NOTE: The Hana knob design assemblies are only available in 626 and 630 finishes.

MA-Series Rose			
Part Number	Description	List Price	
		626 643E	605 606 613 619 622 625 630
S76012	Rose, Gala	\$34.80	\$37.80
AS76853	Emergency Coin Turn Rose Turn for MA 301/311/321	36.00	39.00
AS75319	Thumbturn assembly for sectional trim for MA 301/311/321 when door thickness is less than 2"		
AS76319	Thumbturn Assembly for sectional trim for all functions except MA 301/311/321 when door thickness is less than 2"	36.00	39.00

Notes: 5) Specify finish

MA-Series ROSE with INDICATOR			
Part Number	Description	List Price	
		626	630
AE55012-OT	Outside indicator, sectional trim, MA301/311/321.		
AE55012-OC	Outside Indicator, sectional trim, All functions except MA 301/311/321/441.	\$104.00	\$107.00

Notes: 6) Specify finish

Prices subject to change without notice

MA-Series - Trim, Screws and Parts

LOCKS

MA-Series Escutcheons		
Part Number	Description	List Price
		626 643E 605 606 613 619 622 625 630
AE77012-OP	Napa, Outside lever opening	\$82.60 \$85.60
AE77012-OC	Napa, Outside Cylinder and lever openings	
AE77012-OK	Napa, Outside Cylinder only opening	
AE77012-OT	Napa, Outside Emergency key and lever opening	
E77012-IP	Napa, Inside lever opening	
E77012-IB	Napa, inside Blank, no lever opening	99.10 102.10
AE77012-IT	Napa, Inside lever opening with thumbturn attached	
AE77012-IE	Napa, Inside no lever opening with thumbturn attached	
E77012-IC	Napa, Inside Cylinder and lever opening	102.00 105.00
E77012-IK	Napa, Inside Cylinder only opening	

Note: 1) Specify finish

Grade 1

MA-Series ESCUTCHEONS with INDICATOR		
Part Number	Description	List Price
		626 630
AE87012-OT	Napa, outside indicator escutcheon trim, MA301/311/321. Vacant/Occupied.	\$123.00 \$126.00
AE87012-OK	Napa, outside indicator escutcheon trim, MA911/921/931/941. Vacant/Occupied.	
AE87012-OC	Napa, outside indicator escutcheon trim, all other functions. Vacant/Occupied.	
AE87012-IC	Napa, inside indicator escutcheon trim, MA441. Vacant/Occupied.	

Note: 2) Specify finish

Mortise

MA Series

MA-Series Screw Packs		
Part Number	Description	List Price
		606 613 622 630
S76300	1-3/4" - 1-7/8" door thickness, sectional trim with levers	\$26.90
S76301	Over 1-7/8" - 2-1/2" door thickness, sectional trim with levers	
E77301	Over 1-7/8" - 2-1/2" door thickness, escutcheon trim with levers	
E77303	Over 1-7/8" - 2-1/2" door thickness, escutcheon trim with knobs	
S76306	Torx screw pack, sectional trim, no turn	
S76307	Torx screw pack, sectional trim, with turn	
E77306	Torx screw pack, escutcheon trim, standard	
E77307	Torx screw pack, escutcheon trim, over 1-7/8" - 2-1/2" door thickness	
S76302	1-3/4" - 1-7/8" door thickness, sectional trim with knobs	
S76303	Over 1-7/8" - 2-1/2" door thickness, sectional trim with knobs	
E77300	1-3/4" - 1-7/8" door thickness, escutcheon trim with levers	
E77302	1-3/4" - 1-7/8" door thickness, escutcheon trim with knobs	

Notes: 3) Specify finish (Screw packs not available in 622 finish)
 4) Non torx screw packs contains armor front screws, strike screws, trim screws, mortise screws, spindle, mounting posts
 5) Torx screw packs contain armor front, strike and trim screws only

MA/M-Series Miscellaneous Parts		
Part Number	Description	List Price
PE1396	Dust Box, standard with lock	\$5.70
005099-000-30	Metal Dust Box	10..80
S76806	Spindles (2) for lever on standard door thickness or knob on door thickness 1-7/8" - 2-1/2"	7.30
S76816	Spindles (2) for lever on door thickness 1-7/8" - 2-1/2"	7.30
S76206	Spindles (2) for knob on standard door thickness	7.30
S76802	Spindles (2) for connecting door, MA161	7.30
AS5813	Mounting plate for use with no outside trim	19.30
030057-002	Replacement M lock lever return spring*	10.40

Note 6): *Return spring is for the old Falcon M mortise lock not the current Falcon MA mortise lock.

Prices subject to change without notice

Locks Less Components		
Description	Specify	Deduct from Lock Price
Less each knob or lever	LLL for knob/lever design Example: MA581P LLL/DG x DG	\$29.00
Less each escutcheon	LLL for escutcheon design Example: MA581P DN x DN/LLL	29.40
Less each rose	LLL for rose design Example: MA581P DG x DG/LLL	7.50
Less standard cylinder	L suffix Example: MA581L DG	64.00
Less standard hotel cylinder	L suffix Example: MA451L DG	64.00
Less armor front	LLL for latch Example: MA581P DG 626 LLL 21315R	24.90
Less strike	LLL for strike Example: MA581P DG 626 20099 LLL	12.90

Notes: 1) MA-series locks ordered less all components will be furnished as lock cases. See page 35 for part numbers.
2) Sum of applicable deducts, use DG (Dane Gala) and specified finish for base price.

Non-Standard Door Thickness		
Description	Specify	Add to Lock Price
Over 1 7/8" – 2 1/2" thick doors	Door thickness and how door is extended Example: 2", EE	\$90.40

Notes: 3) Must indicate how lock will be extended: Extended Inside (EI) on non-thumb turn functions only
Extended Outside (EO) on all functions
Extended Equally (EE) on all functions
4) MA451 has maximum 1-3/4" door thickness

Abrasive (Available on Avalon, Dane, Quantum and Sutro)		
Description	Specify	Per Lever - Add to Lock Price
6 Prefix	Example: 6 DG for Dane Gala* * G6 Prefix (Abrasive) not available in 613	\$62.70

Note: 5) Abrasive option not available on Latitude, Longitude, Broadway, & Boardwalk levers.

Knurling (Available on Avalon, Dane, Hana, Quantum and Sutro)		
Description	Specify	Per Lever - Add to Lock Price
8 Prefix	Example: 8 DG for Dane Gala** **Knurling only available in 626 finish and levers only	\$93.60

Note: 6) Knurling option not available on Latitude, Longitude, Broadway, & Boardwalk levers.

Lead Wrap		
Description	Specify	Add to Lock Price
9 Prefix	Example: 9 DG for Dane Gala	\$201.00

Note: 7) Lead Wrap option not available on Latitude, Longitude, Broadway, & Boardwalk levers.

Allegion Connect		
Suffix		List Add
CON	Cross-category solution using common interconnect components for electrified options. Available on the MA851 and MA881 functions including all voltage (12 or 24) and RX options. <i>For wire harness options refer to Electronic Power Supplies section.</i>	N/C

Indicators		
Description	Specify	Add to Lock Price
OCCUPIED/VACANT message indicator. For Sectional and Escutcheon Trim	Add M Suffix to trim. Example: DGM for Dane Gala	\$102.00

Note: 8) Optional Vacant available on the following functions: MA301, MA311, MA321, MA371, MA431, MA451, MA541, MA571, MA641, MA921, MA931, MA941 on the outside of door.
Optional Vacant available on the following functions: MA441 on the inside of door.
Available in 626 (Satin Chrome) or 630 (Satin Stainless) finish only.

Prices subject to change without notice

MA-Series • Trim Packages

LOCKS

Grade 1

Mortise

MA Series

MA-Series Trim Packages			List Price	
Cat. Number	Function	Specify Style	626 643E*	605 606 613 619* 622* 625 630**
TP 50 S	101, 371, 381, 411, 431, 441, 521, 551, 561, 581, 851, 881	Dane, Sutro, Avalon, Quantum, Hana, Latitude, Longitude, Broadway, Boardwalk	\$335.00	\$347.00
TP 60 C	301, 311, 321	Dane, Sutro, Avalon, Quantum, Hana, Latitude, Longitude, Broadway, Boardwalk	365.00	377.00
TP 70 T	451, 531, 541, 571, 621, 641	Dane, Sutro, Avalon, Quantum, Hana, Latitude, Longitude, Broadway, Boardwalk	390.00	402.00
TP 55 E	101	Dane, Sutro, Avalon, Quantum, Hana, Latitude, Longitude, Broadway, Boardwalk	404.00	416.00
TP 65 E	311, 321, 301	Dane, Sutro, Avalon, Quantum, Hana, Latitude, Longitude, Broadway, Boardwalk	423.00	435.00
TP 75 E	431, 441, 411, 371, 381	Dane, Sutro, Avalon, Quantum, Hana, Latitude, Longitude, Broadway, Boardwalk		
TP 85 E	551, 881, 851, 581, 561, 521	Dane, Sutro, Avalon, Quantum, Hana, Latitude, Longitude, Broadway, Boardwalk		
TP 95 E	641, 541, 531, 571, 621, 451	Dane, Sutro, Avalon, Quantum, Hana, Latitude, Longitude, Broadway, Boardwalk		

Notes:

- S** = Sectional, No Thumbturn, up to 2 cylinders
- C** = Sectional, Thumbturn, no cylinder
- T** = Sectional, Thumbturn & cylinder
- E** = Escutcheon Trim

IMPORTANT NOTE:
The Hana knob trim package is only available in 626 and 630 finish.

- 1)** Specify Lever/Knob style and finish
- 2)** Contains inside and outside trim, screw pack with mounting hardware
- 3)** If Abrasive option is required on trim package, add additional \$62.70 to list price. Not available on Latitude, Longitude, Boardwalk and Broadway levers.
- 4)** If Knurling option is required on trim package, add additional \$93.60 to list price. Not available on Latitude, Longitude, Boardwalk and Broadway levers.

* Sutro-Gala and Sutro-Napa Levers not available in 619, 622 or 643e finishes.
** Latitude, Longitude, Broadway and Boardwalk levers not available in 630 finish.

Prices subject to change without notice

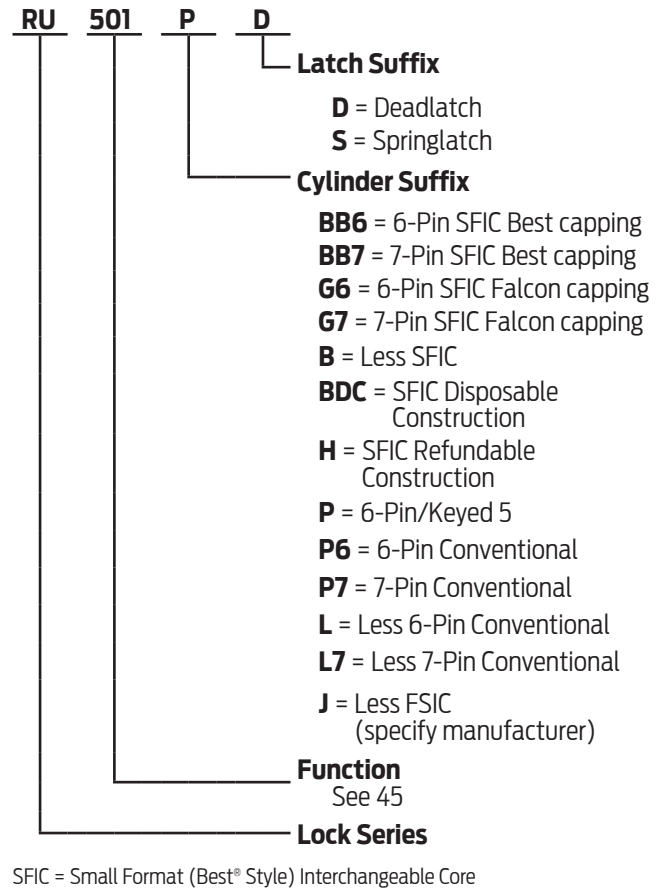
Table of Contents

Function Chart 41
Complete Lock Pricing 42
Order Detail 43

Options
 Latches 43
 Strikes 43
 Cylinder Requirements..... 45
 Competitor Cylinders..... 46

Parts
 Complete Cylinders 47
 Conventional Cylinder Options..... 47
 Lock Less Components 48
 Tactile Warning 48
 Lead Lining 48
 Levers 49
 Roses 49
 Misc. Parts..... 50
 Screws..... 50
 Tailpieces..... 51

Product Identification



Finish Codes and Descriptions

Code		Description
613	(US10B)	Oil Rubbed Bronze
626	(US26D)	Satin Chrome

Standard Features - Furnished unless otherwise specified



Certification	ANSI A156.2, Series 2000, Grade 1, UL Listed for 3-Hour fire door
Latch	1-1/8" x 2-1/4", Square corner faceplate, 1" housing diameter, 1/2" throw, 2-3/4" backset
Strike	1-1/4" x 4-7/8", ANSI, Square corner, with dust box
Cylinder	6-Pin, Solid brass, Keyed 5-Pin, Falcon G keyway, Keyed different (KD)
Door Range	1-3/4" - 2-1/8" standard
Keys	Two, Nickel silver cut keys per lock, Falcon G keyway

Prices subject to change without notice

RU Series

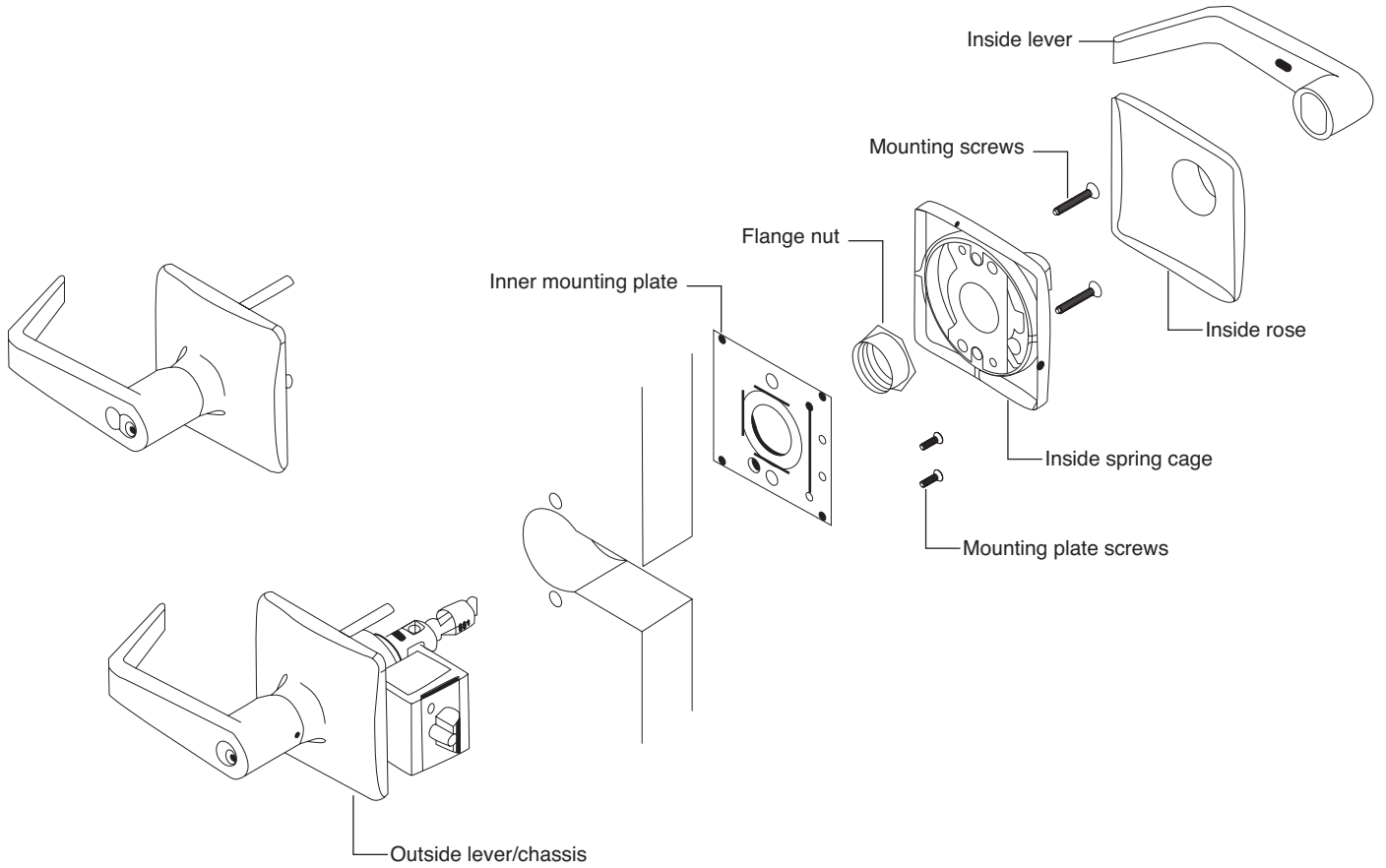
GRADE 1 PREASSEMBLED LOCK

LOCKS

Grade 1

Preassembled

RU Series



Prices subject to change without notice

ANSI A156.2, Series 2000 Grade 1

Retrofit Locks

FALCON ANSI

RU101 F36



Passage/Closet Latchset

Latch bolt by levers at all times.

RU301 F37



Privacy/Bedroom/Bath Lock

Latch bolt by levers. Outside lever locked by push button in inside lever. Rotating inside lever or closing door releases push button. Emergency release in outside lever unlocks door.

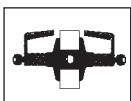
RU381 F45



Classroom Security Lock

Latchbolt operated by lever from either side except when key from inside lever locks outside lever. When outside lever is locked, latchbolt retracted by key in outside lever or by turning inside lever.

RU411



Asylum Lock*

Deadlocking latch bolt by key from either side at all times. Both levers inoperable.

RU501 F41



Entry Lock

Push button locking. Button on inside locks outside lever until unlocked by key or by rotating inside lever. Inside lever always free. Deadlocking latch bolt.

RU511 F40/F41



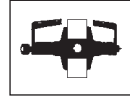
Entry/Office Lock

Turn/push button locking. Pushing and turning button locks outside lever requiring use of key until button is manually unlocked. Push button locking. Pushing button locks outside lever until unlocked by key or by rotating inside lever. Inside lever always free. Deadlocking latch bolt.

Retrofit Locks

FALCON ANSI

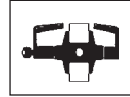
RU521



F40 Office Lock

Turn button locking. Turning button locks outside lever requiring use of key until button is manually unlocked. Inside lever always free. Deadlocking latch bolt.

RU561



F42 Classroom Lock

Deadlocking latch bolt by levers. Outside lever is locked by key in outside lever. Inside lever is always free.

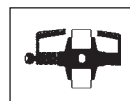
RU571



F48 Dormitory/Corridor Lock

Deadlocking latch bolt by levers except when locked by push button in inside lever. Key in outside lever locks or unlocks lever and releases button. Closing door releases push button. Inside lever always free.

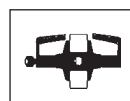
RU581



F44 Storeroom Lock

Deadlocking latch bolt by lever inside or key outside. Outside lever is inoperable. Inside lever always free.

RU851



Storeroom (Electrified-Fail Safe)

Latch bolt operated by lever from either side except when outer lever is electrically locked. When outer lever is locked (inoperable), latch bolt retracted by key in cylinder outside. 24 volt DC .185 Amps, continuous duty.

RU881



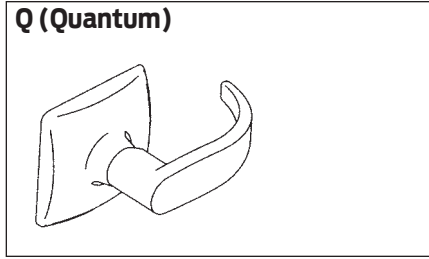
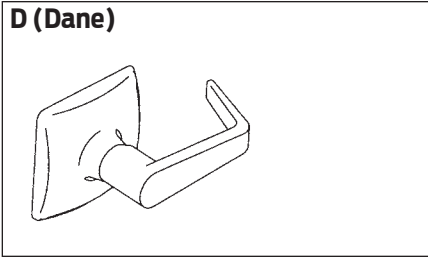
Storeroom (Electrified-Fail Secure)

Deadlocking latch bolt operated by lever inside at all times. Outside lever inoperable until electrically unlocked, then latch bolt from either side. When outside lever is inoperable, latch bolt retracted by key in cylinder outside. 24 volt DC .185 Amps, continuous duty.

* **Caution:** Double cylinder locks on residences and any door, in any structure, which is used for egress are a life safety hazard in times of emergency and their use is not recommended. Installation should be in accordance with existing codes only.

Prices subject to change without notice

LOCKS



Key-In-Lever

Function	Description	Designs and Finishes	
		D Q	D
		626	613
Single Cylinder Functions			
RU501PD	Entry	\$867.00	\$879.00
RU511PD	Entry/Office		
RU521PD	Entry/Office		
RU561PD	Classroom		
RU571PD	Dormitory/Corridor		
RU581PD	Storeroom		
Single Cylinder Functions - Electrified			
RU8511PD	Elec. Storeroom – Fail Safe	1,312.00	1,324.00
RU8811PD	Elec. Storeroom – Fail Secure		
Double Cylinder Functions			
RU381PD	Classroom Security	958.00	970.00
RU411PD	Asylum		
CAUTION: Double cylinder locks on residences and any door in any structure which is used for egress are a life safety hazard in times of emergency and their use is not recommended. Installation should be in accordance with existing codes only.			
Non-Keyed Functions			
RU101S	Passage	\$721.00	\$733.00
RU301S	Privacy	807.00	819.00

Grade 1

Preassembled

RU Series

Prices subject to change without notice

Latches with Locks					
Latch	Description	Door Thickness			Add to Lock Price
		1-3/4"	2"	2-1/4"	
314691	2-3/4" Latch height 1-3/4" x 1/2 Proj. Std.	Default			N/C
314692	2-3/4" Latch height 2-1/16" x 1/2 Proj.	•			N/C
314693	2-3/4" Latch height 2-5/8" x 1/2 Proj.	•			N/C
314694	2-3/4" Latch height 2-11/16" x 1/2 Proj.	•			N/C
315491	2-3/4" Latch height 1-3/4" x 3/4 Proj.	•			\$171.00
315492	2-3/4" Latch height 2-1/16" x 3/4 Proj.	•			171.00
315493	2-3/4" Latch height 2-5/8" x 3/4 Proj.	•			171.00
315494	2-3/4" Latch height 2-11/16" x 3/4 Proj.	•			171.00
316231	2-3/4" Latch height 1-3/4" x 1/2 Proj.		Default		N/C
316232	2-3/4" Latch height 2 1/16" x 1/2 Proj.		•		N/C
316233	2-3/4" Latch height 2 5/8" x 1/2 Proj.		•		N/C
316234	2-3/4" Latch height 2 11/16" x 1/2 Proj.		•		N/C
316241	2-3/4" Latch height 1-3/4" x 1/2 Proj.			Default	N/C
316242	2-3/4" Latch height 2 1/16" x 1/2 Proj.			•	N/C
316243	2-3/4" Latch height 2 5/8" x 1/2 Proj.			•	N/C
316244	2-3/4" Latch height 2 11/16" x 1/2 Proj.			•	N/C

Strikes with Locks		
Description	Specify	Add to Lock Price
ANSI, 1-1/4" x 4-7/8" standard	5164	N/C
Early Corbin Russwin single door	31471	
Early Corbin Russwin single door	31471S	
Early Corbin Russwin pair doors	31472	\$102.00
Yale Mono Pair of Doors	31473	
Early Corbin	31474	
Early Russwin Unit Lock	31477	
ANSI Dust Box 1" deep steel	005099-000 30	N/C
3/4 deep for 3-1/4" high strike, dust box	031453-000 30	2.50

Latches sold separate				
Finishes: 613, 626				
Backset	Description	Spring Latch	Dead Latch	List Price
2-3/4"	Latch height 1-3/4" x 1/2 Proj.	A31469-001	A31469-01D	\$108.00
	Latch height 2-1/16" x 1/2 Proj.	A31469-002	A31469-02D	142.00
	Latch height 2-5/8" x 1/2 Proj.	A31469-003	A31469-03D	149.00
	Latch height 2-11/16" x 1/2 Proj.	A31469-004	A31469-04D	
	Latch height 1-3/4" x 3/4 Proj.	-	A31549-01D	213.00
	Latch height 2-1/16" x 3/4 Proj.	-	A31549-02D	
	Latch height 2-5/8" x 3/4 Proj.	-	A31549-03D	
Latch height 2-11/16" x 3/4 Proj.	-	A31549-04D		

Strikes sold separate			
Finishes: 613, 626, 630			
Description	Lip Length	Specify	List Price
ANSI, 1-1/4" x 4-7/8" standard	1-3/16"	005164-000	\$14.80
Early Corbin Russwin single door (center line same as early Corbin Russwin)		031471-000	17.80
Early Corbin Russwin single door (center line is different than early Corbin Russwin)		031471-001	
Early Corbin Russwin pair doors		031472-000	95.50
Yale Mono Pair of Doors		031473-000	
Early Corbin		031474-000	
Early Russwin Unit Lock		031477-000	
ANSI Dust Box 1" deep steel		005099-000 30	10.80
3/4 deep for 3-1/4" high strike, dust box -		031453-000 30	2.50

Prices subject to change without notice

RU-Series - Order Detail

LOCKS

Grade 1

Preassembled

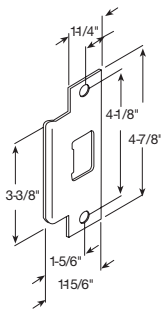
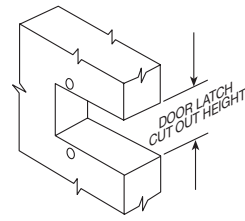
RU Series

Ordering Format

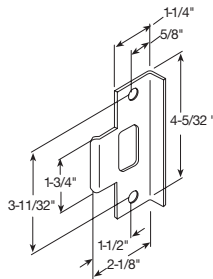
Qty.	Catalog Number	Trim Design	Finish	Latch Height	Strike Part No.	Hand	Cylinder	Other Requirements
8	RU521	D	626	1 ³ / ₄ "	031471-000	RH	Less	IC-CR Cylinder

When evaluating the retrofit requirements for an RU Series lockset, the following questions need to be answered.

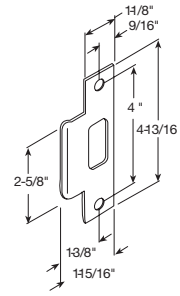
- Which manufacturer's unit lock is currently installed?
 - Russwin Corbin Corbin Russwin Yale Falcon
- What is the existing latch height? To determine latch height measure existing latch height as shown here:
 Latch heights currently identified and the manufacturer:
 1. 1³/₄" Most Corbin & Russwin sold 1949 thru current; Yale 6200
 2. 2¹/₁₆" Corbin, Falcon
 3. 2⁵/₈" Certain Corbin (O)2400 Series sold 1913-1953
 4. 2¹¹/₁₆" Russwin 2100 & 2800 Series sold 1904-1968
- What is the existing strike condition?



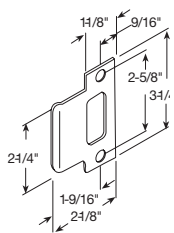
0005164-000



031477-000
Early Russwin
Unit Lock

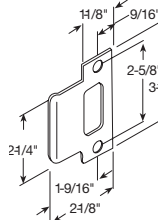


031474-000
Early Corbin



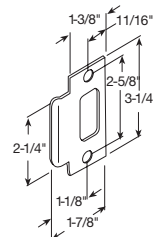
031471-000

Note: Strike, Door and Lock Same Center Line Early Corbin Russwin Single Door

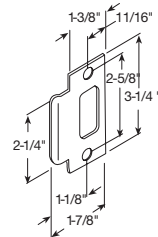


031471-001

Note: Strike Center Line is not the Same as Door and Lock Early Corbin Russwin Single Door



031472-000
Early Corbin Russwin
Pair of Doors



031473-000
Yale Mono
Pair of Doors

- What is the existing door thickness?
 Locks are for 1³/₄" thick doors only.

Prices subject to change without notice

Specify cylinder requirements.

Note: Locks furnished with Falcon's standard "G" keyway cylinder or prepared for Falcon interchangeable core unless otherwise specified.

With Cylinder

Falcon IC

- 6-pin
- 7-pin

Falcon Standard

- Schlage - C, 0 Bitted, KD, KA4
- Schlage - E, 0 Bitted
- 6-pin
specify keyway
- 7-pin
specify keyway

Competitors' Keyways - 6-pin Standard Cylinder*

- Corbin - 60, 0 Bitted, KD
- Russwin - D1, 0 Bitted, KD
- Sargent - LA, 0 Bitted, KD (Also accepts LB, LC keys)
- Yale - 8 (Para), 0 Bitted, KD

* Generic replacement cylinders with competitors' keyways.

Less Cylinder - Prepared to Accept**

Falcon IC

Falcon Standard

- 6-pin
- 7-pin

Unit / Mono Lock Cylinders

- Falcon Standard (R Series old small plug) 6-pin
- Corbin Russwin Unit Lock (2000-052) - Master Ring not available
- Medeco Unit Lock Retrofit Cylinder (20W5005) - Corbin Russwin Unit Lock
- Medeco Unit Lock Retrofit Cylinder (20W0500) - Yale 6200 Mono Lock
- Yale Mono Lock (1801) and later models

Competitors' Standard Cylinders

- Assa (65611 or 65661) 6-pin
- Corbin Russwin (2000-034 / CL3400) 6-pin - Master Ring not available
- Medeco (20W200V3) 6-pin
- tailpiece supplied by Medeco
- Falcon / Schlage style
- Peaks (Kaba) 6-pin
- Primus (Schlage) 6-pin
- Sargent (6, 7 & 10 Line) 6-pin - Keso not available
- Yale (1801) 6-pin - Bicentric not available

Competitors' IC

- Arrow 6, 7-pin
- Assa (70600IC & V70600IC) 6-pin
- Best 6, 7-pin
- Corbin Russwin (8000) 6-pin
- Corbin Russwin (8000-7) 7-pin
- InstaKey
- Medeco 31 Series 6-pin
- Medeco 32 Series 6-pin
- Medeco Keymark 6, 7-pin
- Peaks (Kaba) 6, 7-pin
- Primus (Schlage) 6-pin
- Sargent (6300) 6-pin
- Schlage 6-pin
- Yale (1210) 6-pin

** Proper tailpiece supplied unless otherwise noted.

LOCKS

Grade 1

Preassembled

RU Series

Prices subject to change without notice

Compatibility with Competitors' I-Cores



Falcon's standard interchangeable core option. Specify 6 or 7-pin.
Locksets with this option also accept Schlage SFIC, Arrow (including Flex Core), Best (including PKS & Peaks), InstaKey, Kaba Peaks, Keymark and KSP cores.

The following larger format interchangeable cores will work with the T Series locksets when lockset is so specified:



Asa
old and new style
Specify IC-AS



Corbin Russwin
8000 or 8000-7
Specify IC-CR6
or IC-CR7



Medeco
32 Series 6-pin
Specify IC-ME



Medeco
31 Series 6-pin
Specify IC-YA6



Sargent
6300
Specify IC-SA



Schlage 6-pin
including Primus
Specify IC-SC



Yale 6-pin
Specify IC-YA6

Compatibility with Competitors' Standard Cylinders

The RU Series is furnished with Falcon's standard "G" keyway cylinder unless otherwise specified. The RU Series accepts the following competitors' standard 6-pin cylinders.

- Asa (65611 or 65661) 6-pin
- Corbin Russwin (2000-034 / CL3400) 6-pin - Master Ring not available
- Medeco (20W200V3) 6-pin
- tailpiece supplied by Medeco
- Falcon / Schlage style
- Peaks (Kaba) 6-pin
- Primus (Schlage) 6-pin
- Sargent (6, 7 & 10 Line) 6-pin - Keso not available
- Schlage 6-pin
- Yale (1801) 6-pin - Bicentric not available

Prices subject to change without notice

RU Series - Complete Cylinders		
Cylinder Mechanism	Part Number	Price Each
5 pin cylinder RU series (except 381 IS, 571)	A23151-05	\$57.00
5 pin cylinder RU series 381 IS	A23151-06	
5 pin cylinder RU series 571	A23151-07	
6 pin cylinder RU series (except 381 IS, 571)	A23161-05	
6 pin cylinder RU series 381 IS	A23161-06	
6 pin cylinder RU series 571	A23161-07	
7 pin cylinder RU series (except 381 IS, 571)	A23171-05	72.00
7 pin cylinder RU series 381 IS	A23171-06	
7 pin cylinder RU series 571	A23171-07	

Conventional Cylinder Options		
Description	Specify	Add to Lock Price (per core)
5 pinned cylinder	P Suffix Example: RU581P	STD
6 pinned cylinder	P6 Suffix Example: RU581P6	N/C
7 pinned cylinder	P7 Suffix Example: RU581P7	12.30
6 pinned Competitor keyway cylinders*	P6 Suffix Example: RU581P6 (0 Bitted, KD, KA4 only)	7.00

* Competitor keyways are furnished 0 bitted, unless otherwise specified. Not available Master keyed.
 KD option is not available for locks containing 2 cylinders.

- Notes: 1)** Finishes: 606 and 626 only
2) Specify keyway
3) Cylinders are furnished G keyway, keyed differently unless otherwise specified.
4) Restricted sections add \$11.30 to list price. See page 4 for list of standard keyways.
 All other keyways are considered restricted. Contact 877-671-7011 for availability.

Interchangeable Core and Small Format Construction Core		
Description	Specify	Add to Lock Price (per core)
Small format core (BEST Style) *	BB6/7 Suffix Example: RU581BB6	\$46.00
Small format core (Falcon Style) *	G6/7 Suffix Example: RU581G6	
Small format construction core **	H Suffix Example: RU581HD	46.00
Less Small format core	B Suffix Example: RU581BD	N/C
Less Full Size core	J Suffix Example: RU581JD SCH x DAN	
Small format disposable core	BDC Suffix Example: RU581BDC	N/C

* Keying must be specified
 ** Locks are assessed one non-refundable handling charge (50-231F) per core.

Note: 5) Control keys are not furnished with locks and must be ordered separately. See page 141 for details policy on use of restricted keyway cylinders. Contact 877-671-7011 for availability.

Prices subject to change without notice

RU-Series • Less Components, Thick Door, Tactile Warning, Lead Lining

LOCKS

Locks Less Components

Description	Specify	Deduct from Price (per core)
Less standard cylinder	L suffix Example: RU581LD DAN	\$57.00
Less latch	LLL suffix Example: RU581PD DAN 626 LLL/5164	7.70
Less strike	LLL suffix Example: RU581PD DAN 626 314691 LLL	9.50

Tactile Warning

Description	Specify	Per Lever Lock Price
Abrasive Strip*	Preface the design code with 6 Example: 6DA for DAN	\$71.00

* Not available in 613

Lead Lining

Description	Specify	Add to Lock Price
Lead lining	Preface the design code with 9 Example: 9DA for DAN	\$314.00

Grade 1

Preassembled

RU Series

Prices subject to change without notice

Levers, Conventional Cylinder		
Part Number	Description	List Price
030742-000	Dane lever, closed	\$52.60
030742-001	Dane lever, open	
030744-000	Quantum lever, closed	62.70
030744-001	Quantum lever, open	
030929-002	Lever, Dane open (Corbin Russwin, Medeco, Yale unit)	70.40
030929-003	Lever, Quantum open (Corbin Russwin, Medeco, Yale unit)	
030996-002	Lever, Dane open (Sargent 6, 7 & 10 line, Yale)	43.00
030996-003	Lever, Quantum open (Sargent 6, 7 & 10 line, Yale)	
A30753-00*	Inside lever w/set screw, closed	108.00
A30753-01*	Inside lever w/set screw, open	
A31544-00*	Inside lever w/set screw, closed 851/881	

* Specify design prefix D (Dane), Q (Quantum)

Levers and related parts, Small Format and Large Format Interchangeable Core		
Part Number	Description	List Price
030742-002	Lever, Dane SFIC	\$52.60
030744-002	Lever, Quantum SFIC	
030926-002	Lever, Dane IC, ASSA, Medeco, Yale	112.00
030926-003	Lever, Quantum IC, ASSA, Medeco, Yale	
030927-002	Lever, Dane IC, Schlage	112.00
030927-003	Lever, Quantum IC, Schlage	
030928-002	Lever, Dane IC, Corbin Russwin	109.00
030928-003	Lever, Quantum IC, Corbin Russwin	
030930-002	Lever, Dane IC, Sargent	116.00
030930-003	Lever, Quantum IC, Sargent	

Roses		
Part Number	Description	List Price
031452-000	Rose, square	\$36.00

Note: 1) Dane available in 626 and 613 Quantum available in 626.

Prices subject to change without notice

RU-Series - Miscellaneous Parts

LOCKS

Grade 1

Preassembled

RU Series

Miscellaneous Parts		
Part Number	Description	List Price
022104-000-30	Short Slide Catch	\$0.96
022105-000-30	Slide Catch	2.70
022106-002-55	Retractor	3.30
022108-000-60	Retractor Spring	2.10
022112-000-30	Retainer, Retractor Spring	2.10
022986-001-50	Retractor Insert	0.68
030703-000-30	Inner Spindle, Passage and Button Functions	27.90
030704-002-30	Lever Stop Plate	4.00
030709-000-60	Clutch Spring	0.46
030712-000-30	Mounting Plate, Inner	3.80
030712-001-30	Mounting Plate, Outer	3.40
030718-000-30	Key Spindle, std	5.00
030718-001-30	Key Spindle, IC	
030722-000-30	Dogging Bar	3.30
030724-000-30	Lever Retaining Ring	0.68
030726-000-30	Flanged Nut	7.80
030726-007-30	Flanged Nut, Inner Electrified	10.90
030728-000	Push Button Cap	10.30
030733-000-55	Spindle Inner	3.50
031511-000-30	Hex Nut, 1/-28 Special	8.60
031514-000-30	Solenoid Mount	11.10
031519-000-30	Inner Spindle, RU851/881	43.90
1387	Hex Key – 1/8" with Looped Handle	16.40
A30746-000-00	Hub & Housing Assembly	16.30
A30747-000-00	Hub & Plate Assembly	15.00
A30749-060-00	Insert & Spindle Assembly, Outer, 6 Pin	106.00
A30749-070-00	Insert & Spindle Assembly, Outer, 7 Pin	63.60
A30905-001-00	Spindle & Driver Assembly, IC	59.80
A30905-060-00	Spindle & Driver Assembly, 6 Pin	
A30906-070-00	Spindle & Driver Assembly, 7 Pin	
A30913-000-00	Key Spindle Assembly, Inner Std.	180.00
A30913-001-00	Key Spindle Assembly, Inner IC	
Q330-272	RU Lock Spring Cage Kit (for all functions except RU101 and RU301)	41.70
Q330-273	RU Lock Spring Cage Kit (RU101 and RU301)	

Screws				
Part Number	Description	Finishes	Size	List Price
002762-000	RU latch screw	606, 613, 626	8-32 x3/8	\$0.38
002770-016-30	Insert screws	-	10-32 x 1	0.52
021164-016	ANSI strike screws	606, 613, 626, 630	12-24 x 1" combo	0.60
024416-012	Latch and strike screws	606, 613, 626, 630	8-32 x 3/4" combo	0.36
030755-005-30	Type D screw	-	8-32 x 5/16"	0.46
030831-004-30	Set screw	-	1/4-20 x 1/4"	0.62
031533-006-30	Self tap screw	-	8-32 x 3/8"	0.48
031541-006-30	Mounting plate screws	-	8-32 x 1/2"	0.50

Prices subject to change without notice

Tailpieces for Conventional Cylinders				
Cylinder	Std. Functions	RU381 Inside	RU571	Price
Falcon 6-pin* (10/pkg)	A30730-001-00	A30730-003-00	A30730-002-00	\$24.80 pkg. of 10
Falcon 7-pin (10/pkg)	A30730-002-00	A30730-004-00	A30730-006-00	\$24.80 pkg. of 10
Sargent 6 & 10 Line	030997-001-30	030997-003-30	030997-005-30	13.10
Yale1801, 5801	030917-001-30	030917-003-30	030917-005-30	37.40 each
Corbin Russwin	030994-001-30	030994-003-30	030994-005-30	70.50

IC Throw Members (Tailpieces)				
Core Type	Std. Functions	RU381 Inside	RU571	Price
Falcon 6-pin*	030739-000-30		030739-000-30	\$3.10
Falcon 6-pin*	030739-002-30			10.60
Falcon 7-pin*	030739-001-30		030739-001-30	3.10
Falcon 7-pin *		030739-003-30		3.10
Corbin Russwin 8000 and Sargent 6300	031468-000-30	031468-002-30	031468-004-30	8.00
Corbin Russwin 8000-7 (7-pin)	031468-001-30	031468-003-30	031468-005-30	8.00
Medeco 32 Series & ASSA	A30988-000-00	A30988-002-00	A30988-000-00	6.90
Schlage full size, including Primus	031467-000-30	031467-002-30	031467-004-30	16.40
Yale and Medeco 31 Series 6-pin	030917-001-30	030917-003-30	030917-005-30	37.40

* Arrow, Best, InstaKey, Kaba Peaks, Keymark, KSP and Schlage small format cores all use the Falcon configuration.

LOCKS

Grade 1

Preassembled

RU Series

Prices subject to change without notice

LOCKS

Grade 1

Preassembled

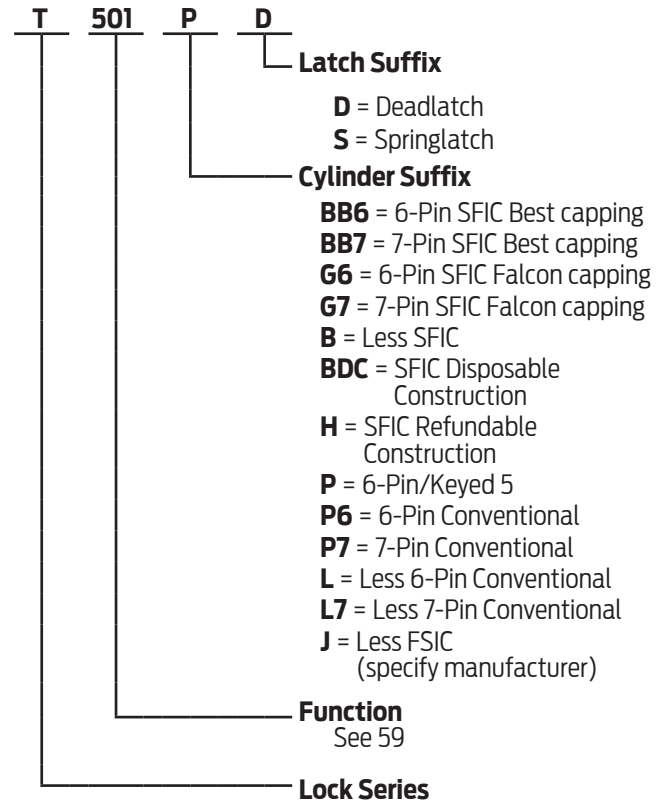
RU Series

Prices subject to change without notice

Table of Contents

Function Chart **55**
Complete Lock Pricing **56**
Options & Parts
 Cylinders57
 Tailpieces.....58
 Order Detail59
 Competitor Cylinders60
 Lock Less Components61
 Non-Standard Door Thickness61
 Tactile Warning61
 Lead Lining61
 Allegion Connect.....61
 Latches with Locks.....61
 Strikes62
 Levers63
 Roses63
 Misc. Parts.....64
 Chassis Assemblies64
 Screws.....65

Product Identification



SFIC = Small Format (Best® Style) Interchangeable Core

Finish Codes and Descriptions

Code		Description
605	(US3)	Bright Brass
606	(US4)	Satin Brass
613	(US10B)	Oil Rubbed Bronze
619	(US15)	Satin Nickel
622		Matte Black
625	(US26)	Bright Chrome
626	(US26D)	Satin Chrome
643E	(US11)	Aged Bronze

Standard Features - Furnished unless otherwise specified

Certification	ANSI A156.2, Series 4000, Grade 1, UL Listed for 3-Hour fire door
Latch	1-1/8" x 2-1/4", Square corner faceplate, 1" housing diameter, 1/2" throw, 2-3/4" backset
Strike	1-1/4" x 4-7/8", ANSI, Square corner, no box
Cylinder	6-Pin, Solid brass, Keyed 5-Pin, Falcon G keyway, Keyed different (KD)
Door Range	1-3/4" - 2-1/8" standard
Keys	Two, Nickel silver cut keys per lock, Falcon G keyway



Prices subject to change without notice

T Series

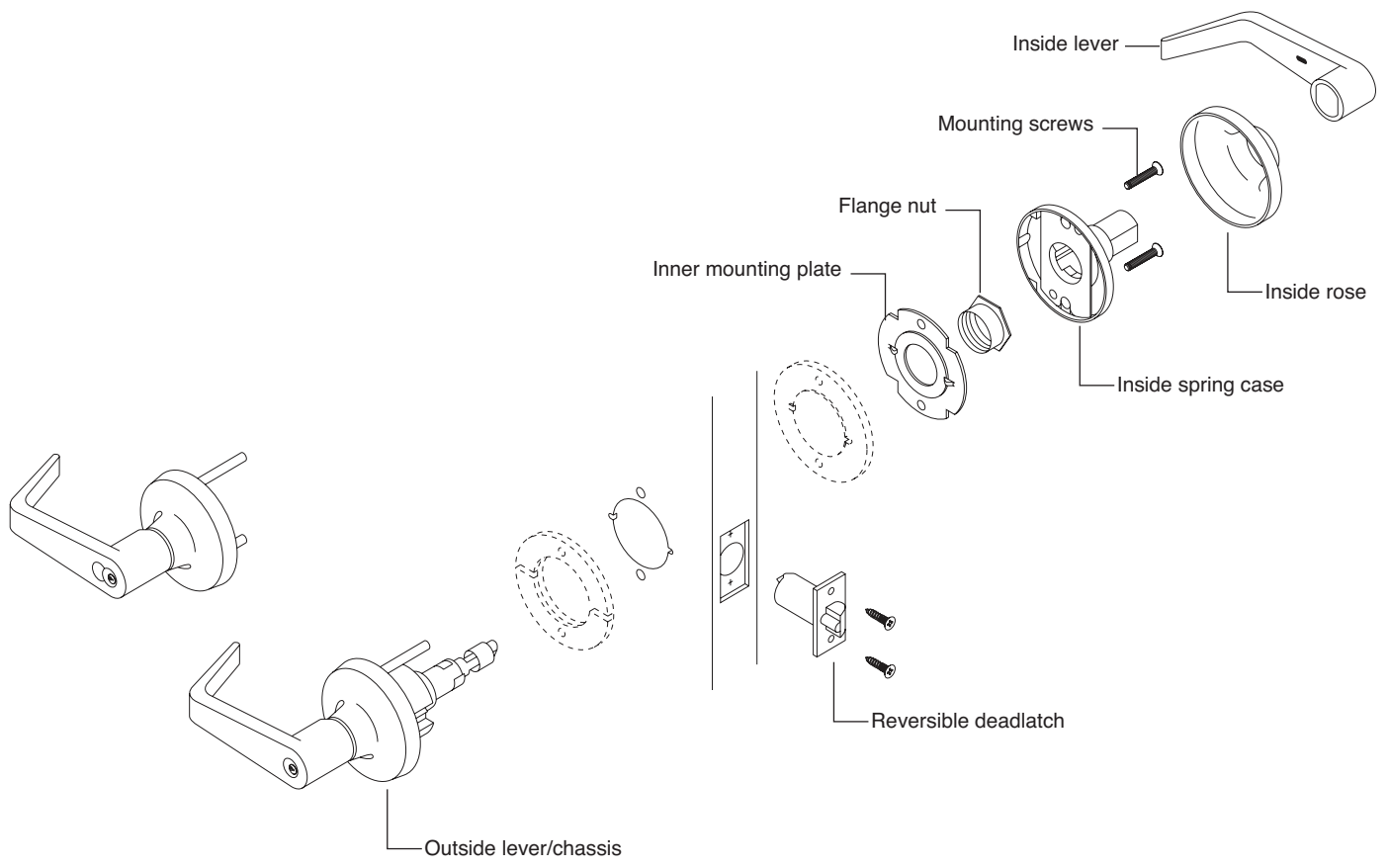
GRADE 1 CYLINDRICAL LOCK

LOCKS

Grade 1

Cylindrical

T Series



Prices subject to change without notice

ANSI A156.2 Series 4000 Grade 1

Key-In-Lever Locks

FALCON ANSI

T101 F75

Passage/Closet Latchset

Latch bolt by levers at all times.



T291

Privacy Hospital Lock

Latch bolt by levers. Outside lever locked by push button in inside lever. Rotating inside lever, closing door, or turning emergency release turn button on outside, release push button. Inside is always free for egress.



T301 F76

Privacy Lock

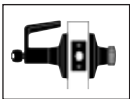
Latch bolt by levers. Outside lever locked by push button in inside lever. Rotating inside lever or closing door releases push button. Emergency release in outside lever unlocks door.



T351

Closet Lock

Deadlocking latch bolt by turn knob inside or lever outside except when outside lever is locked by key.



T381 F88

Classroom Security Lock

Latchbolt operated by lever from either side except when key from inside lever locks outside lever. When outside lever is locked, latchbolt retracted by key in outside lever or by turning inside lever.



T411 F87

Asylum Lock*

Deadlocking latch bolt operated by key in lever from either side. Both levers always inoperable.



T501 F82

Entry Lock

Push button locking. Button on inside locks outside lever until unlocked by key or by rotating inside lever. Inside lever always free. Deadlocking latch bolt.



T511 F109

Entry/Office Lock

Turn/push button locking. Pushing and turning button locks outside lever requiring use of key until button is manually unlocked. Push button locking. Pushing button locks outside lever until unlocked by key or by rotating inside lever. Inside lever always free. Deadlocking latch bolt.



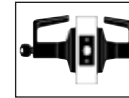
Key-In-Lever Locks

FALCON ANSI

T521 F81

Office Lock

Turn button locking. Turning button locks outside lever requiring use of key until button is manually unlocked. Inside lever always free. Deadlocking latch bolt.



T561 F84

Classroom Lock

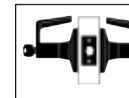
Deadlocking latch bolt by levers. Outside lever is locked by key in outside lever. Inside lever is always free.



T571 F90

Dormitory/Corridor Lock

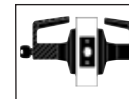
Deadlocking latch bolt by levers except when locked by push button in inside lever. Key in outside lever locks or unlocks outside lever and releases button. Closing door releases push button. Inside lever always free.



T581 F86

Storeroom Lock

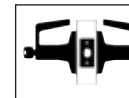
Deadlocking latch bolt by lever inside or key outside. Outside lever is inoperable. Inside lever always free.



T851

Storeroom (Electrified – Fail Safe)

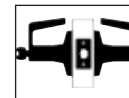
Latch bolt operated by lever from either side except when outer lever is electrically locked. When outer lever is locked (inoperable), latch bolt retracted by key in cylinder outside. Available in both 12 (.65 Amps) or 24 (.32 Amps) volt DC, continuous duty.



T881

Storeroom (Electrified – Fail Secure)

Deadlocking latch bolt operated by lever inside at all times. Outside lever inoperable until electrically unlocked, then latch bolt from either side. When outside lever is inoperable latch bolt retracted by key in cylinder outside. Available in both 12 (.65 Amps) or 24 (.32 Amps) volt DC, continuous duty.



T12

Dummy Trim

Single Trim-surface mounted rigid lever.



* **Caution:** Double cylinder locks on residences and any door, in any structure, which is used for egress are a life safety hazard in times of emergency and their use is not recommended. Installation should be in accordance with existing codes only.

Prices subject to change without notice

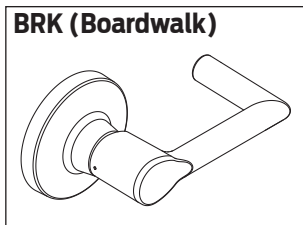
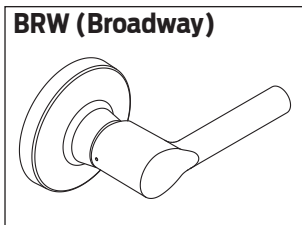
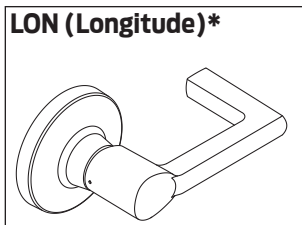
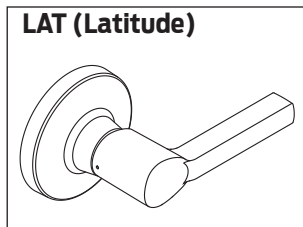
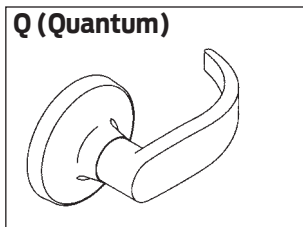
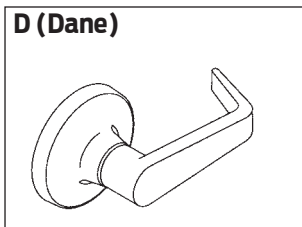
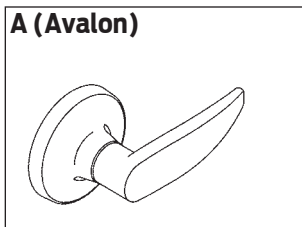
T-Series - Complete Locks

LOCKS

Grade 1

Cylindrical

T Series



Key-In-Lever

Function	Description	Designs and Finishes							
		A D Q LAT LON BRW BRK							
		626	643E	605	606	613	619	622	625
Single Cylinder Functions - Clutched Locked Levers									
T351PD	Closet								
T501PD	Entry								
T511PD	Entry/Office								
T521PD	Office								
T561PD	Classroom								
T571PD	Dormitory/Corridor								
T581PD	Storeroom								
T851PD ¹	Elec. Storeroom – Fail Safe								
T881PD ¹	Elec. Storeroom – Fail Secure								
		\$461.00						\$473.00	
		840.00						852.00	
Double Cylinder Functions - Clutched Locked Levers									
T381PD	Exit Security								
T411PD	Asylum								
		\$540.00						\$552.00	
CAUTION: Double cylinder locks on residences and any door in any structure which is used for egress are a life safety hazard in times of emergency and their use is not recommended. Installation should be in accordance with existing codes only.									
Non-Keyed Functions									
T101S	Passage								
T291S	Hospital/Grade School Privacy								
T301S	Privacy								
		\$330.00						\$342.00	
		414.00						426.00	
Dummy Trim									
T12	Half Dummy								
		147.00						153.00	

Notes: 1) 24V is standard. Power supply PS902 will be sufficient to operate an individual lock for multiple lock installation - see Power Supply section.

Prices subject to change without notice

T Series - Complete Cylinders		
Cylinder Mechanism	Part Number	Price Each
5 pin cylinder T series (except 381 IS, 571)	A23151-05	\$57.00
5 pin cylinder T series 381 IS	A23151-06	
5 pin cylinder T series 571	A23151-07	
6 pin cylinder T series (except 381 IS, 571)	A23161-05	
6 pin cylinder T series 381 IS	A23161-06	
6 pin cylinder T series 571	A23161-07	
7 pin cylinder T series (except 381 IS, 571)	A23171-05	72.00
7 pin cylinder T series 381 IS	A23171-06	
7 pin cylinder T series 571	A23171-07	

Conventional Cylinder Options		
Description	Specify	Add to Lock Price (per core)
5 pinned cylinder	P Suffix Example: T581P	STD
6 pinned cylinder	P6 Suffix Example: T581P6	N/C
7 pinned cylinder	P7 Suffix Example: T581P7	\$12.30
6 pinned Competitor keyway cylinders*	P6 Suffix Example: T581P6 (0 Bitted, KD, KA4 only)	7.00

* Competitor keyways are furnished 0 bitted, unless otherwise specified. Not available Master keyed.
 KD option is not available for locks containing 2 cylinders.

- Notes:**
- 1) Finishes: 606, 622*, & 626 only
 - 2) Specify keyway
 - 3) Cylinders are furnished G keyway, keyed differently unless otherwise specified.
 - 4) Restricted sections add \$11.30 to list price. See page 4 for list of standard keyways. All other keyways are considered restricted. Contact 877-671-7011 for availability.
 - 5) 622 Finish is available only on Allegion cylinders (P, P6, & P7) in C & G Keyways.

Interchangable Core Options		
Description	Specify	Add to Lock Price (per core)
Small format core (BEST Style) *	BB6/7 Suffix Example: T581BB6	\$46.00
Small format core (Falcon Style) *	G6/7 Suffix Example: T581G6	
Small format construction core **	H Suffix Example: T581HD	46.00
Less Small format core	B Suffix Example: T581BD	N/C
Less Full Size core DAN, AVA, QUA - all FSIC options LAT, LON, BRW, BRK - Schlage FSIC only	J Suffix Example: T581JD SCH x DAN	
Small format disposable core	BDC Suffix Example: T581BDC	N/C

* Keying must be specified

** Locks are assessed one non-refundable handling charge (50-231F) per core.

- Note:**
- 6) Control keys are not furnished with locks and must be ordered separately. See page 141 for details.
 - 7) Competitor prepped levers are not available in 622, 619, & 643e finishes except for Schlage options..

Prices subject to change without notice

T-Series - Cylinder Parts

LOCKS

Tailpieces for Conventional Cylinders

Cylinder	Std. Functions	T381 Inside	T571	Price
Falcon 6-pin* (10/pack)	A30730-001-00	A30730-003-00	A30730-002-00	\$24.80 pkg. of 10
Falcon 7-pin (10/pack)	A30730-002-00	A30730-004-00	A30730-006-00	\$24.80 pkg. of 10
Sargent 6 & 10 Line	030997-001-30	030997-003-30	030997-005-30	13.10
Yale 1801, 5801	030917-001-30	030917-003-30	030917-005-30	37.40 each
Corbin Russwin	030994-001-30	030994-003-30	030994-005-30	70.50

* Assa 65611 and 65661, Corbin Russwin 2000-034 and Schlage, including Primus, all use the Falcon 6-pin tailpiece.

Grade 1

IC Throw Members (Tailpieces)

Cylinder	Std. Functions	T381 Inside	T571	Price
Falcon 6-pin*	030739-000-30		030739-000-30	\$3.10
Falcon 6-pin*		030739-002-30		10.60
Falcon 7-pin*	030739-001-30		030739-001-30	3.10
Falcon 7-pin*		030739-003-30		3.10
Corbin Russwin 8000 and Sargent 6300	031468-000-30	031468-002-30	031468-004-30	8.00
Corbin Russwin 8000-7 (7-pin)	031468-001-00	031468-003-30	031468-005-30	8.00
Medeco 32 Series & ASSA	A30988-000-00	A30988-002-00	A30988-000-00	6.90
Schlage Full Size, Including Primus	031467-000-30	031467-002-30	031467-004-30	16.40
Yale and Medeco 31 Series, 6-pin	030917-001-30	030917-003-30	030917-005-30	37.40

* Arrow, Best, InstaKey, Kaba Peaks, Keymark, KSP and Schlage small format cores all use the Falcon configuration.

Cylindrical

T Series

Prices subject to change without notice

Specify cylinder requirements.

Note: Locks furnished with Falcon's standard "G" keyway cylinder or prepared for Falcon interchangeable core unless otherwise specified.

With Cylinder

Falcon IC

- 6-pin
- 7-pin

Falcon Conventional

- Schlage - C, 0 Bitted, KD, KA4
- Schlage - E, 0 Bitted
- 6-pin

specify keyway

- 7-pin

specify keyway

Competitors' Keyways - 6-pin Conventional Cylinder*

- Corbin - 60, 0 Bitted, KD
- Russwin - D1, 0 Bitted, KD
- Sargent - LA, 0 Bitted, KD (Also accepts LB, LC keys)
- Yale - 8 (Para), 0 Bitted, KD

* Generic replacement cylinders with competitors' keyways.

Less Cylinder - Prepared to Accept**

Falcon IC

Falcon Conventional

- 6-pin
- 7-pin

Unit / Mono Lock Cylinders

- Falcon Standard (R Series old small plug) 6-pin
- Corbin Russwin Unit Lock (2000-052) - Master Ring not available
- Medeco Unit Lock Retrofit Cylinder (20W5005) - Corbin Russwin Unit Lock
- Medeco Unit Lock Retrofit Cylinder (20W0500) - Yale 6200 Mono Lock
- Yale Mono Lock (1801) and later models

Competitors' Conventional Cylinders

- Assa (65611 or 65661) 6-pin
- Corbin Russwin (2000-034 / CL3400) 6-pin - Master Ring not available
- Medeco (20W200V3) 6-pin - tailpiece supplied by Medeco - Falcon / Schlage style
- Peaks (Kaba) 6-pin
- Primus (Schlage) 6-pin
- Sargent (6, 7 & 10 Line) 6-pin - Keso not available
- Yale (1801) 6-pin - Bicentric not available

Competitors' IC

- Arrow 6, 7-pin
- Assa (70600IC & V70600IC) 6-pin
- Best 6, 7-pin
- Corbin Russwin (8000) 6-pin
- Corbin Russwin (8000-7) 7-pin
- InstaKey
- Medeco 31 Series 6-pin
- Medeco 32 Series 6-pin
- Medeco Keymark 6, 7-pin
- Peaks (Kaba) 6, 7-pin
- Primus (Schlage) 6-pin
- Sargent (6300) 6-pin
- Schlage 6-pin
- Yale (1210) 6-pin

** Proper tailpiece supplied unless otherwise noted.

Prices subject to change without notice

Compatibility with Competitors' Standard Cylinders

The T Series is furnished with Falcon's standard "G" keyway cylinder unless otherwise specified, and accepts the following competitors' standard 6-pin cylinders.

- Assa (65611 or 65661) 6-pin
- Corbin Russwin (2000-034 / CL3400) 6-pin - Master Ring not available
- Medeco (20W200V3) 6-pin - tailpiece supplied by Medeco - Falcon / Schlage style
- Peaks (Kaba) 6-pin
- Primus (Schlage) 6-pin
- Sargent (6, 7 & 10 Line) 6-pin - Keso not available
- Yale (1801) 6-pin - Bicentric not available

Compatibility with Competitors' I-Cores



Falcon's standard interchangeable core option. Specify 6 or 7-pin. Locksets with this option also accept Schlage SFIC, Arrow (including Flex Core), Best (including PKS & Peaks), InstaKey, Kaba Peaks, Keymark and KSP cores.

The following larger format interchangeable cores will work with the T Series locksets when lockset is so specified:



Assa old and new style
Specify IC-AS



Corbin Russwin 8000 or 8000-7
Specify IC-CR6 or IC-CR7



Medeco 32 Series 6-pin
Specify IC-ME



Medeco 31 31 Series 6-pin
Specify IC-YA6



Sargent 6300
Specify IC-SA



Schlage 6-pin including Primus
Specify IC-SC



Yale 6-pin Medeco 31 Series
Specify IC-YA6

Prices subject to change without notice

Locks Less Components		
Description	Specify	Deduct from Lock Price
Less each lever	LLL Example: T581PD LLL/DAN	\$25.60
Less standard cylinder	L suffix Example: T581LD DAN	57.00
Less latch	LLL Example: T581PD DAN 626 LLL/5164	39.90
Less strike	LLL Example: T581PD DAN 626 98535 LLL	9.60

Non-Standard Door Thickness		
Description	Specify	Add to Lock Price
Door thickness 1-3/8" to 1-3/4"	A30775-000-00 for thin door shims	\$13.30

Note: 1) T Series lockset will accommodate up to a 2-1/8" thick door prep standard.

Tactile Warning		
Description	Specify	Per Lever Lock Price
Abrasive Strip*	Preface the design code with 6 Example: 6DA for DAN	\$62.60

* Not available in 613 or on Latitude, Longitude, Broadway and Boardwalk.

Lead Lining		
Description	Specify	Add to Lock Price
Lead lining	Preface the design code with 9 Example: 9DA for DAN	\$287.00

Note: 3) Lead Lining is not available on Latitude, Longitude, Broadway, & Boardwalk levers.

Allegion Connect		
Suffix		List Add
CON	Cross-category solution using common interconnect components for electrified options. Available on the T851 and T881 functions. <i>For wire harness options refer to Electronic Power Supplies Section.</i>	N/C

Latches with Locks					
Backset	Description	HSG Dia	Specify		Add to Lock Price
			Springlatch	Deadlatch	
2-3/8"	Square corner, 1" x 2-1/4"	1"	23981111	23981160	N/C
2-3/4"	Square corner, 1-1/8" x 2-1/4", std.		23981137	23981145	
2-3/4"	Anti-friction fire door latch Square corner, 1-1/8" x 2-1/4", 3/4" throw		-	23981152	\$194.00
3-3/4"	Square corner, 1-1/8" x 2-1/4"		24074387	23981129	N/C
5"	Backset extension Link			43-005	35.50

Part Number	Description	Price
24483760	latch spacer for hollow door applications	\$5.50

Prices subject to change without notice

T-Series - Latches and Strikes

LOCKS

Strikes with Locks			
Description	Lip Length	Specify	Add to Lock Price
ANSI, 1-1/4" x 4-7/8" standard	1-3/16"	5164	N/C
Square corner, full lip 1-5/8" x 2-1/4"	1"	01-049	N/C
1/4" Radius round corner, full lip 1-5/8" x 2-1/4"	1"	01-048	N/C
Square Corner, T-Strike, 1-1/8" x 2-3/4"	1-5/16"	5185	N/C
ANSI dust box 1" deep, steel	-	005099-000-30	N/C
ANSI 1-1/4" x 4-7/8"	7/8"	5161	N/C
Radius T Strike, 1-1/8" x 2-3/4"	9/16"	5185-4	N/C

Latches sold separate

Finishes: 606, 613, 630

Grade 1

Specify		Backset	Description	HSG Dia	List Price
Springlatch	Deadlatch				
23981111	23981160	2-3/8"	Square corner, 1" x 2-1/4"	1"	\$99.40
23981137	23981145	2-3/4"	Square corner, 1-1/8" x 2-1/4", std.		76.70
-	23981152	2-3/4"	Anti-friction fire door latch Square corner, 1-1/8" x 2-1/4", 3/4" throw		293.00
24074387	23981129	3-3/4"	Square corner, 1-1/8" x 2-1/4"		91.90
	43-005	5"	Backset extension Link		35.50

Cylindrical

Strikes sold separate

T Series

Description	Lip Length	Specify	List Price
ANSI, 1-1/4" x 4-7/8" standard	1-3/16"	005164-000	\$14.80
Square Corner, T-strike, 1-1/8" x 2-3/4"	1-1/8"	A05185-000	4.60
1/4" Radius round corner, full lip 1-5/8" x 2-1/4"	1"	Q001-048	4.60
Square corner, full lip 1-5/8" x 2-1/4"		Q001-049	
ANSI dust box 1" deep, steel	-	005099-000-30	10.80
ANSI 1-1/4" x 4-7/8"	7/8"	005161-000	24.90
Radius T Strike, 1-1/8" x 2-3/4"	9/16"	A05185-004	31.10

Shaded items are standard components and are furnished with locks unless otherwise specified.

Prices subject to change without notice

Levers, Conventional Cylinder			
Part Number	Description	List Price	
030740-000	Avalon lever, closed	\$52.60	
030740-001	Avalon lever, open		
Q330-430 BRK	Boardwalk lever, closed		
Q330-431 BRK	Boardwalk lever, open		
Q330-430 BRW	Broadway lever, closed		
Q330-431 BRW	Broadway lever, open		
030742-000	Dane lever, closed		
030742-001	Dane lever, open		
Q330-430 LAT	Latitude lever, closed		
Q330-431 LAT	Latitude lever, open		
Q330-430 LON	Longitude lever, closed		
Q330-431 LON	Longitude lever, open		
030744-000	Quantum lever, closed		
030744-001	Quantum lever, open		
030929-001	Lever, Avalon open (Corbin Russwin, Medeco, Yale unit)		62.70
030929-002	Lever, Dane open (Corbin Russwin, Medeco, Yale unit)		
030929-003	Lever, Quantum open (Corbin Russwin, Medeco, Yale unit)		
030996-001	Lever, Avalon open (Sargent 6, 7 & 10 line, Yale)	70.40	
030996-002	Lever, Dane open (Sargent 6, 7 & 10 line, Yale)		
030996-003	Lever, Quantum open (Sargent 6, 7 & 10 line, Yale)		
A30753-00*	Inside lever w/set screw, closed	43.00	
A30753-01*	Inside lever w/set screw, open		
A31544-00*	Inside lever w/set screw, closed 851/881	108.00	

Notes: 1) When ordering levers or roses, specify finish.
 2) Competitor prepped levers are not available in 622, 619, & 643e Finish except Schlage options.

Levers, Small and Large Format Interchangeable Core		
Part Number	Description	List Price
030740-002	Lever, Avalon SFIC	\$52.60
Q330-432 BRK	Lever, Boardwalk SFIC	
Q330-432 BRW	Lever, Broadway SFIC	
030742-002	Lever, Dane SFIC	
Q330-432 LAT	Lever, Latitude SFIC	
Q330-432 LON	Lever, Longitude SFIC	
030744-002	Lever, Quantum SFIC	112.00
030926-001	Lever, Avalon IC, ASSA, Medeco, Yale	
030926-002	Lever, Dane IC, ASSA, Medeco, Yale	
030926-003	Lever, Quantum IC, ASSA, Medeco, Yale	112.00
030927-001	Lever, Avalon IC, Schlage	
Q330-433 BRK	Lever, Boardwalk FSIC	
Q330-433 BRW	Lever, Broadway FSIC	
030927-002	Lever, Dane IC, Schlage	
Q330-433 LAT	Lever, Latitude FSIC	
Q330-433 LON	Lever, Longitude FSIC	109.00
030927-003	Lever, Quantum IC, Schlage	
030928-001	Lever, Avalon IC, Corbin Russwin	
030928-002	Lever, Dane IC, Corbin Russwin	116.00
030928-003	Lever, Quantum IC, Corbin Russwin	
030930-001	Lever, Avalon IC, Sargent	
030930-002	Lever, Dane IC, Sargent	
030930-003	Lever, Quantum IC, Sargent	

Roses			
Part Number	Description	List Price	
		626 643E	605 606 613 619 622
030706-002	Rose cover	\$25.40	\$28.40

Prices subject to change without notice

T-Series - Levers and Parts

LOCKS

Grade 1

Cylindrical

T Series

Miscellaneous Parts		
Part Number	Description	List Price
022104-000-30	Short Slide Catch	\$0.96
022105-000-30	Slide Catch	2.70
022106-002-55	Retractor	3.30
022108-000-60	Retractor Spring	2.10
022112-000-30	Retainer, Retractor Spring	2.10
022986-001-50	Retractor Insert	0.68
030654-000-625	Emergency Release Cap	2.50
030654-000-626	Emergency Release Cap	3.00
030703-000-30	Inner Spindle, Passage and Button Functions	27.90
030704-002-30	Lever Stop Plate	4.00
030709-000-60	Clutch Spring	0.46
030712-000-30	Mounting Plate, Inner	3.80
030712-001-30	Mounting Plate, Outer	3.40
030722-000-30	Dogging Bar	3.30
030724-000-30	Lever Retaining Ring	0.68
030726-000-30	Flanged Nut	7.80
030726-007-30	Flanged Nut, Inner Electrified	10.90
030728-000	Push Button Cap	10.30
030729-000-70	Outer Button Mount	1.40
030733-000-55	Spindle Inner	3.50
030787-000-70	Button Spacer	2.60
M204-198	Drill guide for locating 5/16" thru-bolt holes	16.30
031516-000-70	Solenoid, Fail secure T881	404.00
031511-000-30	Hex Nut, 1/-28 Special	8.60
031514-000-30	Solenoid Mount	11.10
030733-002	Inner Spindle, T851/881	43.90
1387	Hex Key - 1/8" with Looped Handle	16.40
1388	Hex Wrench	38.10
A30746-000-00	Hub & Housing Assembly	16.30
A30747-000-00	Hub & Plate Assembly	15.00
A30749-060-00	Insert & Spindle Assembly, Outer, 6 Pin	106.00
A30749-070-00	Insert & Spindle Assembly, Outer, 7 Pin	63.60
A30906-001-00	Spindle & Driver Assembly, IC	59.80
A30775-000-00	Door thickness 1-3/8" to 1-3/4" Door Shims	13.30
A30906-060-00	Spindle & Driver Assembly, 6 Pin	59.80
A30906-070-00	Spindle & Driver Assembly, 7 Pin	
Q330-270	T Lock Spring Cage Kit (Inside for T411 and outside for all functions except T101, T291, T301)	43.00
Q330-271	T Lock Spring Cage Kit (Inside- all functions except T411 and inside & outside for T101, T291, T301)	
030718-000-30	Key Spindle Assembly T501, T511 T521, T851, T881 STD and T381 Outside STD	5.00
030718-001-30	Key Spindle Assembly T501, T511 T521, T851, T881 IC and T381 Outside IC	5.00
A30913-000-00	Key Spindle Assembly T381 Inside STD	180.00
A30913-001-00	Key Spindle Assembly T381 Inside IC	
A30780-000-00	Key Spindle Assembly T351, T561 STD	180.00
A30780-001-00	Key Spindle Assembly T351, T561 IC	180.00
A30915-000-00	Key Spindle Assembly T571 STD	86.80
A30915-001-00	Key Spindle Assembly T571 IC	85.20
030732-000-30	Key Spindle Assembly T581 STD	5.30
030732-001-30	Key Spindle Assembly T581 IC	5.30

Prices subject to change without notice

Chassis Assemblies			
Part Number			
Conventional Cylinder	IC Core	Description	List Price
A30761-000-00		T101 Chassis	\$90.50
A30765-000-00		T301 Chassis, T291 Chassis	156.00
A30758-000-00	A30758-001-00	T351/561 Chassis	
A30769-000-00	A30769-001-00	T411 Chassis	
A30773-000-00	A30773-001-00	T501 Chassis	
A30756-000-00	A30756-001-00	T511 Chassis	
A30748-000-00	A30748-001-00	T521 Chassis	
A30760-000-00	A30760-001-00	T581 Chassis	
A30767-000-00	A30767-001-00	T381 Chassis	295.00
A30759-000-00	A30759-001-00	T571 Chassis	
A31517-000-00	A31517-001-00	T851 Chassis	843.00
A31518-000-00	A31518-001-00	T881 Chassis	

Screws				
Part Number	Description	Finishes	Size	List Price
021164-016	ANSI strike screws	606, 613, 622, 626, 630	12-24 x 1" combo	\$0.60
024416-012	Latch and strike screws	606, 613, 622, 626, 630	8-32 x 3/4" combo	0.36
030755-005-30	Type D screw	-	8-32 x 5/16"	0.46
030831-004-30	Set screw for standard lever	-	1/4 x 20 x 1/4"	0.62
031515-004-30	Fillister Head Screw	-	4-40 x 1/4"	2.40
031531-006-30	Set Screw for electrified screw	-	1/4-20 x 3/8"	0.54
031533-006-30	Self Tap Screw	-	8-32 x 3/8"	0.48
002770-016-30	Mounting Screws	-	10-32 x 1"	0.52

LOCKS

Grade 1

Cylindrical

T Series

Prices subject to change without notice

LOCKS

Grade 1

Cylindrical

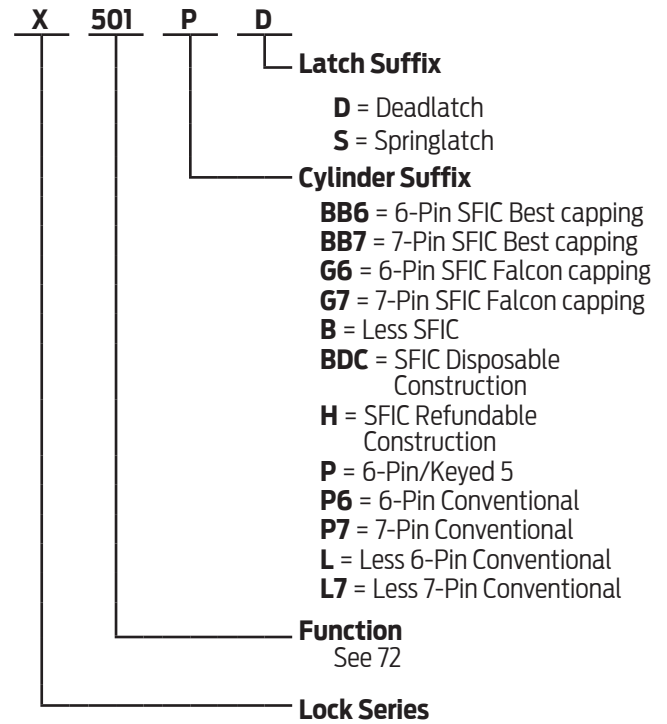
T Series

Prices subject to change without notice

Table of Contents

Function Chart **68**
Complete Lock Pricing **69**
Options & Parts
 Latches70-71
 Strikes70-71
 Cylinders72
 Knobs73
 Roses73
 Misc. Parts.....73
 Screws.....73
 Screw Packs73
 Lock Less Components 74
 Tactile Warning 74
 Stainless Steel/Corros. Resist. Chassis..... 74
 Non-Standard Door Thickness 74

Product Identification



SFIC = Small Format (Best® Style) Interchangeable Core

Finish Codes and Descriptions

Code		Description
605	(US3)	Bright Brass
606	(US4)	Satin Brass
613	(US10B)	Oil Rubbed Bronze
625	(US26)	Bright Chrome
626	(US26D)	Satin Chrome
630	(US32D)	Satin Stainless

Standard Features - Furnished unless otherwise specified



Certification	ANSI A156.2, Series 4000, Grade 1, UL Listed for 3-Hour fire door
Latch	1-1/8" x 2-1/4", Square corner faceplate, 1" housing diameter, 1/2" throw, 2-3/4" backset
Strike	1-1/4" x 4-7/8", ANSI, Square corner, no box
Cylinder	6-Pin, Solid brass, Keyed 5-Pin, Falcon G keyway, Keyed different (KD)
Door Range	1-3/8" - 2-1/8" standard
Keys	Two, Nickel silver cut keys per lock, Falcon G keyway
Backset	2-3/4"

Prices subject to change without notice

X-Series • Functions

LOCKS

Grade 1

Cylindrical

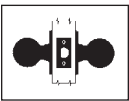
X Series

ANSI A156.2 Series 4000 Grade 2

Key-In-Knob Locks

FALCON ANSI

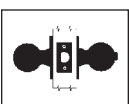
X101 F75



Passage/Closet Latchset

Latch bolt by knobs at all times.

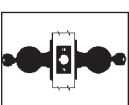
X301 F76



Privacy Lock

Latch bolt by knobs. Outside locked by push button in inside knob. Rotating inside knob or closing door releases push button. Emergency release in outside knob. Emergency Release Tool M504-271.

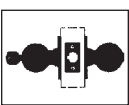
X411 F87



Asylum Lock*

Deadlocking latch bolt by key from either side. Both knobs rigid.

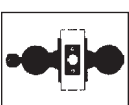
X501 F82



Entry Lock

Push button locking. Button on inside locks outside knob until unlocked by key or by rotating inside knob.

X511 F109



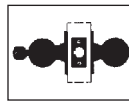
Entry/Office Lock

Turn/push button locking. Pushing and turning button locks outside knob requiring use of key until button is manually unlocked. Push button locking. Pushing button locks outside knob until unlocked by key or by turning inside knob.

Key-In-Knob Locks

FALCON ANSI

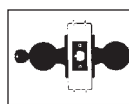
X521 F81



Office Lock

Turn button locking. Turning button locks outside knob requiring use of key until button is manually unlocked. Inside knob always free.

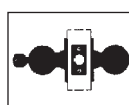
X561 F84



Classroom Lock

Deadlocking latch bolt by knobs. Outside knob is locked by key in outside knob. Inside knob is always free.

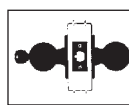
X571 F90



Dormitory Lock

Deadlocking latch bolt by knobs except when locked by push button in inside knob. Key in outside knob locks or unlocks outside knob and releases button. Closing door releases push button. Inside knob always free.

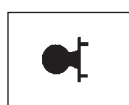
X581 F86



Storeroom Lock

Deadlocking latch bolt by inside knob or key outside. Outside knob rigid.

X12

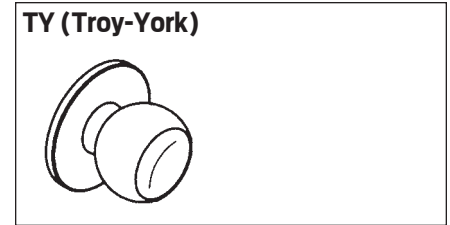
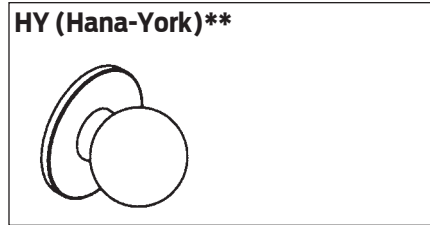
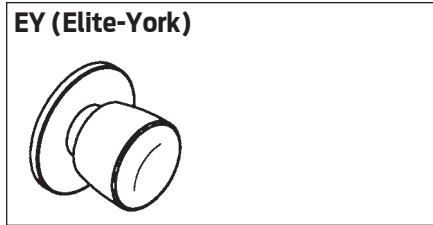
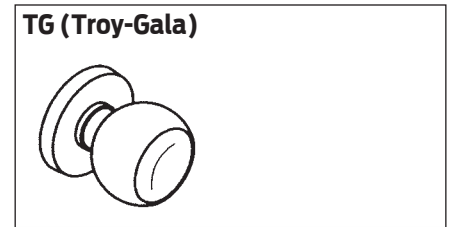
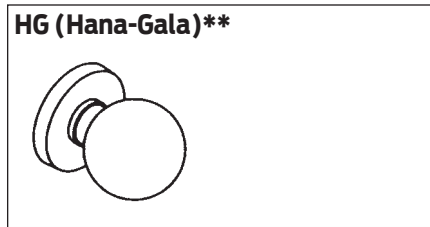
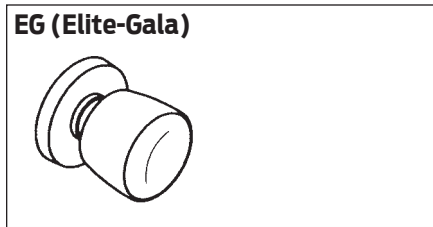


Single Dummy Trim

Single Trim—Surface mounted.

* **Caution:** Double cylinder locks on residences and any door, in any structure, which is used for egress are a life safety hazard in times of emergency and their use is not recommended. Installation should be in accordance with existing codes only.

Prices subject to change without notice



Key-In-Knob		Designs and Finishes					
		EG EY HG HY TG TY					TG TY
Function	Description	626	605	606	613	625	630
Single Cylinder Functions							
X501PD	Entry	\$726.00		\$738.00			\$738.00
X511PD	Entry/Office						
X521PD	Entry/Office						
X561PD	Classroom						
X571PD	Dormitory						
X581PD	Storeroom						
Double Cylinder Functions							
X411PD	Asylum	\$840.00		\$852.00			\$852.00
CAUTION: Double cylinder locks on residences and any door in any structure which is used for egress are a life safety hazard in times of emergency and their use is not recommended. Installation should be in accordance with existing codes only.							
Non-Keyed Functions							
X101S	Passage	\$521.00		\$533.00			533.00
X301S	Privacy	642.00		654.00			654.00
X12	Single Dummy Trim	233.00		239.00			239.00

Notes: 1) Hana knob not available in IC.
2) Specify handing for keyed functions

Prices subject to change without notice

X-Series • Latches and Strikes

LOCKS

Latches with Locks

Finishes 606, 613, 630

Backset	Description	Specify	Add to Lock Price
2-3/4"	Square corner, 1 1/8" x 2-1/4", std.	98535	N/C
	9/16" radius corner, 1-1/8" x 2-1/4"	98538	
	3/4" proj. square corner, 1-1/8" x 2-1/4"	98835S**	
	9/16" radius x 3/4" proj., 1-1/8" x 2-1/4"	98838S**	\$214.00
	Square corner, 1" x 2 1/4"	92330	20.10
1/4" Radius round corner, 1" x 2-1/4"	92331		
2-3/8"*	Square corner, 1" x 2-1/4"	92320	20.10
	1/4" Radius round corner, 1" x 2-1/4"	92321	
5"	Backset Link for 2-3/4" Backset Latch	A22161-005-00	162.00
5"	Stainless Steel backset link for 2-3/4" backset latches	A22161-055-00	135.00

* 2-3/8" backset is furnished as a 1" faceplate standard.

** Only available as a deadlatch.

Note: 1) Stainless steel latch options include: 98535S, 98538S, 98835S, 98838S

Grade 1

Strikes with Locks

Description	Lip Length	Specify	Add to Lock Price
ANSI, 1-1/4" x 4-7/8" standard	1-3/16"	5164	N/C
Square corner, full lip 1-5/8" x 2-1/4"	1"	01-049	
1/4" Radius round corner, full lip 1-5/8" x 2-1/4"	1"	01-048	
Square Corner, T-strike, 1-1/8" x 2-3/4"	1-5/16"	5185	\$125.00
Vermin proof strike for ships, 9/16" radius		5133-4	
2 3/4" high T strike, ANSI A115.3	1	5183	N/C
2 3/4" high T strike, ANSI A115.3	1	5183-4	
2 3/4" high T strike, ANSI A115.3	9/16"	5185-4	
2 3/4" high T strike, ANSI A115.3	1-9/16"	5186	
2 3/4" high T strike, ANSI A115.3	1-13/16"	5187	
2 3/4" high T strike, ANSI A115.3	2-1/16"	5188	
2 3/4" high T strike, ANSI A115.3	2-5/16"	5189	
ANSI dust box 1" deep, steel	-	005099-000-30	
Dust box, 1/2" deep, use with 2-3/4" strike	-	012191-003-70	N/C
Dust box, 1/2" deep, stainless steel	-	012191-000-60	
ANSI, 1-1/4" x 4-7/8"	7/8"	5161	N/C

Cylindrical

X Series

Latches sold separate

Finishes: 606, 613, 630

Latch Face	Backset		List Price
	2-3/8"	2-3/4"	
1" Spring Latch	A92320-000	A92330-000	\$68.10
1" Deadlatch	A92320-00D	A92330-00D	
1" Spring Latch – 1/4" Radius	A92321-000	A92331-000	
1" Deadlatch – 1/4" Radius	A92321-00D	A92331-00D	
1-1/8" Spring Latch *	-	A98535-000	
1-1/8" Deadlatch *		A98535-00D	
1-1/8" Spring Latch – 9/16" Radius *		A98538-000	
1-1/8" Deadlatch – 9/16" Radius *		A98538-00D	
1-1/8" Deadlatch – 3/4" Projection *		A98835-0SD	
1-1/8" Deadlatch – 9/16" Rad. X 3/4" Proj. *		A98838-0SD	
5" Backset Link for 2-3/4" Backset Latch		A22161-005-00	110.00

Note: 1) Marine non-ferrous mechanism latches can be ordered by adding "OSD" for Deadlatch or "OOS" for Springlatch

2) These latches conform to the standards set forth within ANSI/BHMA 156.2, 156.5, & 156.15 and are suitable for marine applications.

3) Marine latches have a \$24.80 add to list price

Shaded items are standard components and are furnished with locks unless otherwise specified.

Prices subject to change without notice

Latches and Strikes - X-Series

Strikes sold separate Finishes: 605, 606, 613, 625, 626, 629, 630			
Description	Lip Length	Specify	List Price
ANSI, 1-1/4" x 4-7/8"	1-3/16"	005164-000	\$14.80
1/4" Radius round corner, full lip 1-5/8" x 2-1/4"	1"	Q001-048	4.60
Square corner, full lip 1-5/8" x 2-1/4"		Q001-049	
Square Corner, T-strike, 1-1/8" x 2-3/4"	1-1/8"	A05185-000	31.10
2-3/4" high T strike, ANSI A115.3	9/16"	A05185-004	
2-3/4" high T strike, ANSI A115.3	1"	A05183-000	52.10
2-3/4" high T strike, ANSI A115.3	1-9/16"	A05183-004	
2-3/4" high T strike, ANSI A115.3	1-13/16"	A05187-000	58.10
2-3/4" high T strike, ANSI A115.3	2-1/16"	A05188-000	
2-3/4" high T strike, ANSI A115.3	2-5/16"	A05189-000	80.20
Vermin proof strike for ships, 9/16" radius		A05133-004-630	
ANSI dust box 1" deep, steel	-	005099-000-30	85.40
ANSI dust box 1" deep, stainless steel	-	005099-000-60	10.80
Dust box, 1/2" deep, stainless steel		012191-000-60	10.80
Dust box, 1/2" deep, use with 2-3/4" strike		012191-003-70	6.60
ANSI, 1-1/4" x 4-7/8"	7/8"	005161-000	2.50

LOCKS

Grade 1

Cylindrical

X Series

Prices subject to change without notice

X-Series - Cylinder Options

LOCKS

Grade 1

Cylindrical

X Series

X-Series Complete Cylinders		
Cylinder Mechanism	Part Number	Price Each
5 pin cylinder X411, 501, 511, 521, 581 E & T	A23152	\$57.00
5 pin cylinder X411, 501, 511, 521, 581 H	A23152-02	
5 pin cylinder X561 – E and T designs	A23151	
5 pin cylinder X561 – H designs, 571 – E & T	A23151-02	
5 pin cylinder X571 – H designs	A23151-03	
6 pin cylinder X411, 501, 511, 521, 581 E & T	A23162	
6 pin cylinder X411, 501, 511, 521, 581 H	A23162-02	
6 pin cylinder X561 – E and T designs	A23161	
6 pin cylinder X561 – H designs, 571 – E & T	A23161-02	
6 pin cylinder X571 – H designs	A23161-03	
7 pin cylinder X411, 501, 511, 521, 581 H	A23172-02	72.00
7 pin cylinder X561 – H designs	A23171-01	
7 pin cylinder X571 – H designs	A23171-02	

- Notes:**
- 1) Cylinders are furnished G keyway, keyed differently unless otherwise specified.
 - 2) Finishes: 606 and 626 only.
 - 3) Specify keyway
 - 4) Restricted sections add \$11.30 to list price. See page 4 for list of standard keyways. All other keyways are considered restricted. Contact 877-671-7011 for availability.

Conventional Cylinder Options		
Description	Specify	Add to Lock Price (per core)
5 pinned cylinder	P Suffix Example: X581P	STD
6 pinned cylinder	P6 Suffix Example: X581P6	N/C
7 pinned cylinder	P7 Suffix Example: X581P7	\$12.30
6 pinned Competitor keyway cylinders*	P6 Suffix Example: X581P6 (0 Bitted, KD, KA4 only)	7.00

* Competitor keyways are furnished 0 bitted, unless otherwise specified. Not available Master keyed.
KD option is not available for locks containing 2 cylinders.

Small Format Interchangeable Core and Small Format Construction Core		
Description	Specify	Add to Lock Price (per core)
Small format core (BEST Style) *	BB6/7 Suffix Example: X581BB6	\$46.00
Small format core (Falcon Style) *	G6/7 Suffix Example: X581G6	
Small format construction core **	H Suffix Example: X581HD	46.00
Less Small format core	B Suffix Example: X581BD	N/C
Small format disposable core	BDC Suffix Example: X581BDC	N/C

- * Keying must be specified
 - ** Locks are assessed one non-refundable handling charge (50-231F) per core.
- Note:** 5) Control keys are not furnished with locks and must be ordered separately. See page 141 for details

Prices subject to change without notice

Knobs					
Part Number	Description	List Price			
		626	605	606	613 625 630
022258-007	Knob, Troy – Closed	\$86.60	\$89.60		
022258-008	Knob, Troy – Emergency				
022258-009	Knob, Troy – SFIC				
022290-007	Knob, Troy – Button/Cylinder	82.40	85.40		
022950-007	Knob, Hana – Closed				
022950-008	Knob, Hana – Emergency				
022953-007	Knob, Hana – Button/Cylinder	74.60	77.60		
022980-007	Knob, Elite – Closed				
022980-008	Knob, Elite – Emergency				
022980-009	Knob, Elite – SFIC				
022981-007	Knob, Elite – Button/Cylinder				

Note: 1) Hana and Elite not available in 630

Roses					
Part Number	Description	List Price			
		626	605	606	613 625 630
022920-000	Rose, Gala	\$38.00	\$41.00		
024030-000	Rose, York				

Miscellaneous Parts		
Part Number	Description	List Price
012138-000	Push button cap (X301/X501/X571)	\$2.90
012137-000	Turn button cap (X511/X521)	2.90
012136-000	Button mount For Elite & Troy knobs (X501/X521/X301/X511)	15.40
012236-000	Button mount For Elite & Troy knobs (X571)	15.40
012966-000	Button mount For Hana knobs (X501/X521/X301/X511)	15.40
012967-000	Button mount For Hana knobs (X571)	15.40
012172-000-30	X Lock Spanner Wrench	2.70

Note: Need to specify finish

Screws				
Part Number	Description	Finishes	Size	List Price
024416-012	Latch and strike screws	606, 613, 626, 630	8-32 x 3/4" combo	\$0.36
021164-016	ANSI strike screws	606, 613, 626, 630	12-24 x 1" combo	0.60

Screws packs				
Part Number	Description	Specify Finish	Contents	List price
A03519-000	Screw pack	605, 613, 626	024416-012 (2 ea)	\$3.70

Prices subject to change without notice

X-Series - Options

LOCKS

Locks Less Components		
Description	Specify	Deduct from Lock Price
Less each knob	LLL for knob design Example: X581PD LLL/EG	\$14.30
Less standard cylinder	L suffix Example: X581LD EG	57.00
Less latch	LLL for latch Example: X581PD EG 626 LLL/5164	61.30
Less strike	LLL for strike Example: X581PD EG 626 98535 LLL	14.30

Grade 1

Tactile Warning		
Description	Specify	Per Knob Lock Price
Abrasive - 6 Prefix ¹	Preface the design code with 6 Example: 6EG for ELITE GALA	\$87.30
Knurled - 8 Prefix ²	Preface the design code with 8 Example: 8EG for ELITE GALA	158.00

Cylindrical

Note: 1) Not available in 613
2) Outside knobs only and not available in 630

X Series

Stainless Steel / Corrosion Resistant Chassis		
Description	Specify	Add to Lock Price
SS – Stainless steel/non-ferrous mechanism	After the function code as "SS" Example: X581 SS PD TG 630	\$276.00

Note: 1) When ordering SS you will get the A98538 OSD Deadlatch standard.

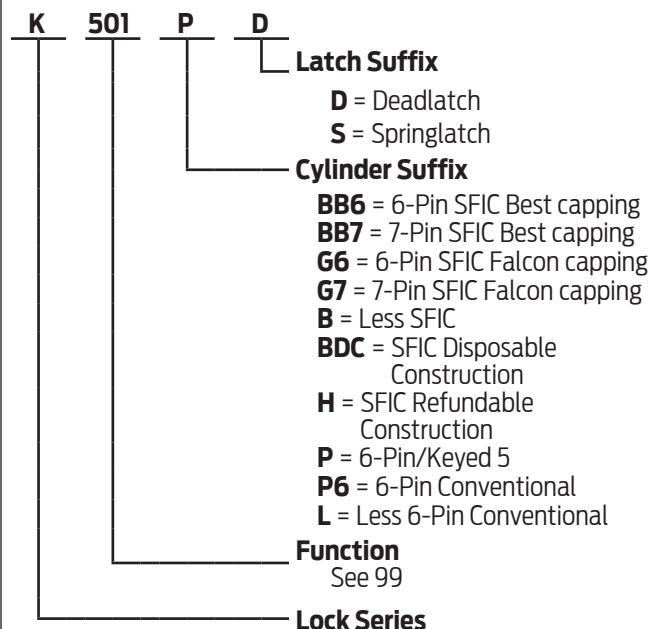
Non-Standard Door Thickness		
Description	Specify	Add to Lock Price
Door thickness over 2-1/8" - 2-1/4"	Door thickness and how door is extended Example: 2-1/4", EE	\$17.80

Prices subject to change without notice

Table of Contents

Functions Charts **76**
 Levers 76
Complete Lock Pricing **77**
 Levers 77
Options **78**
 Conventional Cylinder Options..... 78
 Latches 79
 Strikes 79
 Miscellaneous Parts 80

Product Identification



SFIC = Small Format (Best® Style) Interchangeable Core

Finish Codes and Descriptions

Code		Description
613	(US10B)	Oil Rubbed Bronze
626	(US26D)	Satin Chrome

Standard Features - Furnished unless otherwise specified



Certification	ANSI A156.2, Series 4000, Grade 1, UL Listed for 3-Hour fire door
Latch	1-1/8" x 2-1/4", Square corner faceplate, 1" housing diameter, 1/2" throw, 2-3/4" backset
Strike	1-1/4" x 4-7/8", ANSI, Square curved lip corner, no box
Cylinder	6-Pin, Solid brass, keyed 5-pin, Falcon G keyway, Keyed different (KD)
Door Range	1-3/8" - 2-1/4" standard, come set for a 1-3/4" thick door standard
Keys	Two, Nickel silver cut keys per lock, Falcon G keyway

Prices subject to change without notice

K-Series - Lever Functions

LOCKS

Grade 1

Cylindrical

K Series

ANSI A156.2, Series 4000 Grade 1

Key-In-Lever Locks

FALCON ANSI & Function

K101 F75

Passage Latchset

Latch bolt by levers at all times.



K301 F76

Privacy Lock

Latch bolt by levers. Outside lever is locked by push button in inside lever. Rotating inside lever or closing door release push button and frees outside lever. Inside lever is always free. Emergency release in outside lever unlocks door.



K501 F82

Entry Lock

Push Button Locking. Button on the inside locks outside lever until unlocked by key or by rotating inside lever. Inside lever always free. Deadlocking latch bolt.



K511 F109

Entry/Office Lock

Deadlocking latch bolt by levers. Turn/push button locking. Pushing and turning button locks outside lever, requiring use of a key for unlocking the door until button is manually unlocked. Pushing button locks outside lever until unlocked by key or by rotating inside lever. Inside lever is always free.



Key-In-Lever Locks

FALCON ANSI & Function

K561 F84

Classroom Lock

Deadlocking latch bolt by levers. Outside lever is locked by key in outside lever. Inside lever is always free.



K571

Corridor Lock

Deadlocking latch bolt. Push Button Locking. Button on the inside locks outside lever until unlocked by key or by rotating inside lever. Closing the door releases button. Inside lever always free. Key will lock and unlock from the outside.



K581 F86

Storeroom Lock

Deadlocking latch bolt by lever inside or key outside. Outside lever is always locked. Inside lever is always free.

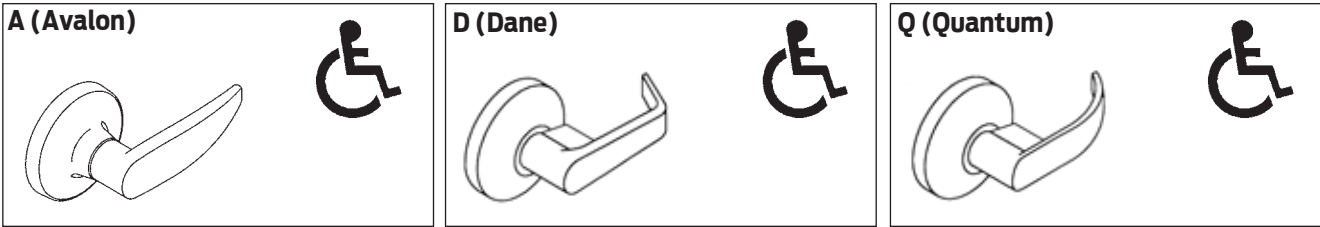


K12

Dummy Trim

Single trim - surface mounted right lever





LOCKS

Grade 1

Cylindrical

K Series

Key-In-Lever		Designs and Finishes	
Function	Description	A D Q	
		626	613
Single Cylinder Functions - Clutched Locked Levers			
K501PD	Entry	\$285.00	\$297.00
K511PD	Entry/Office		
K561PD	Classroom		
K571PD	Dormitory/Corridor		
K581PD	Storeroom		
Non-Keyed Functions			
K101S	Passage	\$234.00	\$246.00
K301S	Privacy	262.00	274.00
Dummy Trim			
K12	Half Dummy	\$120.00	\$126.00

Prices subject to change without notice

K-Series Levers - Cylinder Options

LOCKS

Conventional Cylinder Options

Description	Specify	Add to Lock Price (per core)
5 pinned cylinder	P Suffix Example: K581P	STD
6 pinned cylinder	P6 Suffix Example: K581P6	N/C

* Competitor keyways are furnished 0 bitted.

Not available Master keyed. KD option is not available for locks containing 2 cylinders.

- Notes:**
- 1) Finishes: 613 and 626 only
 - 2) Specify keyway
 - 3) Cylinders are furnished G keyway, keyed differently unless otherwise specified.
 - 4) Restricted sections add \$11.30 to list price. See page 4 for list of standard keyways. All other keyways are considered restricted. Contact 877-671-7011 for availability.

Grade 1

Cylindrical

K-Series Complete Conventional Cylinders

Cylinder Mechanism	Part Number		Price Each
	For All Other Functions	For K571	
6 Pin Falcon keyway cylinder	Q330-396	Q330-310	\$57.00
6 Pin Schlage C keyway cylinder	Q330-391	Q630-306	
6 Pin to 5 Pin Falcon G keyway cylinder	Q330-397	Q330-311	
For other cylinders, see pages 132-136.			

- Notes:**
- 5) Finishes for Falcon keyway cylinders are 613 and 626 only.
 - 6) Falcon cylinders are furnished G keyway unless otherwise specified.
 - 7) Restricted sections see page 131. See Restricted Keyway Policy for standard keyway and policy on use of restricted keyway cylinders. Contact 877-671-7011 for availability.

K Series

Small Format Interchangeable Core and Small Format Construction Core

Description	Specify	Add to Lock Price (per core)
Small format core (BEST Style) *	BB6/7 Suffix Example: X581BB6	\$46.00
Small format core (Falcon Style) *	G6/7 Suffix Example: X581G6	
Small format construction core **	H Suffix Example: K581HD	
Less Small format core	B Suffix Example: K581BD	N/C
Small format disposable core	BDC Suffix Example: K581BDC	N/C

* Keying must be specified

** Locks are assessed one non-refundable handling charge (50-231F) per core.

Note: 8) Control keys are not furnished with locks and must be ordered separately. See page 141 for details

Prices subject to change without notice

Latch & Strike Options - K-Series

LOCKS

Latches with Locks						
Backset	Description	Specify				Add to Lock Price
		Springlatch 101	Restoring Springlatch 301	Deadlatch 501, 511, 561, 581	Restoring Deadlatch 571	
2-3/8"	Square corner	30-267	30-271	30-301	30-386	N/C
	Radius corner	30-269	30-273	30-275	30-388	
2-3/4"	Square corner	30-266	30-270	30-302	30-385	
	Radius corner	30-268	30-272	30-274	30-387	

Note: 1) Standard faceplate size is 2-1/4" x 1-1/8"

Strikes with Locks			
Description	Lip Length	Specify	Add to Lock Price
ANSI, 1-1/4" x 4-7/8" standard	1-3/8"	30-148	N/C
Square Corner, T-Strike 1-1/8" x 2-3/4"	1-3/8"	30-149	
Radius Corner, Full Lip Strike 1-5/8" x 2-1/4"	1"	30-150	
Square Corner, Full Lip Strike 1-5/8" x 2-1/4"	1"	30-151	

Grade 1

Cylindrical

Latches as Parts Finishes: 613, 626						
Backset	Description	Specify				List Price
		Springlatch 101	Restoring Springlatch 301	Deadlatch 501, 511, 561, 581	Restoring Deadlatch 571	
2-3/8"	Square corner	Q630-267	Q630-271	Q630-301	Q330-386	\$58.00
	Radius corner	Q630-269	Q630-273	Q630-275	Q330-388	
2-3/4"	Square corner	Q630-266	Q630-270	Q630-302	Q330-385	
	Radius corner	Q630-268	Q630-272	Q630-274	Q330-387	

K Series

Strikes as Parts Finishes: 613, 626			
Description	Lip Length	Specify	List Price
ANSI, 1-1/4" x 4-7/8" standard	1-3/8"	Q330-148	\$11.40
Square Corner, T-strike, 1-1/8" x 2-3/4"	1-3/8"	Q330-149	
Radius Corner, Full Lip Strike 1-5/8" x 2-1/4"	1"	Q330-150	
Square Corner, Full Lip Strike 1-5/8" x 2-1/4"	1"	Q330-151	

Note: 1) Specify finish when ordering.

Prices subject to change without notice

K-Series - Misc. Parts & Options

LOCKS

Locks Less Components

Description	Specify	Deduct from Lock Price
Less standard (conventional) cylinder	L Suffix Example: K581LD DAN	\$21.80
Less latch	LLL Suffix Example: K581PD6 DAN 626 LLL 30-148	17.20
Less strike	LLL Suffix Example: K581GD7 DAN 626 30-206 LLL	5.70

Screws

Grade 1

Part Number	Description	Finishes	List Price
Q630-254	Screw Pack	613, 626	\$6.00
Q330-399	Screw Pack – Dummy Trim	–	4.30

Miscellaneous Parts

Cylindrical

K Series

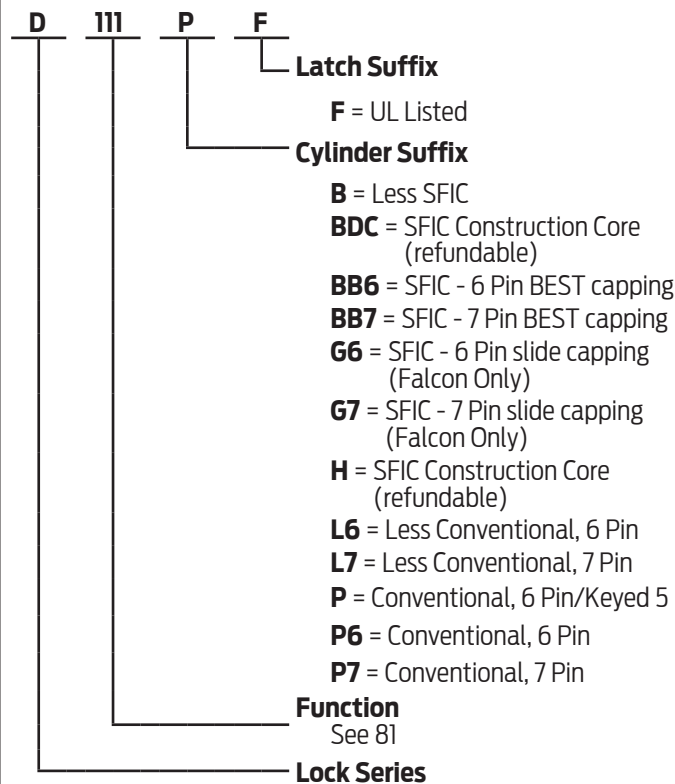
Part Number	Description	List Price
Q330-393	Conventional Falcon G Cylinder tailpiece (K501, 511, 581, 561)	\$4.20
Q330-394	Conventional Falcon G Cylinder tailpiece (K571)	
Q630-312	Conventional Schlage C cylinder tailpiece (K501, 511, 581, 561)	
Q630-288	Conventional Schlage C cylinder tailpiece (K571)	
Q630-289	SFIC Tailpiece (K501, 511, 581, 561)	
Q330-392	SFIC Tailpiece (K571)	
Q630-246	Inside Spring Cage Kit	59.30
Q630-279	2-1/4" x 1-1/8" Faceplate, deadlatch, round corner	6.60
Q630-278	2-1/4" x 1-1/8" Faceplate, deadlatch, square corner	
Q630-277	2-1/4" x 1-1/8" Faceplate, springlatch, round corner	
Q630-276	2-1/4" x 1-1/8" Faceplate, springlatch, square corner	

Prices subject to change without notice

Table of Contents

Function Charts	83
Complete Lock Pricing	84
Options	
Deadbolts	85
Strikes	85
Small Format Interchangeable Cores.....	86
Small Format Construction Cores	86
Lock Less Components	87
Conventional Cylinder Options.....	87
Parts	88
Trim.....	88
Deadbolts	88
Strikes	89
Adapters.....	89

Product Identification



SFIC = Small Format (Best® Style) Interchangeable Core

Finish Codes and Descriptions

Code		Description
605	(US3)	Bright Brass
606	(US4)	Satin Brass
613	(US10B)	Oil Rubbed Bronze
625	(US26)	Bright Chrome
626	(US26D)	Satin Chrome

Standard Features - Furnished unless otherwise specified

Certification	BHMA - ANSI A156.5, 2001, Grade 1 auxiliary lock, Available UL Listed for 3-Hour fire door
Deadbolt	1-1/8" x 2-1/4", Square corner faceplate, 1" housing diameter, 1" throw
Strike	1-1/8" x 2-3/4", lipless, with box
Cylinder	6-Pin, Solid brass, Keyed 5-Pin, Falcon G keyway, Keyed different (KD)
Door Range	1-3/8" - 1 7/8" standard cylinder and thumbturn only; 1-5/8" - 2-1/4" interchangeable core cylinder
Keys	Two, Nickel silver cut keys per lock, Falcon G keyway
Reinforcement	Metal dust box reinforcer with three - 3" screws
Trim Ring	1" Wrought brass or bronze, reinforced with security insert
Backset	2-3/8" and 2-3/4" adjustable



Prices subject to change without notice

D100 Series

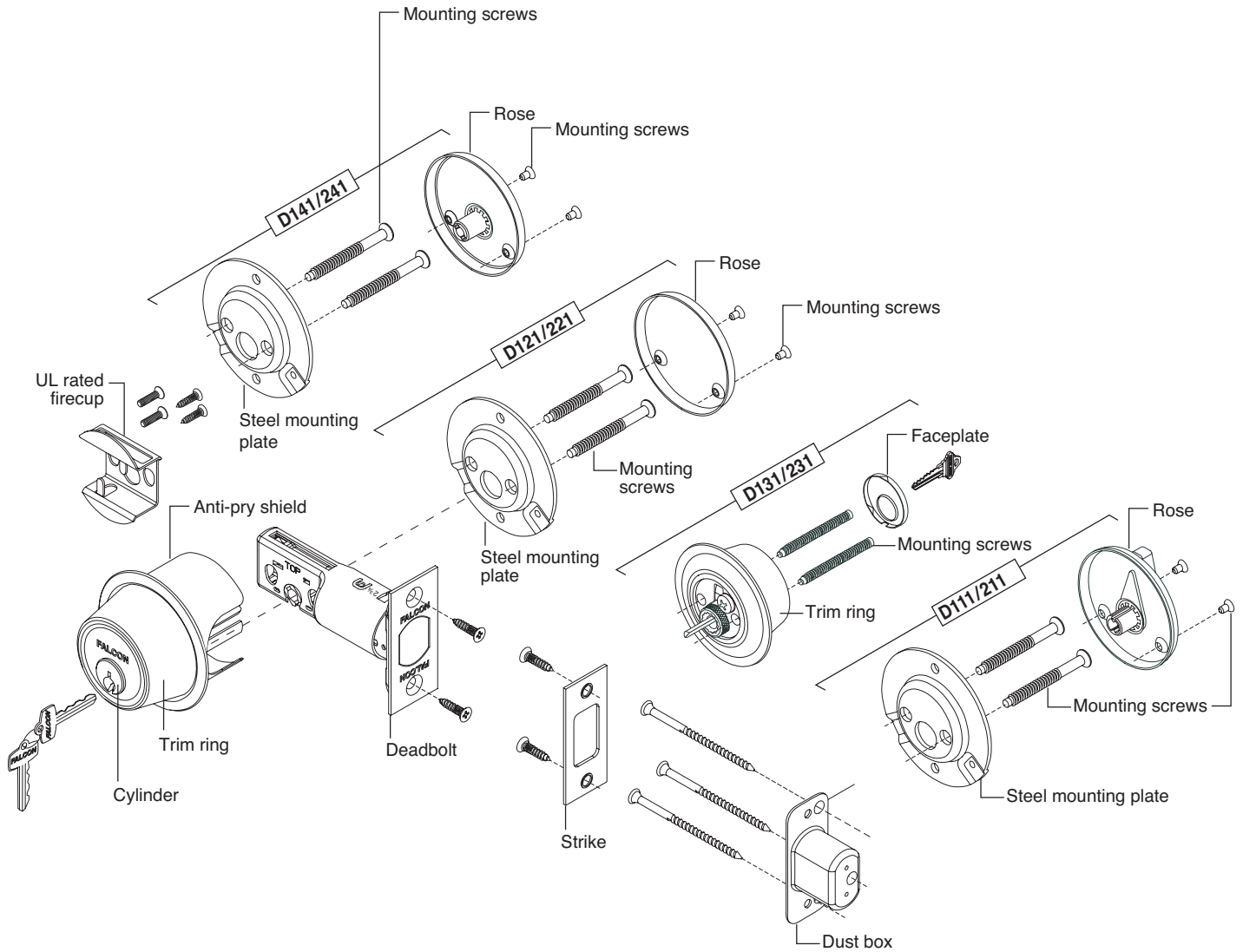
GRADE 1 DEADBOLT

LOCKS

Grade 1

Deadbolt

D100 Series



Prices subject to change without notice

**BHMA / ANSI A156.5, 2001, Grade 1
Bored Deadbolt Locks**

FALCON ANSI

D111P E0171

Classroom Function

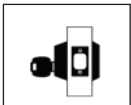
Deadbolt thrown or retracted by key from outside. Inside turn will only retract bolt. Bolt automatically deadlocks when fully thrown.



D121P E0161

Single Cylinder x Rose

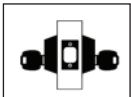
Deadbolt thrown or retracted by key only. Blank plate inside. Bolt automatically deadlocks when fully thrown.



D131P E0141

Double Cylinder

Deadbolt thrown or retracted by key from either side. Bolt automatically deadlocks when fully thrown.



D141P E0151

Single Cylinder x Turn

Deadbolt thrown or retracted by key or by turn. Bolt automatically deadlocks when fully thrown.



D151

Turn x Turn

Deadbolt thrown or retracted by turn unit from either side. Application for shelters. Bolt automatically deadlocks when fully thrown.

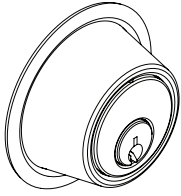


Prices subject to change without notice

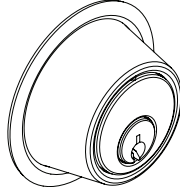
D100 Series - Levers and Parts

LOCKS

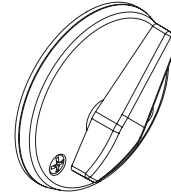
Outside Cylinder Trim



Inside Cylinder Trim



Rose and Turn



D-100 Series

Function	Description	Designs and Finishes			
		626	605	606	613 625
Single Cylinder Functions					
D111P	Classroom Function	\$153.00		\$159.00	
D121P	Single Cylinder x Blank Rose	135.00		141.00	
D141P	Single Cylinder x Turn				
Double Cylinder Functions					
CAUTION: Double cylinder locks on residences and any door in any structure which is used for egress are a life safety hazard in times of emergency and their use is not recommended. Installation should be in accordance with existing codes only.					
D131P	Cylinder x Cylinder	\$175.00		\$181.00	
Non-Keyed Functions					
D151	Turn x Turn	\$112.00		\$118.00	

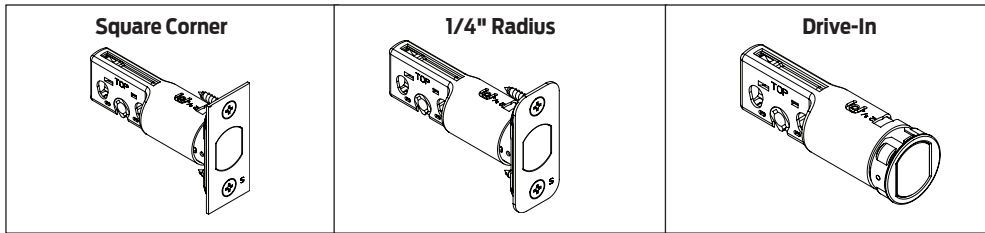
- Notes:**
- 1) Split finishes are priced at the highest finish price.
 - 2) Keying options: See page 4
 - 3) 'F' suffix must be added for UL product.

Grade 1

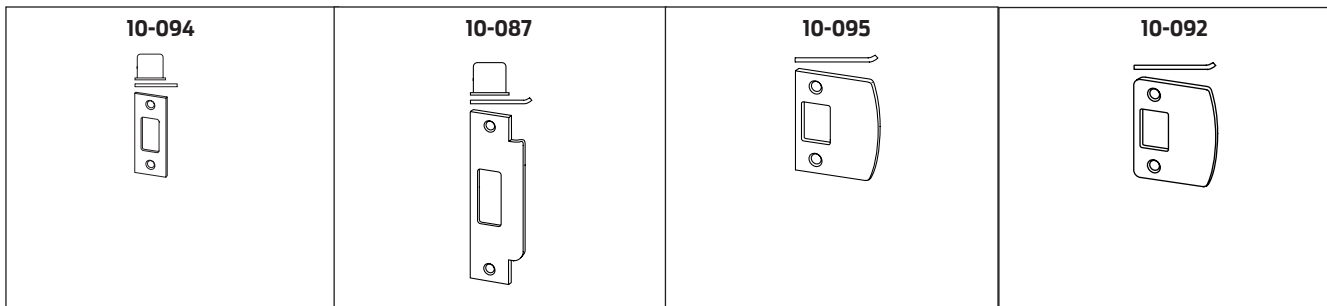
Deadbolt

D100 Series

Prices subject to change without notice



Deadbolts with Locks				
Backset	Description	HSG Dia	Specify	Add to Lock Price
2-3/8" or 2-3/4"	Square corner, 1-1/8" x 2-1/4", standard	1"	30-256	N/C
	Square corner, 1" x 2-1/4"		30-176	
	1/4" Radius round corner, 1" x 2-1/4"		30-178	
	Circular, Drive-In bolt, 626 only		30-257	
For UL Listed Locks				
2-3/8" or 2-3/4" UL	Square corner, 1-1/8" x 2-1/4", standard	1"	30-174	N/C
	Square corner, 1" x 2-1/4"		30-172	
	Circular, Drive-In bolt, 626 only		30-259	



Strikes with Locks			
Description	Lip Length	Specify	Add to Lock Price
Drive-In thimble strike, 1-3/16" dia.	1"	10-064	N/C
ANSI, 1-1/4" x 4-7/8", with box	1-1/8"	10-087	\$6.70
Full Lip, 1/4" radius corner, 1-5/8" x 2-1/4", no box	1-5/16"	10-092	N/C
Square Corner with metal dust box, 1-1/8" x 2-3/4", standard	-	10-094	
Full Lip, square corner, 1-5/8" x 2-1/4", no box		10-095	
1-1/8" square corner and strike		5075	
Dust Box		005099-000	
Strike Reinforcer used with 10-094		37-016	

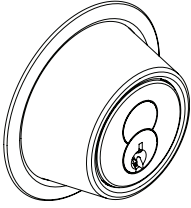
Shaded items are standard components and are furnished with locks unless otherwise specified.

Prices subject to change without notice

D100 Series • Options

LOCKS

Small Format Interchangeable Core



Small Format Interchangeable Core and Small Format Construction Core

Description	Specify	Add to Lock Price (per core)
Small format core (Best Style) *	BB6/7 Suffix Example: D111BB6	\$46.00
Small format core (Falcon Style) *	G6/7 Suffix Example: D111G6	
Small format construction core **	H Suffix Example: D111HD	46.00
Less Small format core	B Suffix Example: D111BD	N/C
Small format disposable core	BDC Suffix Example: D111BDC	N/C

* Keying must be specified

** Locks are assessed one non-refundable handling charge (50-231F) per core.

Notes: 1) Split finishes are priced at the highest finish price.

2) Key section must be specified and applicable charges for restricted sections will be applied. See page 141.

3) Control keys are not furnished with locks and must be ordered separately. See page 141 for details

Grade 1

Deadbolt

D100 Series

Prices subject to change without notice

Lock Less Components		
Description	Specify	Deduct from Lock Price
Less deadbolt	LLL for latch Example: D211P 605 30-171 LLL	\$11.80
Less strike	LLL for strike Example: D211L	3.70
Less conventional cylinder	L suffix Example: D211L	20.60
Less conventional cylinder D131	L suffix Example: D131L	38.80

Conventional Cylinder Options		
Description	Specify	Add to Lock Price (per core)
5 pinned cylinder	P Suffix Example: D111P	STD
6 pinned cylinder	P6 Suffix Example: D111P6	N/C
7 pinned cylinder (Not available on D131)	P7 Suffix Example: D111P7	\$12.30
6 pinned Competitor keyway cylinders*	P6 Suffix Example: D111P6 (0 Bitted, KD, KA4 only)	7.00

* Specify specific competitor keyway on order. Competitor keyways are furnished 0 bitted, unless otherwise specified. Not available Master keyed. KD option is not available for locks containing 2 cylinders.

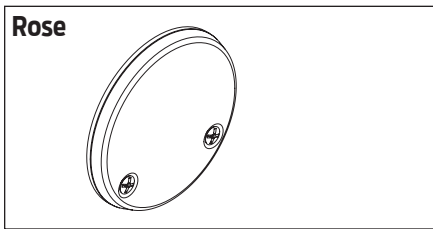
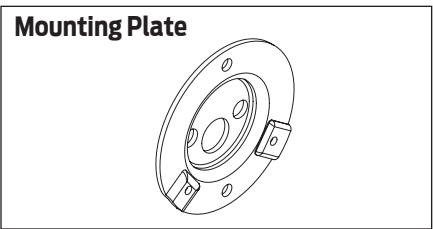
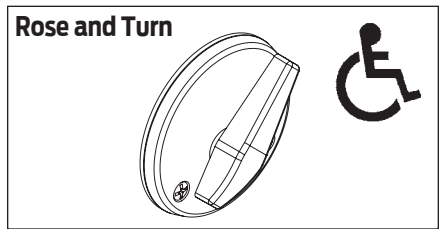
D100-Series Complete Conventional Cylinders		
Cylinder Mechanism	Part Number	Price Each
5 Pin Cylinder - D111, D141	Q500-064	\$57.00
5 Pin Cylinder - D121	Q500-066	
5 Pin Cylinder - D131	Q500-070	
6 Pin Cylinder - D111, D141	Q500-021	
6 Pin Cylinder - D121	Q500-058	
6 Pin Cylinder - D131	Q500-054	
7 Pin Cylinder - D111, D141	Q500-046	72.00
7 Pin Cylinder - D121	Q500-059	

- Notes:**
- 1) Finishes: 606 and 626 only
 - 2) Specify keyway
 - 3) Cylinders are furnished G keyway, keyed differently unless otherwise specified.
 - 4) Restricted sections add \$11.30 to list price. See page 4 for list of standard keyways. All other keyways are considered restricted. Contact 877-671-7011 for availability.

Prices subject to change without notice

D100 Series - Parts

LOCKS

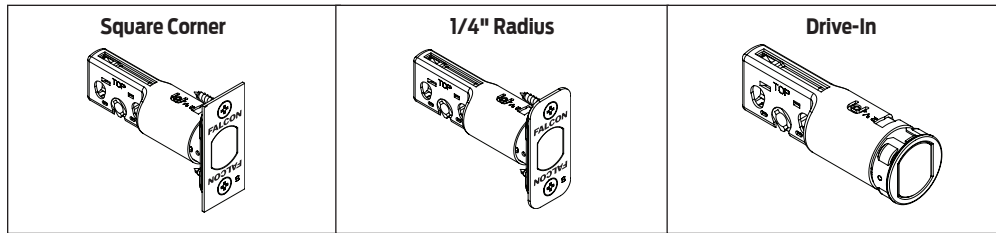


Grade 1

Trim			
Part Number	Specify Finish	Description	Price Each
B302-041	.	Rose and Turn	\$47.60
B302-045	.	Rose and Turn (D111)	47.60
12-626	.	Blank Rose (D121)	27.10
B600-018	.	Mounting plate for rose and rose & turn	11.00

Note: 1) For trim rings and inserts see Cylinders: D100

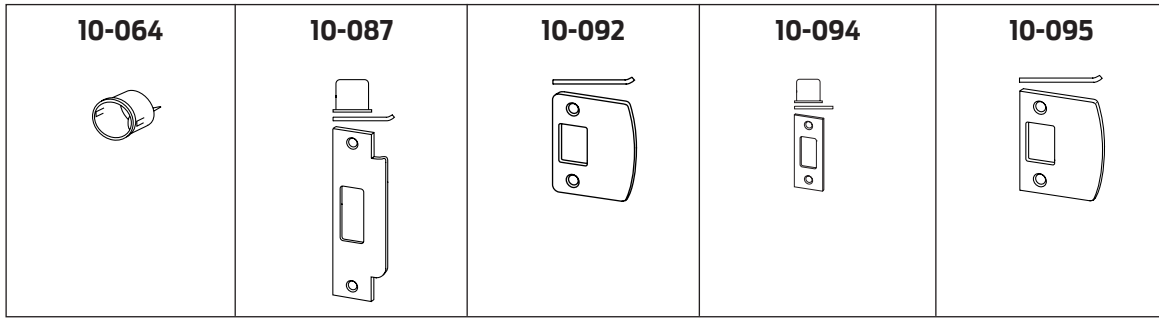
Deadbolt



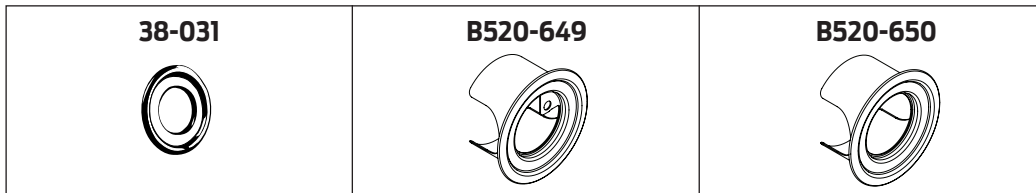
D100 Series

Deadbolts				
Part Number	Specify Finish	Housing Diameter	Description	Price Each
Q330-256	.	2-3/8" or 2- 3/4" Universal	Square corner, 1-1/8" x 2-1/4" faceplate	\$17.40
Q330-176	.		Square corner, 1" x 2-1/4" faceplate	
Q330-178	.		1/4" radius corner, 1" x 2-1/4" faceplate	
Q330-257	626		1" circular drive-in, 626 only	

Prices subject to change without notice



Strikes				
Part Number	Specify Finish	Description	Lip Length	Price Each
10-064	.	Drive-In, thimble strike, 1-3/16" deep	-	\$17.90
10-087	.	ANSI, 1-1/4" x 4-7/8, with box	1-1/8"	24.50
10-094	.	Square corner with metal dust box, 1-1/8" x 2-3/4"	-	12.70
10-092	.	Full lip, 1/4" radius corner, 1-5/8" x 2-1/4", no box	1-5/16"	8.20
10-095	.	Full lip, square corner, 1-5/8" x 2-1/4", no box		8.40
J250-028		2" strike mounting screws		2.20
5075	.	Security Strike	-	10.30



Adapters			
Part Number	Specify Finish	Description	Price Each (per finish)
			605 606 613 625 626
38-031	.	2-1/2" diameter adapter ring for 2-1/8" door prep, for under cylinder	\$20.40
B520-649	.	Trim ring w/shield for D131/D141	25.20
B520-650	.	Trim ring w/shield for IC functions	25.20
36-071	.	1-3/8" IC Core thin door shim kit, contains 36-066 & 36-068	15.60

Prices subject to change without notice

LOCKS

Screws						
Part Number	Specify Finish	Description		Application		Price Each (Order in multiples of 100)
		Size	Type	Use	Door Thickness	
Keyed, Single Conventional Cylinder						
B600-100		1/4"-28 x 1-15/16"	POH mach.	Mounting	1-3/8" - 1-3/4"	\$2.60
B600-101		1/4"-28 x 2.425"	POH mach.	Mounting	over 1-3/4"	
B600-066	.	6-32 x 1/4"	PH mach.	Turn	-	0.84
B520-298		10-32 x 3/8"	PH mach.	Anti-pry shield	-	
Keyed, Single SFIC Cylinder						
B600-100		1/4"-28 x 1-15/16"	POH mach.	Mounting	1-3/8" - 2-1/4"	2.60
B600-066	.	6-32 x 1/4"	PH mach.	Turn	-	
Keyed, Double Conventional Cylinder						
B600-047		1/4"-28 x 3-13/16"	PH mach.	Mounting	1-3/8" - 1-3/4"	2.60
B600-078		1/4"-28 x 3-29/64"	PH mach.	Mounting	over 1-3/4"	
B520-298		10-32 x 3/8"	PH mach.	Anti-pry shield	-	0.84
Keyed, Double SFIC Cylinder						
B600-053		1/4"-28 x 3-61/64"	PH mach.	Mounting	1-3/4" - 2-1/4"	2.60
B520-298		10-32 x 3/8"	PH mach.	Anti-pry shield	-	0.84
All Functions						
C603-897	.	#8 x 3/4"	PFH combo	Deadbolt & strike	-	0.96
J250-028		#8 x 2"	PFH wood	2" strike screw	-	2.20
R525-256		#12 x 3"	PFH wood	3" metal dust box	-	

Grade 1

Deadbolt

D100 Series

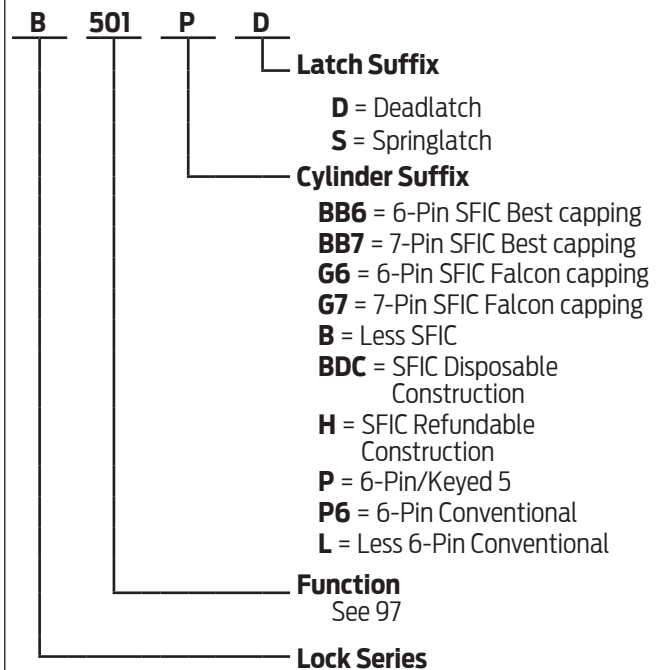
Screw Packs				
Part Number	Specify Finish	Door Thickness	Contents	Price Each
Keyed, Single Conventional Cylinder				
61-500	.	1 3/8" - 1 3/4"	(1) B600-018 (2) B600-100 (2) B600-066 (4) C603-897	\$15.60
61-501	.	over 1 3/4" - 2 1/4"	(1) B600-018 (2) B600-101 (2) B600-066 (4) C603-897	15.60
Keyed, Single SFIC Cylinder				
61-500	.	1 3/8" - 2"	(1) B600-018 (2) B600-100 (2) B600-066 (4) C603-897	\$15.60
Keyed, Double Conventional Cylinder				
61-502	.	1 3/8" - 1 3/4"	(2) B600-047 (4) C603-897	\$11.90
61-503	.	over 1 3/4" - 2 1/4"	(2) B600-078 (4) C603-897	11.90
Keyed, Double SFIC Cylinder				
61-507	.	1 3/8" - 2"	(2) B600-053 (4) C603-897	\$11.90

Prices subject to change without notice

Table of Contents

Functions **93**
Complete Lock Pricing **94**
Options **95**
 Conventional Cylinder Options.....95
 Small Format Interchangeable Cores.....95
 Small Format Construction Cores95
 Latches96
 Strikes96
 Lock Less Components..... 97
 Tactile Warning Strip (not available in 613)..... 97
Parts
 Levers 97
 Roses..... 97
 Chassis Assemblies 97
 Screws.....98
 Misc. Parts.....98

Product Identification



SFIC = Small Format (Best® Style) Interchangeable Core

Finish Codes and Descriptions

Code		Description
605	(US3)	Bright Brass
606	(US4)	Satin Brass
613	(US10B)	Oil Rubbed Bronze
625	(US26)	Bright Chrome
626	(US26D)	Satin Chrome

Standard Features - Furnished unless otherwise specified



Certification	ANSI A156.2, Series 4000, Grade 2, UL Listed for 3-Hour fire door
Latch	1-1/8" x 2-1/4", Square corner faceplate, 1" housing diameter, 1/2" throw, 2-3/4" backset
Strike	1-1/4" x 4-7/8", ANSI, Square corner, no box
Cylinder	6-Pin, Solid brass, Keyed 5-Pin, Falcon G keyway, Keyed different (KD)
Door Range	1-3/8" - 2" standard (exceptions for communicating locks - see pg 98)
Keys	Two, Nickel silver cut keys per lock, Falcon G keyway

Prices subject to change without notice

B Series

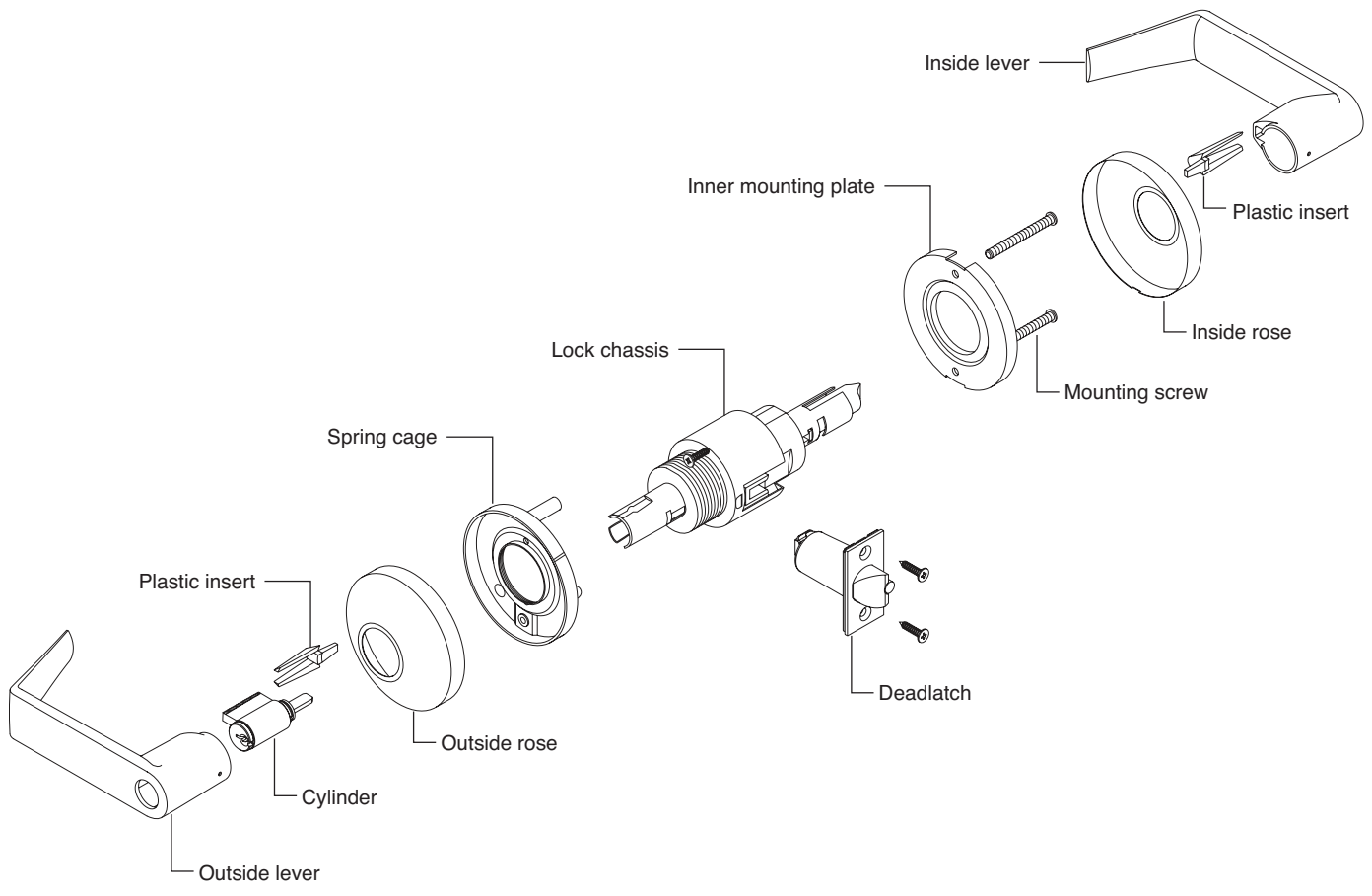
GRADE 2 CYLINDRICAL LOCK

LOCKS

Grade 2

Cylindrical

B Series



Prices subject to change without notice

ANSI A156.2 Series 4000 Grade 2

Key-In-Lever Locks

FALCON ANSI

B101 F75



Passage/Closet Latchset

Latch bolt by levers at all times.

B161 F111



Communicating Passage Lock

Deadlocking latch bolt by inside lever.
Non-removable blank plate outside.

B301 F76



Privacy/Bedroom/Bath Lock

Latch bolt by levers. Outside lever locked by push button in inside lever. Rotating inside lever or closing door releases push button. Emergency release in outside lever unlocks door.

B341 F112



Communicating Store Room Lock

Deadlocking latch bolt by inside lever locked by push button in inside lever except when locked by key. Non-removable blank plate on opposite side of lever (11/16" projection).

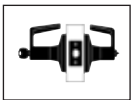
B501 F82



Entry Lock

Push button locking. Button on inside locks outside lever until unlocked by key or by rotating inside lever. Inside lever always free. Deadlocking latch bolt.

B511 F109



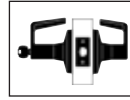
Entry/Office Lock

Turn/push button locking. Pushing and turning button locks outside lever requiring use of key until button is manually unlocked. Push button locking. Pushing button locks outside lever until unlocked by key or by rotating inside lever. Inside lever always free. Deadlocking latch bolt.

Key-In-Lever Locks

FALCON ANSI

B561 F84



Classroom Lock

Deadlocking latch bolt by levers. Outside lever is locked by key in outside lever. Inside lever is always unlocked for immediate egress.

B581 F86



Store Room

Deadlocking latch bolt by lever inside or key outside. Outside lever is always locked. Inside lever is always unlocked for immediate egress.

B611 F90



Dormitory/Corridor Lock

Deadlocking latch bolt by levers except when locked by push button on inside lever. Key in outside lever locks or unlocks outside lever and releases button. Closing door releases push button. Inside lever is always free.

B12



Dummy Trim

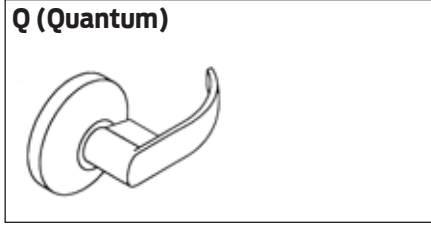
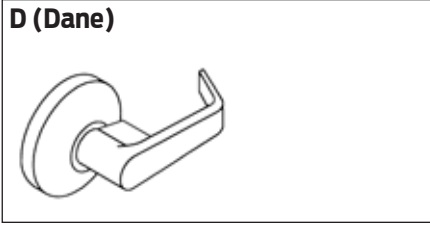
Single Trim-surface mounted rigid lever.

Prices subject to change without notice

B-Series • Complete Locks

Grade 2 Standard Duty Cylindrical Locksets
ANSI-A156.2, SERIES 4000, GRADE 2

LOCKS



Grade 2

Cylindrical

B Series

Key-In-Lever		Designs and Finishes			
		D Q			
Function	Description	626	605	606	613 625
Single Cylinder Functions					
B341PD*	Connecting/Exit	\$224.00			\$236.00
B501PD	Entry				
B511PD	Entry/Office				
B561PD	Classroom				
B581PD	Storeroom				
B611PD	Dormitory/Corridor	253.00			265.00
Non-Keyed Functions					
B101S	Passage	\$161.00			\$173.00
B161D*	Communicating Latch				
B301S	Privacy	186.00			198.00
Dummy Trim					
B12	Half Dummy	\$73.00			\$79.00

* The B161 and B341 need to be specified as shown for correct door ranges: 138 for (1-3/8"- 1-5/8") or 134 for (>1-5/8"-2")

Prices subject to change without notice

Conventional Cylinder Options		
Description	Specify	Add to Lock Price (per core)
5 pinned cylinder	P Suffix Example: B581P	STD
6 pinned cylinder	P6 Suffix Example: B581P6	N/C
6 pinned Competitor keyway cylinders*	P6 Suffix Example: B581P6 (0 Bitted, KD, KA4 only)	\$7.00

* Specify specific competitor keyway on order. Competitor keyways are furnished 0 bitted, unless otherwise specified. Not available Master keyed. KD option is not available for locks containing 2 cylinders.

B-Series Complete Conventional Cylinders		
Cylinder Mechanism	Part Number	Price Each
5 Pin Cylinder	A23155-02	\$57.00
5 Pin Cylinder - B611	A23151-06	
6 Pin Cylinder	A23165-02	
6 Pin Cylinder - B611	A23161-06	

- Notes:**
- 1) Finishes: 606 and 626 only.
 - 2) Specify keyway.
 - 3) Cylinders are furnished G keyway, keyed differently unless otherwise specified.
 - 4) Restricted sections add \$11.30 to list price. See page 4 for list of standard keyways. All other keyways are considered restricted. Contact 877-671-7011 for availability.

Small Format Interchangeable Core and Small Format Construction Core		
Description	Specify	Add to Lock Price (per core)
Small format core (BEST Style) *	BB6/7 Suffix Example: B581BB6	\$46.00
Small format core (Falcon Style) *	G6/7 Suffix Example: B581G6	
Small format construction core **	H Suffix Example: B581HD	46.00
Less Small format core	B Suffix Example: B581BD	N/C
Small format disposable core	BDC Suffix Example: B581BDC	N/C

*Keying must be specified.
** Locks are assessed one non-refundable handling charge (50-231F) per core.

Note: 5) Control keys are not furnished with locks and must be ordered separately. See page 141 for details

Prices subject to change without notice

B-Series • Latch and Strike Options

LOCKS

Latches with Locks				
Backset	Description	Specify		Add to Lock Price
		Springlatch/Deadlatch	301/611	
2-3/4"	Square corner, 1-1/8" x 2-1/4", standard	57435	57635	N/C
	Square corner, 1" x 2-1/4"	57430	57630	
	1/4" Radius round corner, 1" x 2-1/4"	57431	57631	
2-3/8" **	Square corner, 1" x 2-1/4"	57420	57620	N/C
	Square corner, 1-1/8"	57425	57625	
	1/4" Radius round corner, 1" x 2-1/4"	57421	57621	
5"	Backset extension link	A31727-005-00 *		\$41.40

* Backset extension link A31727-005-00 must be used with 2-3/8" backset latches

** 2-3/8" backset is furnished as a 1" faceplate standard.

Grade 2

Strikes with Locks			
Description	Lip Length	Specify	Add to Lock Price
ANSI, 1-1/4" x 4-7/8" standard	1-3/16"	5164	N/C
Square Corner, full lip 1-5/8" x 2-1/4"	1"	01-049	N/C
1/4" Radius round corner, full lip 1-5/8" x 2-1/4"	1"	01-048	N/C
Square Corner, T-strike, 1-1/8" x 2-3/4"	1-5/16"	01-046	N/C
ANSI dust box 1" deep, steel	-	005099-000-30	N/C
ANSI, 1-1/4" x 4-7/8"	7/8"	5161	N/C

Cylindrical

Latches sold separate Finishes: 605, 613, 630			
Latch Face	Backset & Price		
	2-3/8"	2-3/4"	Price
1" Spring Latch (101)	A57420-000	A57430-000	\$30.40
1" Spring Latch (301)	A57620-000	A57630-000	
1" Spring Latch - 1/4" Rad. (101)	A57421-000	A57431-000	
1" Spring Latch - 1/4" Rad. (301)	A57621-000	A57631-000	
1" Deadlatch	A57420-00D	A57430-00D	
1" Deadlatch (611)	A57620-00D	A57630-00D	
1" Deadlatch - 1/4" Rad.	A57421-00D	A57431-00D	
1" Deadlatch - 1/4" Rad. (611)	A57621-00D	A57631-00D	
1-1/8" Spring Latch (101)	A57425-000	A57435-000	
1-1/8" Spring Latch (301)	A57625-000	A57635-000	
1-1/8" Deadlatch	A57425-00D	A57435-00D	
1-1/8" Deadlatch (611)	A57625-00D	A57635-00D	

B Series

Strikes sold separate Finishes: 605, 606, 613, 626, 630 (ANSI only)			
Description	Lip Length	Specify	List Price
Square Corner, T-strike, 1-1/8" x 2-3/4"	1-1/8"	Q001-046	\$4.60
1/4" Radius round corner, full lip 1-5/8" x 2-1/4"	1"	Q001-048	
Square corner, full lip 1-5/8" x 2-1/4"		Q001-049	
ANSI, 1-1/4" x 4-7/8" standard	1-3/16"	005164-000	14.80
ANSI dust box 1" deep, steel	-	005099-000-30	10.80
ANSI, 1-1/4" x 4-7/8"	7/8"	005161-000	24.90

Shaded items are standard components and are furnished with locks unless otherwise specified.

Prices subject to change without notice

Trim and Chassis Options - B-Series

LOCKS

Grade 2

Cylindrical

B Series

Lock Less Components		
Description	Specify	Deduct from Lock Price
Less standard cylinder	L suffix Example: B581LD DAN	\$55.00
Less latch	LLL for latch Example: B581PD DAN 626 LLL 5164	14.30
Less strike	LLL for strike Example: B581PD DAN 626 57435 LLL	10.80

Tactile Warning		
Description	Specify	Per Lever Lock Price
Abrasive Strip*	Preface the design code with 6 Example: 6DA for DAN	\$52.20

* Not available in 613

Levers		
Part Number	Description	List Price
		605, 606, 613, 625, 626
A31750-000	Lever, Dane closed	\$44.80
A31751-000	Lever, Quantum closed	
A31750-001	Lever, Dane open	
A31751-001	Lever, Quantum open	
031700-002	Lever, Dane IC	
031701-002	Lever, Quantum IC	

Roses		
Part Number	Description	List Price
		605, 606, 613, 625, 626
031702-000	Rose, Outer	\$18.00
031703-000	Rose, Inner	
A31764-000	Rose, Blank Insert and Post	

B Series Chassis Assemblies			
Part Number		Description	Price
Conventional Cylinder	IC Core		
A31706-000-00		B101 Chassis	\$130.00
A31707-000-00		B161 Chassis – 1-5/8" – 2" Door Thickness	
A31707-002-00		B161 Chassis – 1-3/8" – 1-5/8" Door Thickness	130.00
A31709-000-00	A31709-001-00	B301/501 Chassis	157.00
A31714-000-00	A31714-001-00	B511 Chassis	
A31715-000-00	A31715-001-00	B561 Chassis	211.00
A31716-000-00	A31716-001-00	B581 Chassis	157.00
A31708-000	A31708-001	B341 Chassis – >1-5/8" – 2" Door Thickness	
A31708-002	A31708-003	B341 Chassis – 1-3/8" – 1-5/8" Door Thickness	
A31739-000	A31739-001	B611 Chassis	236.00

Note: 4) Chassis provided with trim finish on B341 and B611.

Prices subject to change without notice

B-Series • Parts

LOCKS

Screws				
Part Number	Description	Finishes	Size	List Price
021164-016	ANSI strike screws	606, 613, 626, 630	12-24 x 1" combo	\$0.56
024416-012	Latch and strike screws	606, 613, 626, 630	8-32 x 3/4" combo	0.34
A31767-000	Screw pack 2-Strike screws, 2- Latch screws, 2- Mounting screws, 2- ANSI Strike screws, and 1- Pin Wrench	605, 613, 626		5.20

Grade 2

Miscellaneous Parts		
Part Number	Description	List Price
031705-000-30	Inside Rose Liner	\$2.20
031718-000	Push button cap	2.60
031719-000	Turn button cap	2.90
031741-000-50	Lever insert	0.60

Cylindrical

B Series

Prices subject to change without notice

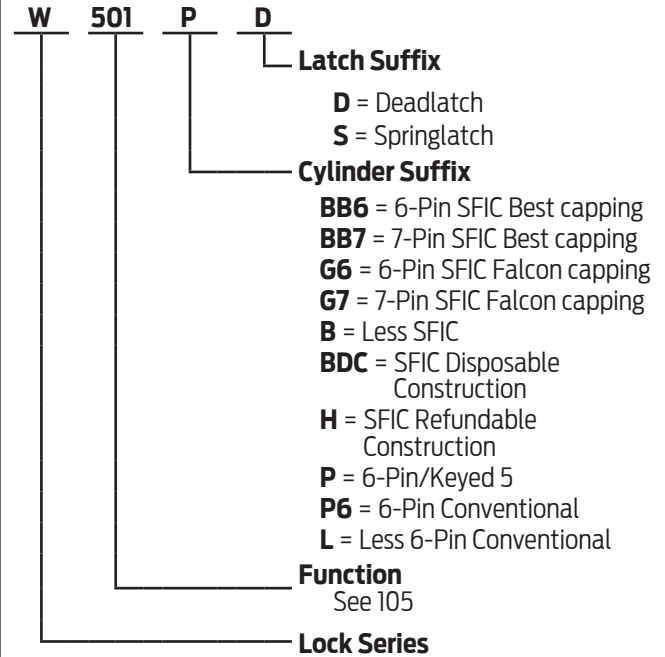
Table of Contents

Function Charts **101**
 Levers 101
 Function Charts..... 102
 Knobs 102

Complete Lock Pricing
 Levers/Knobs 103
 Small Rose Levers/Knobs 104

Options
 Conventional Cylinder Options..... 105
 Complete Conventional Cylinders 105
 Interchangeable Core & Const. Core 105
 Latches 106
 Strikes 106
 Lock Less Components 107
 Tactile Warning Strip 107
 Screws 107
 Misc. Parts..... 107

Product Identification



SFIC = Small Format (Best® Style) Interchangeable Core

Finish Codes and Descriptions

Code		Description
605	(US3)	Bright Brass
606*	(US4)	Satin Brass
613	(US10B)	Oil Rubbed Bronze
619	(US15)	Satin Nickel
622		Matte Black
625	(US26)	Bright Chrome
626	(US26D)	Satin Chrome
643E	(US11)	Aged Bronze

*Not available on small rose

Standard Features - Furnished unless otherwise specified



Certification	ANSI A156.2, Series 4000, Grade 2, UL Listed for 3-Hour fire door
Latch	1-1/8" x 2-1/4", Square corner faceplate, 1" housing diameter, 1/2" throw, 2-3/4" backset
Strike	1-1/4" x 4-7/8", ANSI, Square corner, no box
Cylinder	6-Pin, Solid brass, keyed 5-pin, Falcon G keyway, Keyed different (KD)
Door Range	1-3/8" - 1-3/4" standard
Keys	Two, Nickel silver cut keys per lock, Falcon G keyway

Prices subject to change without notice

W Series

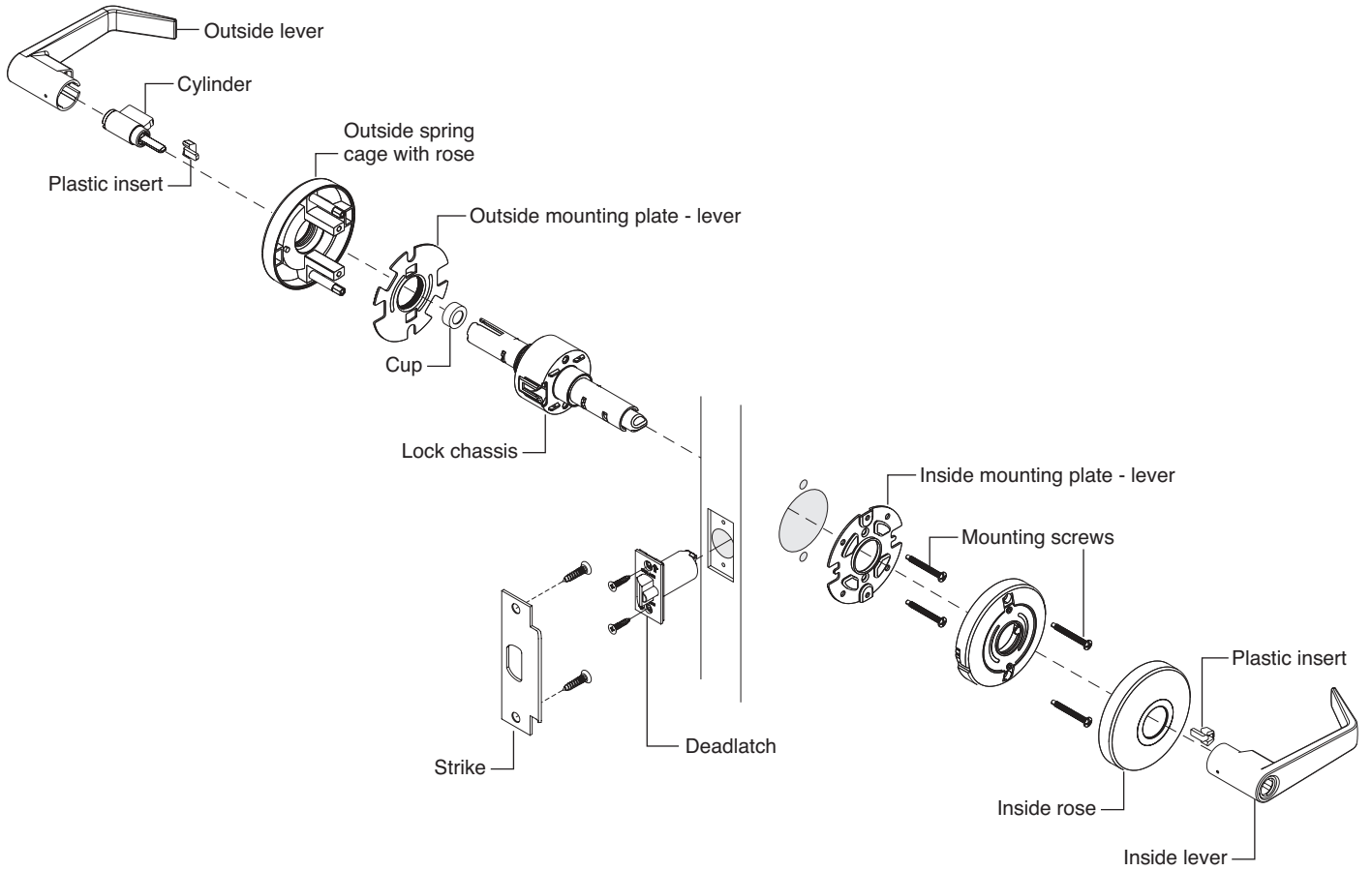
GRADE 2 CYLINDRICAL LOCK

LOCKS

Grade 2

Cylindrical

W Series



Prices subject to change without notice

ANSI A156.2, Series 4000 Grade 2

Key-In-Lever Locks

FALCON ANSI & Function

W101 F75



Passage Latchset

Latch bolt by levers at all times.

W161 F111



Communicating/Exit Latch

Deadlocking latch bolt by inside lever. Non-removable blank plate outside.

W201* F77



Patio Lock

Deadlocking latch bolt by levers. Outside lever is locked by push button from inside. Rotating inside lever or closing door releases button and unlocks outside lever.

W301 F76



Privacy Lock

Latch bolt by levers. Outside lever is locked by push button in inside lever. Rotating inside lever or closing door release push button and frees outside lever. Inside lever is always free. Emergency release in outside lever unlocks door.

W501* F82



Entry Lock

Push Button Locking. Button on the inside locks outside lever until unlocked by key or by rotating inside lever. Inside lever always free. Deadlocking latch bolt.

FUNCTION CHANGE NOTE: THIS LOCK WILL STAY LOCKED WHEN THE DOOR IS CLOSED. IF YOU WANT YOUR DOOR TO UNLOCK WHEN IT CLOSES, PLEASE PURCHASE THE 571 FUNCTION.

W511 F109



Entry/Office Lock

Deadlocking latch bolt by levers. Turn/push button locking. Pushing and turning button locks outside lever, requiring use of a key for unlocking the door until button is manually unlocked. Pushing button locks outside lever until unlocked by key or by rotating inside lever. Inside lever is always free.

Key-In-Lever Locks

FALCON ANSI & Function

W561 F84



Classroom Lock

Deadlocking latch bolt by levers. Outside lever is locked by key in outside lever. Inside lever is always free.

W571*



Corridor Lock

Deadlocking latch bolt. Push button locking only. Button on the inside locks outside lever until unlocked by key or by rotating inside lever. Closing the door releases button. Inside lever always free.

NEW FUNCTION NOTE: THIS LOCK WILL UNLOCK WHEN THE DOOR IS CLOSED. IF YOU WANT YOUR DOOR TO REMAIN LOCKED WHEN IT CLOSES, PLEASE PURCHASE THE 501 FUNCTION.

W581 F86



Storeroom Lock

Deadlocking latch bolt by lever inside or key outside. Outside lever is always locked. Inside lever is always free.

W711*



Apartment Entrance Lock

Deadlocking latch bolt by levers. Turn/push button locking. Pushing and turning button locks outside lever, requiring use of a key for unlocking the door until button is manually unlocked. Pushing button locks outside lever until unlocked by key, by rotating inside lever, or by closing door. Inside lever is always free.

W12/W18*



Dummy Trim

Single or double available. Single (W12) Double (W18)

* Functions are not available for small rose option

Prices subject to change without notice

W-Series - Knob Functions

LOCKS

ANSI A156.2, Series 4000 Grade 2

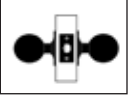
Key-In-Knob Locks

FALCON ANSI & Function

W101 F75

Passage Latchset

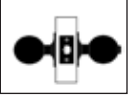
Latch bolt by knob at all times.



W301 F76

Privacy Lock

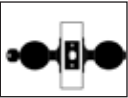
Latch bolt by knobs. Outside knob is locked by push button in inside lever. Rotating inside knob or closing door release push button and frees outside knob. Inside knob is always free. Emergency release in outside knob unlocks door.



W501 F82

Entry Lock

Push Button Locking. Button on the inside locks outside knob until unlocked by key or by rotating inside knob. Inside knob always free. Deadlocking latch bolt.

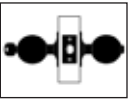


FUNCTION CHANGE NOTE: THIS LOCK WILL STAY LOCKED WHEN THE DOOR IS CLOSED. IF YOU WANT YOUR DOOR TO UNLOCK WHEN IT CLOSES, PLEASE PURCHASE THE 571 FUNCTION.

W511 F109

Entry/Office Lock

Deadlocking latch bolt by knobs. Turn/push button locking. Pushing and turning button locks outside knob, requiring use of a key for unlocking the door until button is manually unlocked. Pushing button locks outside knob until unlocked by key or by rotating inside lever. Inside knob is always free.



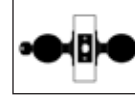
Key-In-Knob Locks

FALCON ANSI & Function

W561 F84

Classroom Lock

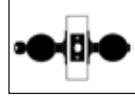
Deadlocking latch bolt by knobs. Outside knob is locked by key in outside knob. Inside knob is always free.



W571

Corridor Lock

Deadlocking latch bolt. Push Button Locking. Button on the inside locks outside knob until unlocked by key or by rotating inside knob. Closing the door releases button. Inside knob always free.

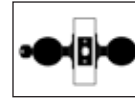


NEW FUNCTION NOTE: THIS LOCK WILL UNLOCK WHEN THE DOOR IS CLOSED. IF YOU WANT YOUR DOOR TO REMAIN LOCKED WHEN IT CLOSES, PLEASE PURCHASE THE 501 FUNCTION.

W581 F86

Storeroom Lock

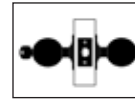
Deadlocking latch bolt by knob inside or key outside. Outside knob is always locked. Inside knob is always free.



W711

Apartment Entrance Lock

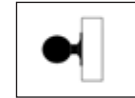
Deadlocking latch bolt by knobs. Turn/push button locking. Pushing and turning button locks outside knob, requiring use of a key for unlocking the door until button is manually unlocked. Pushing button locks outside knob until unlocked by key, by rotating inside knob, or by closing door. Inside knob is always free.



W12

Dummy Trim

Single Trim rigid knob.

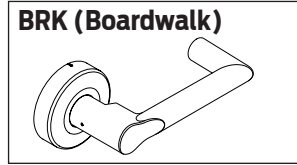
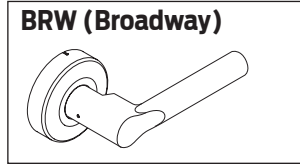
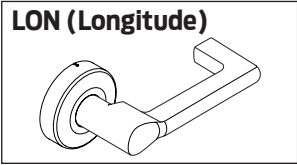
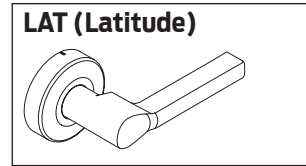
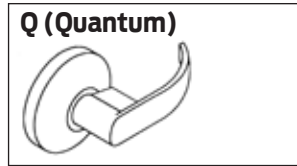
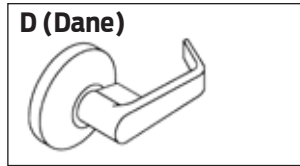
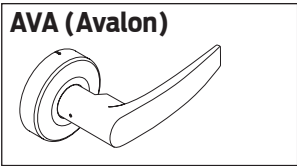


Grade 2

Cylindrical

W Series

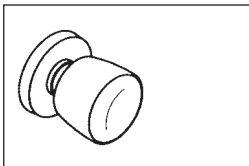
Prices subject to change without notice



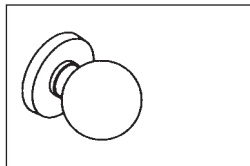
		Designs and Finishes											
		AVA	D	Q	LAT	LON	BRW	BRK	AVA	D	Q	LAT	LON
Function	Description	626	643E					605	606	613	619	622	625
Single Cylinder Functions													
W501PD	Entry												
W511PD	Entry/Office												
W561PD	Classroom												
W571PD	Dormitory/Corridor	\$122.00				\$134.00							
W581PD	Storeroom												
W711PD	Apartment Entry												
Non-Keyed Functions													
W101S	Passage	\$111.00				\$123.00							
W161D	Communicating/Exit												
W201D	Patio	112.00				124.00							
W301S	Privacy												
Dummy Trim													
W12	Half Dummy	\$66.00				\$72.00							
W18	Two Sided Dummy	130.00				142.00							

Note: 1) New Finishes (643E, 619, 622) & New Levers (AVA, LAT, LON, BRW, BRK) are not available on W18 function.

ELI (Elite)



HAN (Hana)



		Designs and Finishes							
		E H							
Function	Description	626				605	606	613	625
Single Cylinder Functions									
W511PD	Entry/Office								
W561PD	Classroom								
W571PD	Corridor								
W581PD	Storeroom								
W711PD	Apartment Entry	\$71.00		\$83.00					
Non-Keyed Functions									
W101S	Passage	\$58.00		\$70.00					
W301S	Privacy	59.00		71.00					
Dummy Trim									
W12	Half Dummy	\$43.00		\$49.00					

Note: 2) Not available with a small rose. Small rose option is for levers only.

Prices subject to change without notice

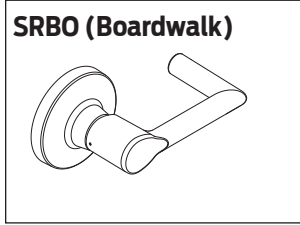
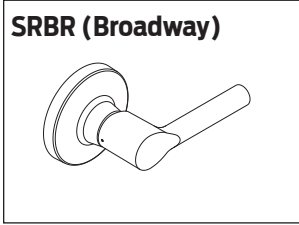
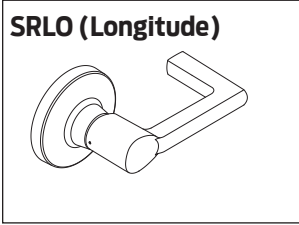
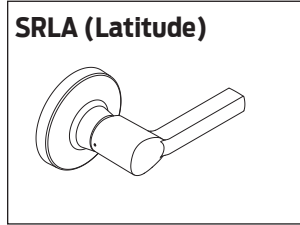
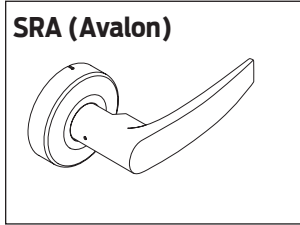
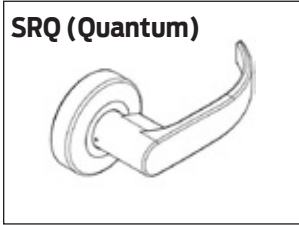
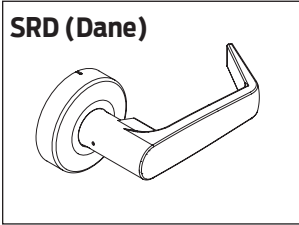
W-Series Small Rose • Levers Complete Locks

LOCKS

Grade 2

Cylindrical

W Series



Small Rose 2-9/16" (65mm)					
		Designs and Finishes			
		SRA, SRD, SRQ, SRLA, SRLO, SRBR, SRBO			
Function	Description	626	643E	605	613 619 622 625
Single Cylinder Functions					
W511	Entry/Office				
W561	Classroom		\$147.00		\$159.00
W581	Storeroom				
Non-Keyed Functions					
W101	Passage		\$120.00		\$132.00
W161	Communicating/Exit				
W301	Privacy		122.00		134.00
Dummy Trim					
W12	Single Dummy		\$70.00		\$76.00

How to Order the Small Rose Option

Small Rose 2-9/16" (65mm)			
Function	Cylinder	Trim	Finish
W511	PD	SRD	626

Prices subject to change without notice

Conventional Cylinder Options - both small and regular rose sizes		
Description	Specify	Add to Lock Price (per core)
5 pinned cylinder	P Suffix Example: W581P	STD
6 pinned cylinder	P6 Suffix Example: W581P6	N/C
6 pinned Competitor keyway cylinders*	P6 Suffix Example: W581P6 (0 Bitted, KD, KA4 only)	\$7.00

* Competitor keyways are furnished 0 bitted.
Not available Master keyed. KD option is not available for locks containing 2 cylinders.

- Notes:**
- 1) Finishes: 606, 622, & 626 only.
 - 2) Specify keyway.
 - 3) Cylinders are furnished G keyway, keyed differently unless otherwise specified.
 - 4) Restricted sections add \$11.30 to list price. See page 4 for list of standard keyways. All other keyways are considered restricted. Contact 877-671-7011 for availability.
 - 5) 622 Finish is available only on Allegion cylinders (P, P6, & P7) in C & G Keyways.

W-Series Complete Conventional Cylinders		
Cylinder Mechanism	Part Number For All Other Functions	Price Each
6 Pin Falcon keyway cylinder	Q330-154	\$57.00
6 Pin Schlage C keyway cylinder	Q330-152	
For other cylinders, see pages 132-136.		

- Notes:**
- 6) Finishes for Falcon keyway cylinders are 606, 622, & 626 only.
 - 7) Falcon cylinders are furnished G keyway unless otherwise specified.
 - 8) Restricted sections see page 131. See Restricted Keyway Policy for standard keyway and policy on use of restricted keyway cylinders. Contact 877-671-7011 for availability.

Small Format Interchangeable Core and Small Format Construction Core		
Description	Specify	Add to Lock Price (per core)
Small format core (BEST Style) *	BB6/7 Suffix Example: B581BB6	\$46.00
Small format core (Falcon Style) *	G6/7 Suffix Example: B581G6	
Small format construction core **	H Suffix Example: W581HD	46.00
Less Small format core	B Suffix Example: W581BD	N/C
Small format disposable core	BDC Suffix Example: W581BDC	N/C

* Keying must be specified
** Locks are assessed one non-refundable handling charge (50-231F) per core.

- Note:**
- 9) Control keys are not furnished with locks and must be ordered separately. See page 141 for details.
 - 10) 622 Finish is available only on SFIC (G) in C & G Keyways.

Prices subject to change without notice

W-Series - Latch & Strike Options

LOCKS

Latches with Locks

Backset	Description	Specify			Add to Lock Price
		Springlatch 101, 301	Deadlatch 161, 501, 511, 561, 581	Restoring Deadlatch 201, 511**, 571, 711	
2-3/8"*	Square corner, 1-1/8" x 2-1/4"	30-209	30-203	30-200	N/C
	Square corner, 1" x 2-1/4"	30-207	30-201	30-198	
	Radius corner, 1" x 2-1/4"	30-208	30-202	30-199	
2-3/4"	Square corner, 1-1/8" x 2-1/4"	30-206	30-197	30-194	
	Square corner, 1" x 2-1/4"	30-204	30-195	30-192	
	Radius corner, 1" x 2-1/4"	30-205	30-196	30-193	

* 2-3/8" backset is furnished as a 1" faceplate standard.

** W511 Standard offering is the Deadlatch 30-197, however if a Restoring Deadlatch is needed it will have to be ordered 30-194

Grade 2

Strikes with Locks

Description	Lip Length	Specify	Add to Lock Price
ANSI, 1-1/4" x 4-7/8" standard	1-3/8"	30-148	N/C
Square Corner, T-Strike 1-1/8" x 2-3/4"	1-3/8"	30-149	
Radius Corner, Full Lip Strike 1-5/8" x 2-1/4"	1"	30-150	
Square Corner, Full Lip Strike 1-5/8" x 2-1/4"	1"	30-151	

Cylindrical

W Series

Latches as Parts Finishes: 605, 606, 613, 619, 622, 625, 626, 643E

Backset	Description	Specify			List Price
		Springlatch 101, 301	Deadlatch 161, 501, 511, 561, 581	Restoring Deadlatch 201, 511, 571, 711	
2-3/8"	Square corner, 1-1/8" x 2-1/4"	Q330-209	Q330-203	Q330-200	\$11.40
	Square corner, 1" x 2-1/4"	Q330-207	Q330-201	Q330-198	
	Radius corner, 1" x 2-1/4"	Q330-208	Q330-202	Q330-199	
2-3/4"	Square corner, 1-1/8" x 2-1/4"	Q330-206	Q330-197	Q330-194	
	Square corner, 1" x 2-1/4"	Q330-204	Q330-195	Q330-192	
	Radius corner, 1" x 2-1/4"	Q330-205	Q330-196	Q330-193	

Strikes as Parts Finishes: 605, 606, 613, 619, 622, 625, 626, 643E

Description	Lip Length	Specify	List Price
ANSI, 1-1/4" x 4-7/8" standard	1-3/8"	Q330-148	\$11.40
Square Corner, T-strike, 1-1/8" x 2-3/4"	1-3/8"	Q330-149	
Radius Corner, Full Lip Strike 1-5/8" x 2-1/4"	1"	Q330-150	
Square Corner, Full Lip Strike 1-5/8" x 2-1/4"	1"	Q330-151	

Note: 1) Specify finish when ordering.

Shaded items are standard components and are furnished with locks unless otherwise specified.

Prices subject to change without notice

Locks Less Components		
Description	Specify	Deduct from Lock Price
Less standard (conventional) cylinder	L Suffix Example: W581LD DAN	\$7.60
Less latch	LLL Suffix Example: W581PD6 DAN 626 LLL 30-148	7.00
Less strike	LLL Suffix Example: W581GD7 DAN 626 30-206 LLL	7.00

Tactile Warning		
Description	Specify	Per Lever Lock Price
Abrasive Strip*	Preface the design code with 6 Example: W581PD6 6DA (for Dane) For small rose: preface the design code with 6S Example for Small Rose: W501PD 6SD (for Dane) 6SQ (for Quantum)	\$57.80

* Not available in 613 or on Avalon, Latitude, Longitude, Broadway and Boardwalk

Screws			
Part Number	Description	Finishes	List Price
Q005-085	Screw Pack — Knobs	605, 606, 613, 625, 626	\$6.50
Q330-170	Screw Pack	605, 606, 613, 625, 626	6.50
Q330-182	Screw Pack — Dummy Trim	—	4.60
Q330-179	Screw Pack — Small Rose	605, 606, 613, 625, 626	6.50

Miscellaneous Parts		
Part Number	Description	List Price
Q330-164	Conventional Cylinder tailpiece for all keyed functions	\$4.60
Q330-168	SFIC Tailpiece (throw member for levers)	
Q330-169	SFIC Tailpiece (throw member for knobs)	
Q330-282	Inside Spring Cage Kit	11.00
Q330-448	Inside Spring Cage Kit, Small Rose	12.40
Q330-447	Outside Spring Cage Kit, Small Rose	12.40
Q033-026	Cylinder Lever Insert	0.28

Prices subject to change without notice

LOCKS

Grade 2

Cylindrical

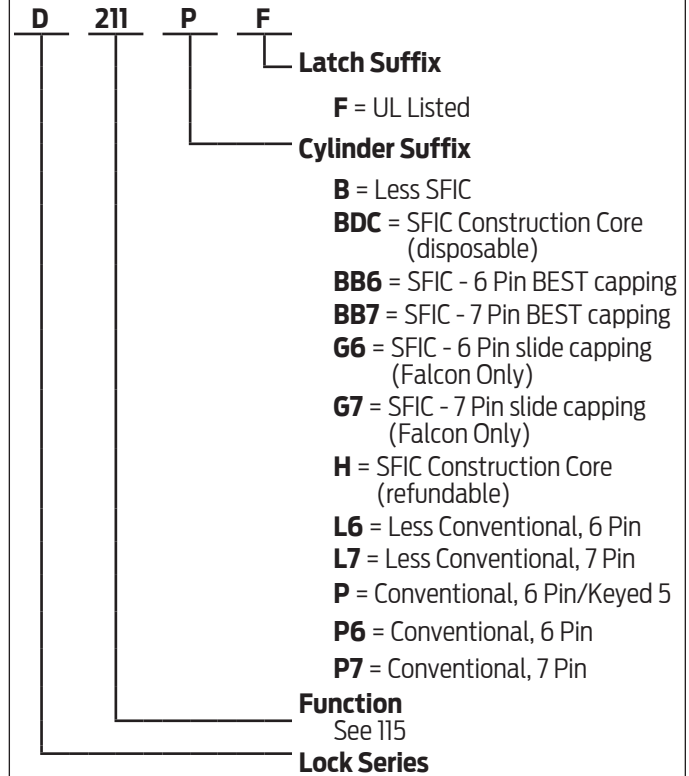
W Series

Prices subject to change without notice

Table of Contents

Function Chart 111
Complete Lock Pricing 112
Options
 Deadbolts113
 Strikes113
 Small Format Interchangeable Cores.....114
 Small Small Construction Cores114
 Lock Less Components115
 Conventional Cylinder Options.....115
Parts
 Trim..... 116
 Deadbolts 116
 Keys..... 116
 Strikes 117
 Adapters..... 117
 Screws..... 118
 Screw Packs 119

Product Identification



SFIC = Small Format (Best® Style) Interchangeable Core

Finish Codes and Descriptions

Code		Description
605	(US3)	Bright Brass
606	(US4)	Satin Brass
613	(US10B)	Oil Rubbed Bronze
619	(US15)	Satin Nickel
622	(US19)	Matte Black
643e	(US11)	Aged Bronze
625	(US26)	Bright Chrome
626	(US26D)	Satin Chrome

Standard Features - Furnished unless otherwise specified



Certification	BHMA - ANSI A156.5, 2001, Grade 2 (except D261M) auxiliary lock, Available UL Listed for 3-Hour fire door
Deadbolt	1-1/8" x 2-1/4", Square corner faceplate, 1" housing diameter, 1" throw
Strike	1-1/8" x 2-3/4", lipless, with box
Cylinder	6-Pin, Solid brass, Keyed 5-Pin, Falcon G keyway, Keyed different (KD)
Door Range	1-3/8" - 2-1/4" standard cylinder or thumbturn only; 1-5/8" - 2" interchangeable core cylinder
Keys	Two, Nickel silver cut keys per lock, Falcon G keyway
Reinforcement	Metal dust box reinforcer with three - 3" screws
Trim Ring	1" Wrought brass or bronze, reinforced with security insert
Backset	2-3/8" and 2-3/4" adjustable



Prices subject to change without notice

D200 Series

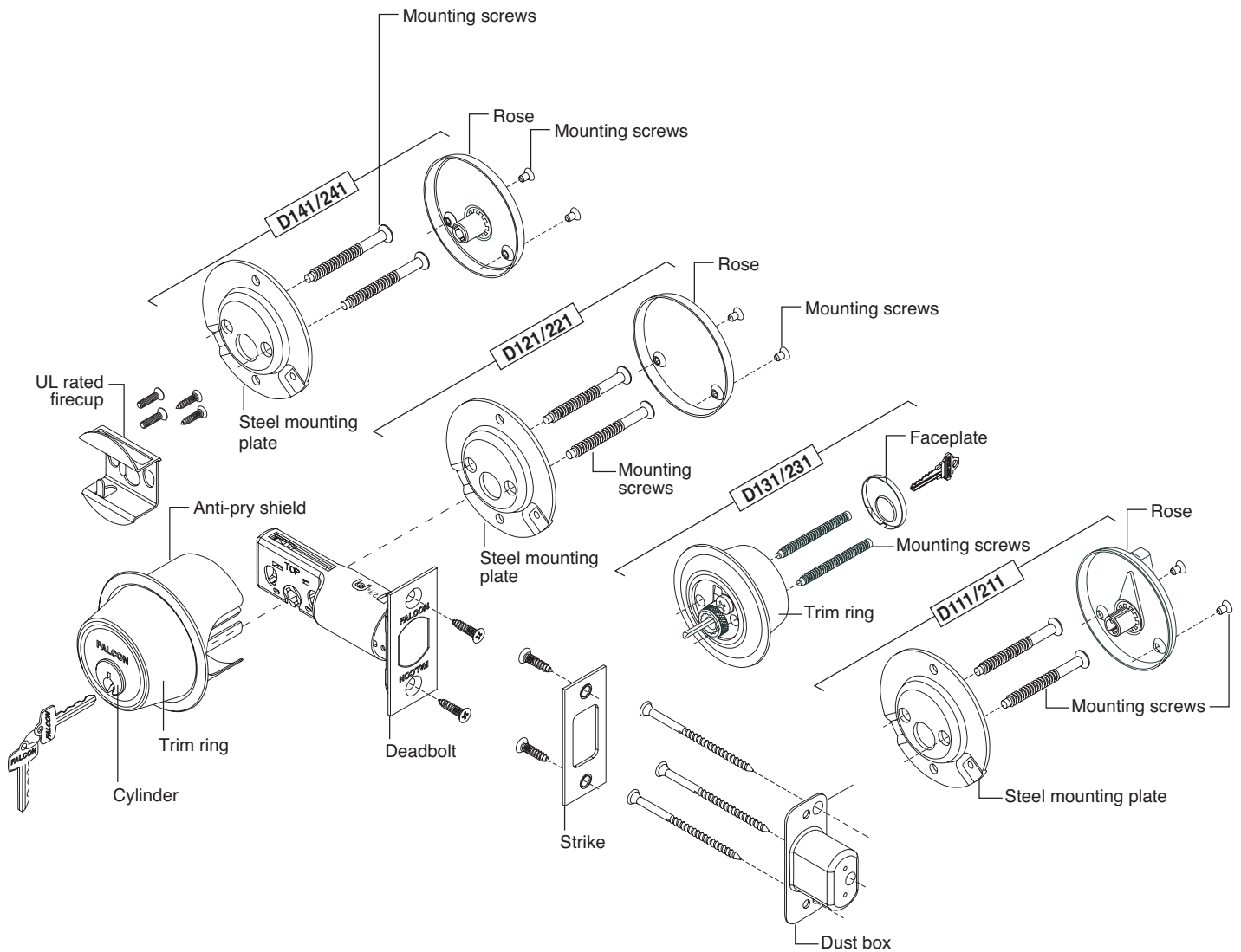
GRADE 2 DEADBOLT

LOCKS

Grade 2

Deadbolt

D200 Series



Prices subject to change without notice

**BHMA / ANSI A156.5, 2001, Grade 2
Bored Deadbolt Locks**

FALCON ANSI

D211P E0172

Classroom Function

Deadbolt thrown or retracted by key from outside. Inside turn will only retract bolt. Bolt automatically deadlocks when fully thrown.



D221P E0162

Single Cylinder x Rose

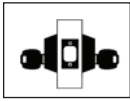
Deadbolt thrown or retracted by key only. Blank plate inside. Bolt automatically deadlocks when fully thrown.



D231P E0142

Double Cylinder*

Deadbolt thrown or retracted by key from either side. Bolt automatically deadlocks when fully thrown.



D241P E0152

Single Cylinder x Turn

Deadbolt thrown or retracted by key or by turn. Bolt automatically deadlocks when fully thrown.



D251

Thumbturn x Thumbturn

Deadbolt thrown or retracted by turn unit from either side. Application for storm shelters. Bolt automatically deadlocks when fully thrown.



D261 E0192

Thumbturn, Inside Only

Deadbolt thrown or retracted by turn unit only. No outside trim. Bolt automatically deadlocks when fully thrown.



D261M E01112

Thumbturn, Inside x Rose

Deadbolt thrown or retracted by turn unit only. Outside blank rose. Bolt automatically deadlocks when fully thrown.



D271

Thumbturn x Occupancy Indicator

Deadbolt thrown or retracted by turn unit only. Occupancy indicator on outside (reads either in use or vacant with color coding). Bolt automatically deadlocks when fully thrown.

Note: This function is not UL Listed.

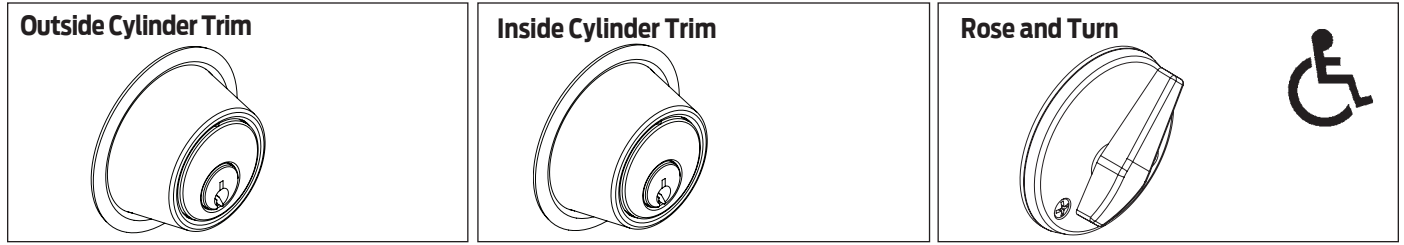


* **Caution:** Double cylinder locks on residences and any door, in any structure, which is used for egress are a life safety hazard in times of emergency and their use is not recommended. Installation should be in accordance with existing codes only.

Prices subject to change without notice

D200-Series - Complete Locks

LOCKS



Grade 2

Deadbolt

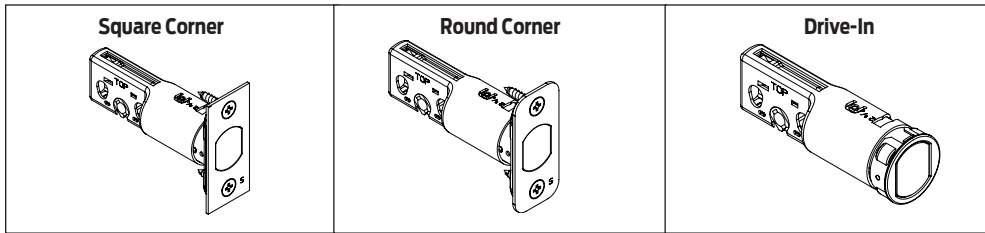
D200 Series

D-200 Series		Designs and Finishes					
Function	Description	626 643e	605	606	613	619	622 625
Keyless							
D251	Turn x Turn						
D261	Turn, Inside Only	\$59.00					\$65.00
D261M	Turn, Inside x Rose						
D271	Turn, Inside x Occupancy Indicator	60.00					66.00
Single Cylinder Functions							
D211P	Classroom Function	\$80.00					\$86.00
D221P	Single Cylinder x Rose	77.00					83.00
D241P	Single Cylinder x Turn						
Double Cylinder Functions							
CAUTION: Double cylinder locks on residences and any door in any structure which is used for egress are a life safety hazard in times of emergency and their use is not recommended. Installation should be in accordance with existing codes only.							
D231P	Double Cylinder	\$101.00					\$107.00

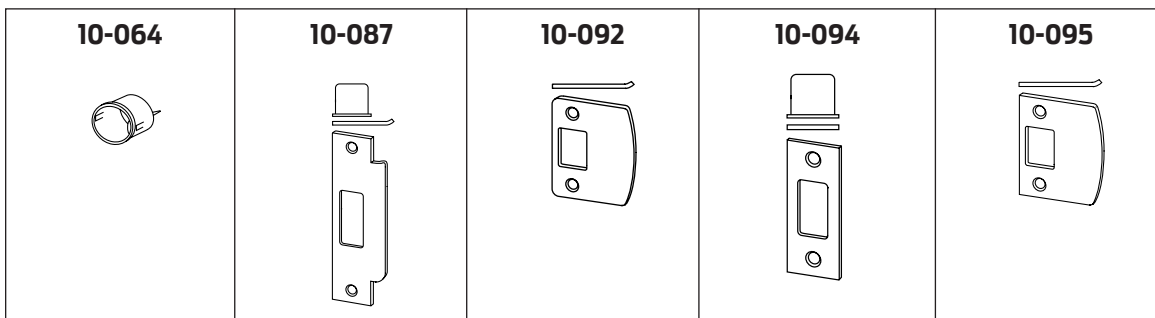
- Notes:**
- 1) Split finishes are priced at the highest finish price.
 - 2) D271 Occupancy Indicator deadbolt is shipped with emergency key (61-509) and instructions.
 - 3) 'F' Suffix must be added for UL product

Prices subject to change without notice

Bolt & Strike Options - D200 Series



Deadbolts with Locks				
Backset	Description	HSG Dia	Specify	Add to Lock Price
2-3/8" or 2-3/4"	Square corner, 1-1/8" x 2-1/4", standard	1"	30-253	N/C
	Square corner, 1" x 2-1/4"		30-175	
	1/4" Radius round corner, 1" x 2-1/4"		30-177	
	Circular, Drive-In bolt, 626 only		30-254	
For UL Listed Locks				
2-3/8" or 2-3/4" UL	Square corner, 1-1/8" x 2-1/4", standard	1"	30-173	N/C
	Square corner, 1" x 2-1/4"		30-171	
	Circular, Drive-In bolt, 626 only		30-258	

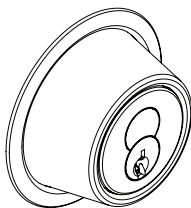


Strikes with Locks			
Description	Lip Length	Specify	Add to Lock Price
Drive-In thimble strike, 1-3/16" dia.	1"	10-064	N/C
ANSI, 1-1/4" x 4-7/8", with box	1-1/8"	10-087	\$6.50
Full Lip, 1/4" radius corner, 1-5/8" x 2-1/4", no box	1-5/16"	10-092	N/C
Square Corner with metal dust box, 1-1/8" x 2-3/4", standard	-	10-094	
Full Lip, square corner, 1-5/8" x 2-1/4", no box		10-095	
ANSI Dust Box 1" Deep, Steel		005099-000-30	
Strike Reinforcer, used with 10-094		37-016	

Shaded items are standard components and are furnished with locks unless otherwise specified.

Prices subject to change without notice

Small Format Interchangeable Core



Small Format Interchangeable Core and Small Format Construction Core

Description	Specify	Add to Lock Price (per core)
Small format core (BEST Style) *	BB6/7 Suffix Example: D211BB6	\$46.00
Small format core (Falcon Style) *	G6/7 Suffix Example: D211G6	
Small format construction core **	H Suffix Example: D211HD	46.00
Less Small format core	B Suffix Example: D211BD	N/C
Small format disposable core	BDC Suffix Example: D211BDC	N/C

* Keying must be specified

** Locks are assessed one non-refundable handling charge (50-231F) per core.

- Notes:**
- 1) Split finishes are priced at the highest finish price.
 - 2) Key section must be specified and applicable charges for restricted sections will be applied. See page 141
 - 3) Control keys are not furnished with locks and must be ordered separately. See page 141 for details.
 - 4) Adapter kit 36-071 required for interchangeable core cylinders on 1-3/8" doors.

Prices subject to change without notice

Lock Less Components		
Description	Specify	Deduct from Lock Price
Less deadbolt	LLL for latch Example: D211P 605 30-171 LLL	\$10.30
Less strike	LLL for strike Example: D211L	3.40
Less conventional cylinder	L suffix Example: D211L	19.00
Less conventional cylinder D231	L suffix Example: D231L	38.00

Conventional Cylinder Options		
Description	Specify	Add to Lock Price (per core)
5 pinned cylinder	P Suffix Example: D211P	STD
6 pinned cylinder	P6 Suffix Example: D211P6	N/C
7 pinned cylinder (Not available on D231)	P7 Suffix Example: D211P7	\$12.30
6 pinned Competitor keyway cylinders*	P6 Suffix Example: D211P6 (0 Bitted, KD, KA4 only)	7.00

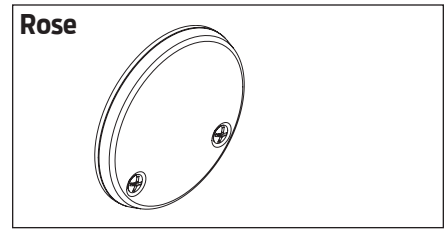
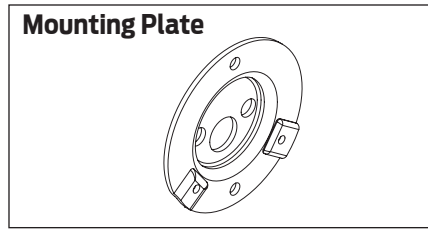
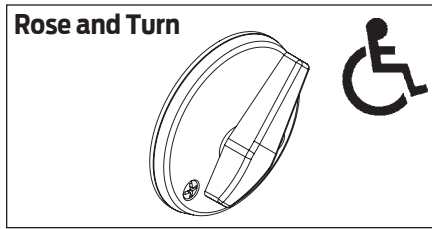
* Specify specific competitor keyway on order. Competitor keyways are furnished 0 bitted, unless otherwise specified. Not available Master keyed. KD option is not available for locks containing 2 cylinders.

D200-Series Complete Conventional Cylinders		
Cylinder Mechanism	Part Number	Price Each
5 Pin Cylinder - D211, D241	Q500-067	\$57.00
5 Pin Cylinder - D221	Q500-069	
5 Pin Cylinder - D231	Q500-072	
6 Pin Cylinder - D211, D241	Q500-010	
6 Pin Cylinder - D221	Q500-056	
6 Pin Cylinder - D231	Q500-012	
7 Pin Cylinder - D211, D241	Q500-014	72.00
7 Pin Cylinder - D221	Q500-057	

- Notes:**
- 1) Finishes: 606 and 626 only
 - 2) Specify keyway
 - 3) Cylinders are furnished G keyway, keyed differently unless otherwise specified.
 - 4) Restricted sections add \$11.30 to list price. See page 4 for list of standard keyways. All other keyways are considered restricted. Contact 877-671-7011 for availability.

Prices subject to change without notice

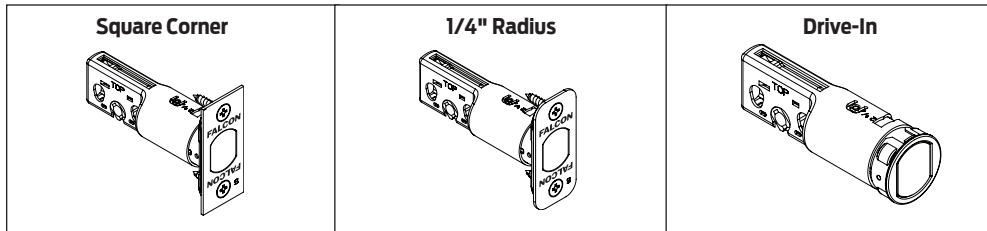
LOCKS



Grade 2

Trim			
Part Number	Specify Finish	Description	Price Each
B302-041	.	Rose and Turn	\$46.70
B302-045	.	Rose and Turn (D211)	46.70
12-626	.	Blank Rose (D221)	26.60
B600-018	.	Mounting plate for rose and rose & turn	10.80

Deadbolt

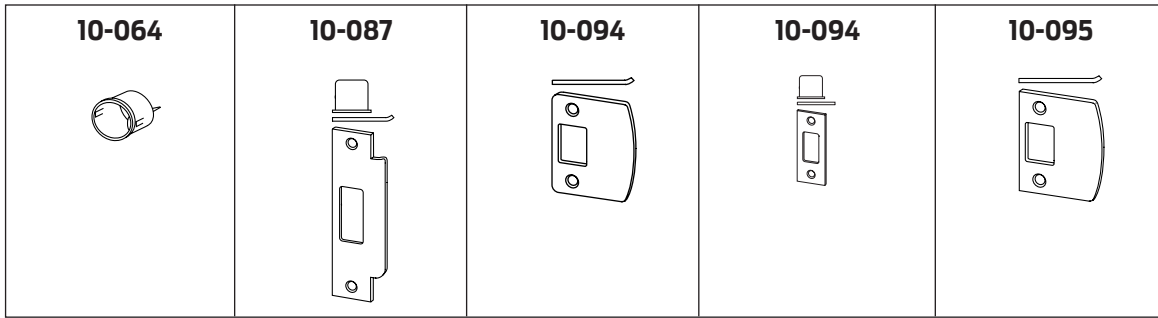


D200 Series

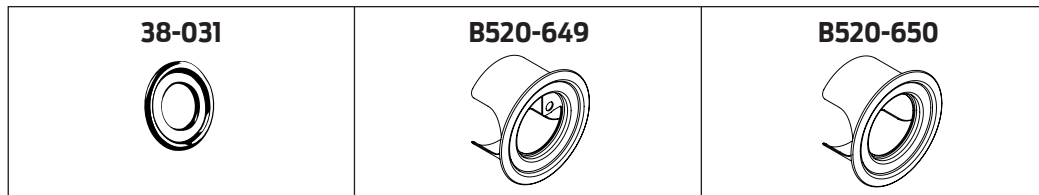
Deadbolts				
Part Number	Specify Finish	Housing Diameter	Description	Price Each
Q330-253	.	2-3/8" or 2- 3/4" Universal	Square corner, 1-1/8" x 2-1/4" faceplate	\$17.00
Q330-175	.		Square corner, 1" x 2-1/4" faceplate	
Q330-177	.		1/4" radius corner, 1" x 2-1/4" faceplate	
Q330-254	626		1" circular drive-in, 626 only	

Keys - Emergency For Occupancy Indicator		
Part Number	Description	Price Each
61-509	Emergency Release Key – Standard Size for Occupancy Indicator	\$11.00
61-510	Emergency Release Key – Large Size for Occupancy Indicator	21.50

Prices subject to change without notice



Strikes				
Part Number	Specify Finish	Description	Lip Length	Price Each
10-064	.	Drive-In, thimble strike, 1-3/16" deep	-	17.90
10-087	.	ANSI, 1-1/4" x 4-7/8, with box	1-1/8"	24.50
10-094	.	Square corner with metal dust box, 1-1/8" x 2-3/4"	-	12.70
10-092	.	Full lip, 1/4" radius corner, 1-5/8" x 2-1/4", no box	1-5/16"	8.20
10-095	.	Full lip, square corner, 1-5/8" x 2-1/4", no box		
J250-028		2" strike mounting screws		8.20
5075	.	Security Strike	-	9.90



Adapters			
Part Number	Specify Finish	Description	Price Each (per finish)
			605 606 613 625 626
38-031	.	2-1/2" diameter adapter ring for 2-1/8" door prep, for under cylinder	\$20.40
B520-649	.	Trim ring w/shield for D131/D141	25.20
B520-650	.	Trim ring w/shield for IC functions	25.20
36-071	.	1-3/8" IC Core thin door shim kit, contains 36-066 & 36-068	15.60

Prices subject to change without notice

LOCKS

Grade 2

Deadbolt

D200 Series

Screws						
Part Number	Specify Finish	Description		Application		Price Each (Order in multiples of 100)
		Size	Type	Use	Door Thickness	
Keyed, Single Conventional Cylinder						
B600-100		1/4"-28 x 1-15/16"	POH mach.	Mounting	1-3/8" - 1-3/4"	\$2.60
B600-101		1/4"-28 x 2.425"	POH mach.	Mounting	over 1-3/4"	
B600-066	.	6-32 x 1/4"	PH mach.	Turn	-	
B520-298		10-32 x 3/8"	PH mach.	Anti-pry shield	-	0.84
Keyed, Single SFIC Cylinder						
B600-100		1/4"-28 x 1-15/16"	POH mach.	Mounting	1-3/8" - 2-1/4"	2.60
B600-066	.	6-32 x 1/4"	PH mach.	Turn	-	
Keyed, Double Conventional Cylinder						
B600-047		1/4"-28 x 3-13/16"	PH mach.	Mounting	1-3/8" - 1-3/4"	2.60
B600-078		1/4"-28 x 3-29/64"	PH mach.	Mounting	over 1-3/4"	
B520-298		10-32 x 3/8"	PH mach.	Anti-pry shield	-	0.84
Keyed, Double SFIC Cylinder						
B600-053		1/4"-28 x 3-61/64"	PH mach.	Mounting	1-3/4" - 2-1/4"	2.60
B520-298		10-32 x 3/8"	PH mach.	Anti-pry shield	-	0.84
All Functions						
C603-897	.	#8 x 3/4"	PFH combo	Deadbolt & strike	-	0.96
J250-028		#8 x 2"	PFH wood	2" strike screw	-	2.20
R525-256		#12 x 3"	PFH wood	3" metal dust box	-	

Prices subject to change without notice

Screw Packs				
Part Number	Specify Finish	Door Thickness	Contents	Price Each
Keyed, Single Conventional Cylinder				
61-506	.	1 3/8" - 2 1/4"	(2) B600-048 (2) F605-359 (4) C603-897 (1) B600-018 (2) B600-066	\$19.00
Keyless, D261M, D271				
61-504	.	1-3/8" - 1-3/4"	(2) B520-662 (4) C603-897 (2) B600-066 (4) B600-018	24.80
61-505	.	1-3/4" - 2-1/4"	(2) B520-663 (4) C603-897 (2) B600-066 (4) B600-018	24.80
Keyed, Single Conventional Cylinder				
61-500	.	1 3/8" - 1 3/4"	(1) B600-018 (2) B600-100 (2) B600-066 (4) C603-897	15.60
61-501	.	over 1 3/4" - 2 1/4"	(1) B600-018 (2) B600-101 (2) B600-066 (4) C603-897	15.60
Keyed, Single SFIC Cylinder				
61-500	.	1 3/8" - 2"	(1) B600-018 (2) B600-100 (2) B600-066 (4) C603-897	15.60
Keyed, Double Conventional Cylinder				
61-502	.	1 3/8" - 1 3/4"	(2) B600-047 (4) C603-897	11.90
61-503	.	over 1 3/4" - 2 1/4"	(2) B600-078 (4) C603-897	11.90
Keyed, Double SFIC Cylinder				
61-507	.	1 3/8" - 2"	(2) B600-053 (4) C603-897	11.90

Prices subject to change without notice

LOCKS

Grade 2

Deadbolt

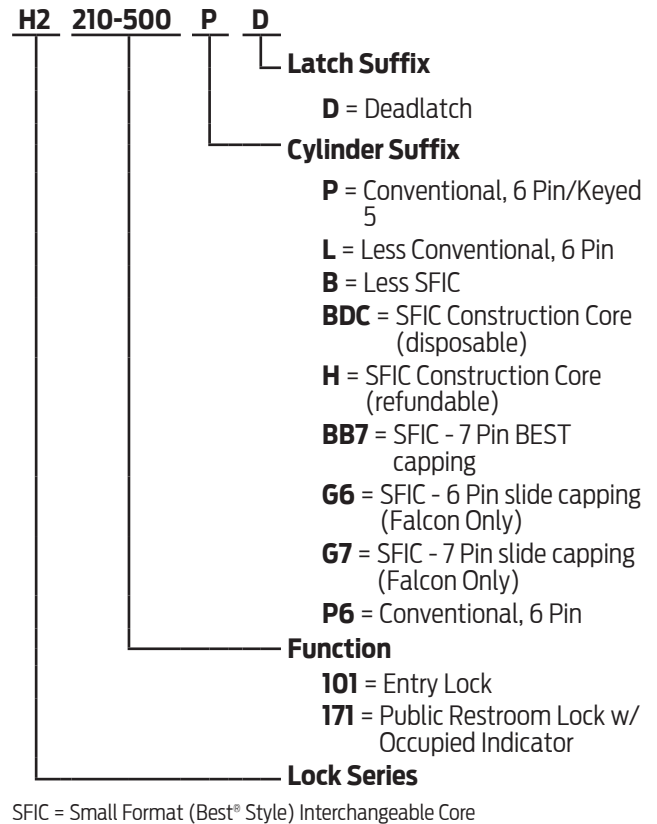
D200 Series

Prices subject to change without notice

Table of Contents

Functions	123
Complete Locks	124
Options	
Deadbolts/Deadlatches	127
Deadbolt Strikes	127
Strike Combinations	127
Lock Less Components	127
Parts	
Deadbolts	128
Deadlatches	128
Deadbolt/Deadlatch Combinations	128
Deadbolt Strikes	128
Deadlatch Strikes	128
Deadbolt/Deadlatch Strike Combinations	128
Screw/Screw Packs	129
Complete Cylinders	See Cylinders Section
How to Order	Forms & Examples

Product Identification



Finish Codes and Descriptions

Code		Description
605	(US 3)	Bright Brass
619	(US 15)	Satin Nickel
625	(US 26)	Bright Chromium Plated
626	(US 26D)	Satin Chromium Plated
643e	(US 11)	Aged Bronze
622		Matte Black

Standard Features



- Certification: ANSI/BHMA Certified A156.12-2013, Grade 2, UL listed for 3-hour fire door
With SFIC interchangeable core cylinders: Grade 3 Security
- Deadbolt: 1 X 2-1/4", dual option faceplate, (square corner standard, round corner included in package), 1" housing diameter, 1" throw
- Latch: 1" x 2-1/4" dual option faceplate (square corner standard, round corner included in package). 1" edge bore required
- Strikes: 1-1/8" X 2-3/4", Square corner (deadbolt) and 1-5/8" X 2-1/4", Square corner, T-strike, box, 1 1/8" x 2 3/4" (Deadlatch)
- Backset: Adjustable backset, fits 2-3/8" or 2-3/4"
- Cylinders: 6-pin, solid brass, keyed 6-pin, G keyway, keyed different (KD)
- Door Range: 1-3/4" to 2" standard (1-3/8" available, must be specified)
- Keys: Nickel silver cut keys, 6-pin, G keyway
- Center to Center: Fits 4" or 5 1/2" (factory default) center to center door preps

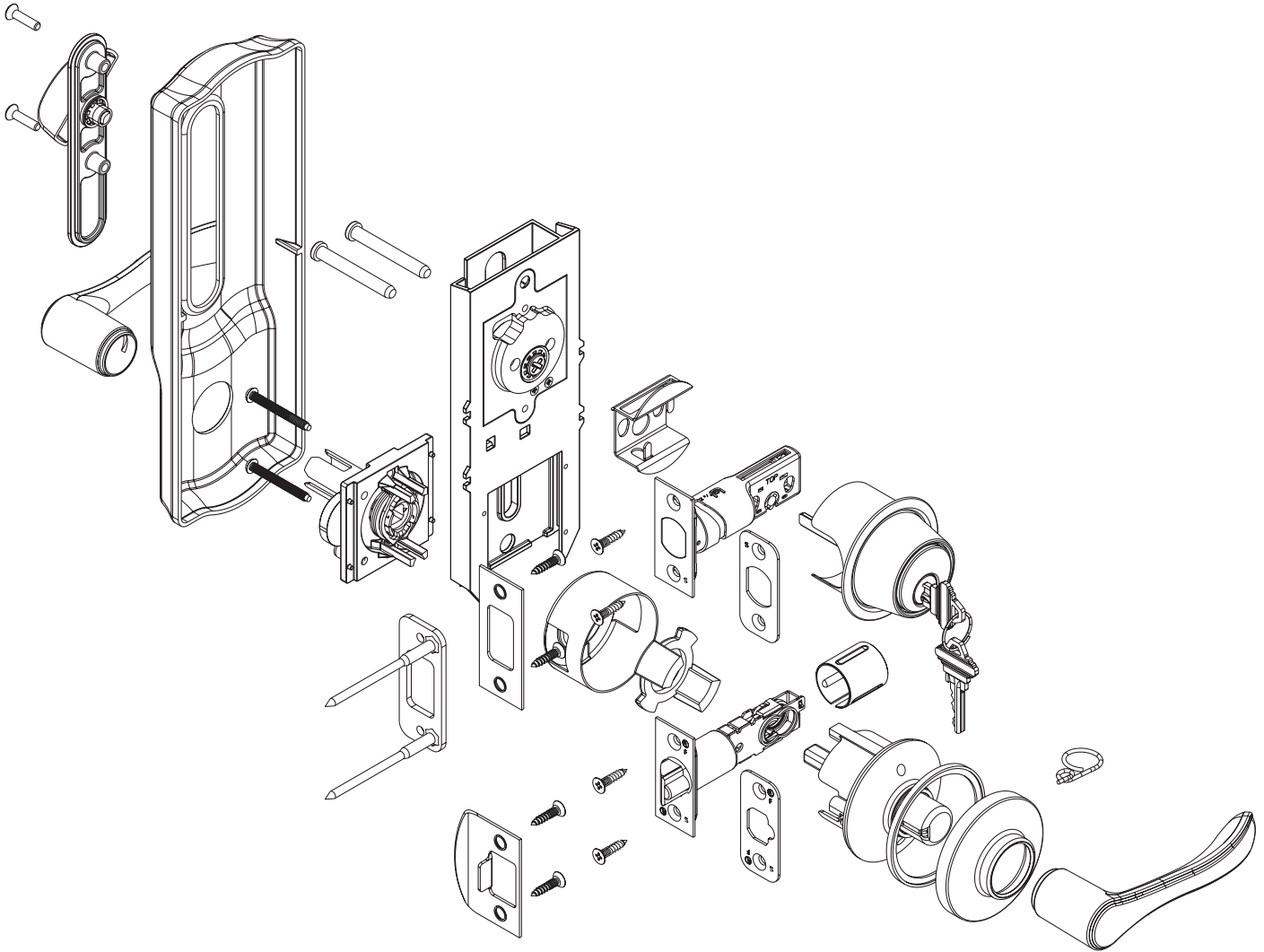
Prices subject to change without notice

H2 Series

GRADE 2 INTERCONNECT LOCK

LOCKS

Interconnected



Prices subject to change without notice

ANSI/BHMA Certified A156.12-2013, Grade 2, UL Listed for 3-hour fire door.

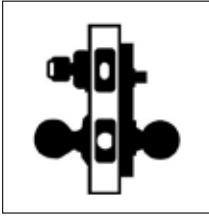
FALCON ANSI

FALCON ANSI

H2101 F95

Entrance Lock

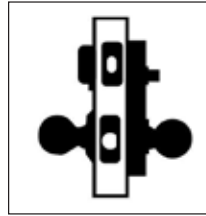
Deadbolt operated by key from outside or by turn unit from inside. Bolt automatically deadlocks when fully thrown. Latch retracted by lever from either side. Turning inside lever retracts deadbolt and latch simultaneously for immediate exit.



H2171

Public Restroom Lock with Occupancy Indicator

Latchbolt retracted by lever from either side. Deadbolt thrown or retracted by turn inside or retracted by emergency key outside. Rotating turn from inside extends deadbolt and changes visual message on outside from vacant to occupied. Inside lever simultaneously retracts deadbolt and latch.



Prices subject to change without notice

H2-Series • Complete Locks

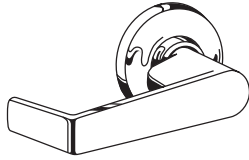
LOCKS

Interconnected

Avalon (AVA)



Dane (DAN)

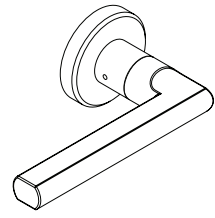


Flair (FLA)



Specify hand

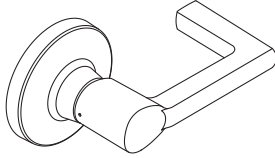
Latitude (LAT)



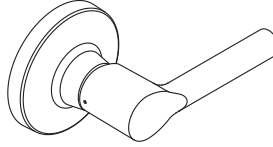
Quantum (QUA)



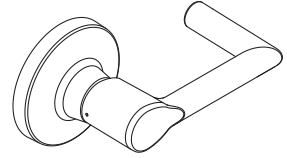
Longitude (LON)



Broadway (BRW)



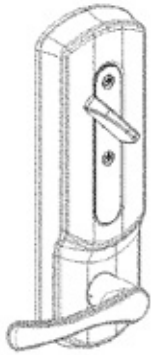
Boardwalk (BRK)



Prices subject to change without notice

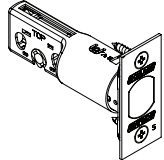
Escutcheons

Plymouth (PLY)

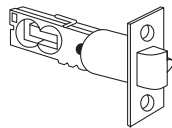


Latches

Q330-041



Q100-101

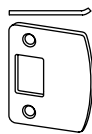


Strikes, Deadbolts

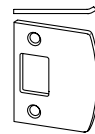
10-094
Standard



10-092



10-095

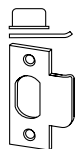


10-116

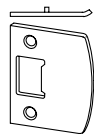


Strikes, Deadlatches

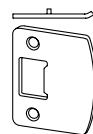
10-001



10-026
Standard



10-027



Prices subject to change without notice

H2-Series • Complete Locks

LOCKS

Interconnected

Function	Description	Design and Finishes					
		AVL DAN FLA LAT QUA LON BRW BRK					
		626	643E	605*	619	622	625
H2101	Entrance Lock - Deadbolt Single Cylinder	\$314.00		\$326.00			
H2171	Public Restroom with Occupancy Indicator - No Cylinder (Interior Locking Only)	414.00		426.00			

Specify both outside and inside designs if split.

*605 finish not available for LON and BRK lever designs.

Prices subject to change without notice

Deadbolts/Deadlatches				
Combo Part Number	Deadbolt	Deadlatch	Backset - Hsg Dia. - Description	Lock Adjustment
Q100-100	Q330-041	Q100-101	2 3/8" or 2 3/4" - 1" - Dual Option, 1" x 2 1/4", standard (square corner standard, round corner included in the package)	N/C

Deadbolt Strikes			
Part Number	Lip Length - Description		Lock Adjustment
10-094	N/A - Square corner, 1 1/8" x 2 3/4"		N/C
10-092	1 1/8" - 1/4" Radius round corner, full lip, no box, 1 5/8" x 2 1/4"		
10-095	1 1/8" - 1/4" Square corner, full lip, no box, 1 5/8" x 2 1/4"		
10-116	N/A - Round corner strike, no lip, 1 1/8" X 2 3/4"		

Deadlatch Strikes			
Part Number	Lip Length - Description		Lock Adjustment
10-001	1 1/8" - Square corner, T-strike, box, 1 1/8" x 2 3/4"		N/C
10-026	1 1/8" - Square corner, full lip, no box, 1 5/8" x 2 1/4"		
10-027	1 1/8" - 1/4" Radius round corner, full lip, no box, 1 5/8" x 2 1/4"		

Strike Combinations			
Deadbolt Strike	Deadlatch Strike	Specify Combo Number	Add to Lock Price
10-094	10-001	10-109	N/C
10-094	10-026	10-121	
10-116	10-027	10-122	
10-092	10-027	10-123	
10-095	10-026	10-124	

Conventional Cylinder Options		
Description	Specify	Add to Lock Price (per core)
5 pinned cylinder	P Suffix Example: H2101P	STD
6 pinned cylinder	P6 Suffix Example: H2101P6	
6 pinned Competitor keyway cylinders* available on H101, H511 only	P6 Suffix Example: H2101P6 (0 Bitted, KD, KA4 only)	\$7.00

* Specify specific competitor keyway on order. Competitor keyways are furnished 0 bitted, unless otherwise specified.
Not available Master keyed. KD option is not available for locks containing 2 cylinders.

- Notes:**
- 1) Finishes: 606, 622, 626 and 643e
 - 2) Specify keyway
 - 3) Cylinders are furnished G keyway, keyed differently unless otherwise specified.
 - 4) Restricted sections add \$11.30 to list price. See page 4 for list of standard keyways. All other keyways are considered restricted.

Small Format Interchangeable Core and Small Format Construction Core		
Description	Specify	Add to Lock Price (per core)
Small format core (BEST Style) *	BB6/7 Suffix Example: H2101BB6	\$46.00
Small format core (Falcon Style) *	G6/7 Suffix Example: H2101G6	
Small format construction core **	H Suffix Example: H2101HD	46.00
Less Small format core	B Suffix Example: H2101BD	N/C
Small format disposable core	BDC Suffix Example: H2101BDC	N/C

* Keying must be specified
** Locks are assessed one non-refundable handling charge (50-231F) per core.
Notes: 5) Control keys are not furnished with locks and must be ordered separately. See page 141 for details

Locks Less Components		
Description	Specify	Deduct from Lock Price
Less deadbolt strike	LLL for deadbolt strike Example: H2101 DAN 12-339 LLL/10-001	N/C
Less deadlatch strike	LLL for deadlatch strike Example: H2101 DAN 12-339 LLL/10-094	N/C
Less both levers	LLL for both Levers Example: H2101 LLL/DAN LLL	\$12.40
Less Conventional Cylinder	L suffix Example: H2101LD/DAN	19.20

Prices subject to change without notice

Shaded items are standard components and are furnished with locks unless otherwise specified.

H2-Series • Parts

LOCKS

Interconnected

Deadbolts									
Available Finishes - Specify for Listed Parts					605	619	626	643e	622
Q330-041, Q330-177, Q330-175					▪	▪	▪	▪	▪
Part Number	Backset - Description				Price Each				
Q330-041	2 3/8" or 2 3/4" - 1" Square corner, 1" x 2 1/4"				\$43.00				
Q330-177	2 1/4" Standard Round Corner standard				17.40				
Q330-175	2 1/4" standard Square Corner standard				17.40				

Deadlatches									
Available Finishes - Specify for Listed Parts					605	619	626	643e	622
Q100-101, Q100-102					▪	▪	▪	▪	▪
Part Number	Backset - Description				Price Each				
Q100-101	2 3/8" or 2 3/4" adjustable backset, Square corner, 1" x 2 1/4" Round corner, 1" x 2 1/4", included w/o screws				\$38.20				
Q100-102	2 3/8" or 2 3/4" adjustable backset, 2 1/4" - 1" Square corner, 1" x 2 1/4" Round corner, 1" x 2 1/4", included w/screws								

Deadbolt/Deadlatch Combinations									
Available Finishes - Specify for Listed Parts					605	619	626	643e	622
Q100-100					▪	▪	▪	▪	▪
Part Number	Backset - Description	Deadbolt	Deadlatch	Price Each					
Q100-100	2 3/8" or 2 3/4" - Dual Option, 1" x 2-1/4" w/ screws	Q330-041	Q100-101	\$81.20					

Deadbolt Strikes									
Available Finishes - Specify for Listed Parts					605	619	626	643e	622
10-094, 10-092, 10-095					▪	▪	▪	▪	▪
Part Number	Lip Length - Description				Price Each				
10-094	N/A - Square corner, 1 1/8" x 2 3/4"				\$12.70				
10-092	1 1/8" - 1/4" Radius round corner, full lip, no box, 1 5/8" x 2 1/4"				8.20				
10-095	1 1/8" - Square corner, full lip, no box, 1 5/8" x 2 1/4"								
10-116	N/A - Round corner strike, no lip, 1 1/8" X 2 3/4"				14.30				
37-016	Strike reinforce, use with 10-094 and 10-116				16.90				

Deadlatch Strikes									
Available Finishes - Specify for Listed Parts					605	619	626	643e	622
10-001, 10-026, 10-027					▪	▪	▪	▪	▪
Part Number	Lip Length - Description				Price Each				
10-001	Square corner, T-strike, box, 1 1/8" x 2 3/4"				\$6.80				
10-026	1 1/8" - Square corner, full lip, no box, 1 5/8" x 2 1/4"				7.90				
10-027	1 1/8" - 1/4" Radius round corner, full lip, no box, 1 5/8" x 2 1/4"								

Deadbolt/Deadlatch Strike Combinations									
Available Finishes - Specify for Listed Parts					605	619	626	643e	622
10-109, 10-121, 10-122, 10-123, 10-124					▪	▪	▪	▪	▪
Part Number	Deadbolt Strike	Deadlatch Strike		Price Each					
10-109	10-094	10-001		\$19.50					
10-121	10-094	10-026		20.60					
10-122	10-116	10-027		22.20					
10-123	10-092	10-027		16.10					
10-124	10-095	10-026							

Prices subject to change without notice

Screw/Screw Packs								
Available Finishes - Specify for Listed Parts				605	619	626	643e	622
B202-578, S206-504				▪	▪	▪	▪	▪
Part Number	Description	Contents	Price Each					
B202-578	Latch and strike	(4) C603-897	\$8.80					
S206-504	Chassis & trim	(2) B600-100 (2) B520-621 (2) F506-278	7.00					
S206-505	Chassis & Trim, Thick Door	(2) B600-101 (2) B520-621 (2) F506-278	7.00					
S206-506	Indicator Function	(2) B520-663 Screw, Indicator Mounting (2) B520-621 Screw, Thumbturn Mounting (2) F506-278 Screw, Mounting (1) Q001-103 Driver Bar	11.40					
B502-873*	Screw, reinf. strike	-	0.62					
* Order in multiples of 100								

Prices subject to change without notice

Prices subject to change without notice

Table of Contents

Conventional Cylinders132
 Interchangeable Cores 137
 IC Cylinders and Cabinet Locks.....138
 Conventional Keys and Blanks139
 IC Keys and Key Blanks,
 Disposable Construction Core..... 140
 Keys & Keying Construction Core Program141
 Cams, Tailpieces, Throw Members142
 Cylinder Parts and Service Equipment.....143
 IC Cams, Throw Members, etc..... 144
 IC Service Equipment & Supplies.....145
 Keying and Stamping Charges 146

Finish Codes and Descriptions*

Code		Description
605	(US 3)	Bright Brass-Clear Coated
606	(US 4)	Satin Brass-Clear Coated
613	(US 10B)	Satin Bronze-Dark Oxidized and Oil Rubbed
619	(US15)	Satin Nickel
622		Matte Black
643e		Alternate 613 finish
626	(US 26D)	Satin Chromium
629	(US32)	Bright Stainless Steel
630	(US 32D)	Satin Stainless Steel

* See individual products for finish availability.

Standard Features - Furnished unless otherwise specified



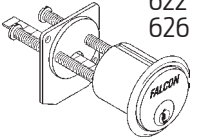
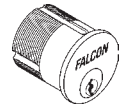

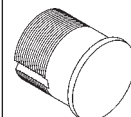
Standard Cylinder Solid Brass housings and plugs. Standard Keyway is Falcon G keyway. Keyed different furnished unless otherwise specified (additional charges may apply, See page 146 for keying charges) with 2 nickel silver keys. Mortise cylinder standard lengths are 1-1/8" for conventional cylinders and 1-3/8" for small format interchangeable core housings.

SFIC Furnished in A keyway unless otherwise specified. Combined cores are provided with 2 keys.

Restricted Keyways Falcon has a varied selection of restricted keyways for conventional and SFIC cylinders based on geographic restrictions for usage. Minimum cylinder purchase required. See your Security and Safety Consultant for more information or availability.

Prices subject to change without notice

Conventional Cylinders

	951	Available in:		985	Available in:		986T	Available in:		985D	Available in:
	605	606		605	606		605	606		605	606
	613	619		613	619		613	619		613	619
	622	625		622	625		622	626		622	625
	626	630		626	630		630	643e		626	630
643e		643e		643e		643e					



Non-IC Products

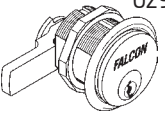
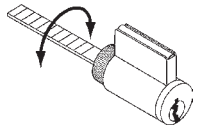
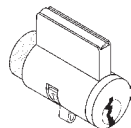
622 Finish only available in Falcon G keyway for non-IC products.

MA and M Series Conventional Rim and Mortise Cylinders

Pins	Length	Description	Number	626, 643e	605 606 613 630 619/622/625
5 or 6	1-1/8	Mortise	985	\$65.00	\$69.00
	1-1/4		986		
	1-3/8		987		
5, 6, or 7	1-1/2	Mortise	988	65.00	69.00
	1-3/4		990	85.00	89.00
	2		992	108.00	112.00
	1-1/8		250	113.00	117.00
	1-1/4		251		
6	1-3/8	Mortise, hotel function*	252	85.00	89.00
7	1-3/8		253		
5, 6, or 7	-		Rim	951	65.00
-	1-1/8	Mortise, thumbturn	985T	101.00	105.00
-	1-1/4		986T		
-	1-1/8		973		
-	1-1/8		974		
-	1		984D		
-	1-1/8	Dummy	985D	39.00	43.00

*Hotel mortise cylinders are offered as masterkeyed or "O" bitted only and must be specified.

- Notes:**
- 1) MA cam (5622-STD) provided unless otherwise specified. See page 142 for additional available cams.
 - 2) Mortise and rim cylinders are not available in any competitor keyway. MA451 (Hotel Function) is not available in Schlage C keyway for conventional cylinders.
 - 3) 984D, 985D not available in 629 and 630.
 - 4) Add \$11.30 (list) for Falcon restricted keyways. See page 4 for for standard keyways. All others are restricted. Falcon conventional cylinder restricted keyways use a unique pin kit (P/N 1417) and cutter wheel for keys.
 - 5) To order mortise cylinder with straight cam inverted for dogging, specify A09897-024

	945	Available in:		950	Available in:		954	Available in:
	605	606		606	626		606	
	613	626						
	629	630						

Miscellaneous Cylinders

Part Number	Description	Finishes		
		606, 626	605, 613	629, 630
945	Cam lock	\$114.00	\$114.00	\$114.00
950*	Sliding door cylinder	52.00	-	-
954*	Mail box cylinder	63.00	-	-

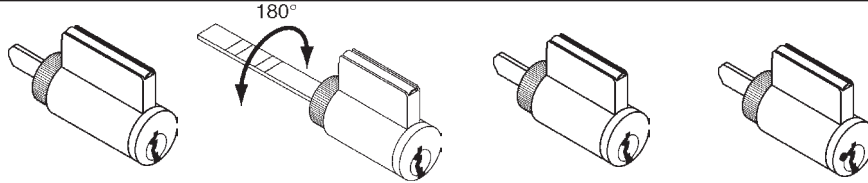
* For 7-pin cylinder add \$12.30.

Note: 5) Postal regulations prohibit master keying of mail box cylinders.

Prices subject to change without notice



Non-IC Products



Falcon Conventional Cylinders, 5 and 6 Pin

Cylinder Mechanism	Part Number	List Price
5 Pin Cylinder 955	A23151-01	
5 Pin Cylinder B series except 611 function	A23155-02	
5 Pin Cylinder B series 611 function	A23151-06	
5 Pin Cylinder - D111, D141 for 1 3/8" to 1 3/4" thick doors	Q500-064	
5 Pin Cylinder - D111, D141 for 1 7/8"- 2 1/4" thick doors	Q500-065	
5 Pin Cylinder - D121	Q500-066	
5 Pin Cylinder - D131	Q500-070	
5 Pin Cylinder - D211, D241	Q500-067	
5 Pin Cylinder - D221	Q500-069	
5 Pin Cylinder - D231	Q500-072	
5 Pin Cylinder H all other functions & designs	A30028	
5 Pin cylinder H511 knobs	A30040	
5 Pin Cylinder - H2101	Q100-105	
5 Pin Cylinder RU/T series (except 381 IS, 571)	A23151-05	
5 Pin Cylinder RU/T series 381 IS	A23151-06	
5 Pin Cylinder RU/T series 571	A23151-07	
5 Pin Cylinder X411, 501, 511, 521, 581 E & T	A23152	
5 Pin Cylinder X411, 501, 511, 521, 581 H	A23152-02	
5 Pin Cylinder X561 - E and T designs	A23151	
5 Pin Cylinder X561 - H designs, 571 - E & T	A23151-02	
5 Pin Cylinder X571 - H designs	A23151-03	
5 Pin Cylinder Y series	A23155	
6 Pin Cylinder 955	A23161-01	\$57.00
6 Pin Cylinder B series except 611 function	A23165-02	
6 Pin Cylinder B series 611 function	A23161-06	
6 Pin Cylinder - D111, D141 for 1 3/8" to 1 7/8" thick doors	Q500-021	
6 Pin Cylinder - D111, D141 for 1 7/8"- 2 1/4" thick doors	Q500-022	
6 Pin Cylinder - D121	Q500-058	
6 Pin Cylinder - D131 for 1 3/8" - 1 3/4" thick doors	Q500-054	
6 Pin Cylinder - D131 for 1 7/8"- 2 1/4" thick doors	Q500-055	
6 Pin Cylinder - D211, D241	Q500-010	
6 Pin Cylinder - D221	Q500-056	
6 Pin Cylinder - D231	Q500-012	
6 Pin Cylinder H101	A30028-01	
6 Pin Cylinder H511 knobs	A30040-01	
6 Pin Cylinder - H2101	Q100-104	
6 Pin Cylinder RU /T series 381 IS	A23161-06	
6 Pin Cylinder RU/T series (except 381 IS, 571)	A23161-05	
6 Pin Cylinder RU/T series 571	A23161-07	
6 Pin Cylinder X411, 501, 511, 521, 581 E & T	A23162	
6 Pin Cylinder X411, 501, 511, 521, 581 H	A23162-02	
6 Pin Cylinder X561 - E and T designs	A23161	
6 Pin Cylinder X561 - H designs, 571 - E & T	A23161-02	
6 Pin Cylinder X571 - H designs	A23161-03	
6 Pin Cylinder Y series	A23165	
6 Pin Cylinder H451, 461 hotel/motel	A30036-01	72.00
6 Pin Cylinder W lock	Q330-154	
6 Pin Cylinder W lock - except W561 (knob)	Q330-238	57.00
6 Pin Cylinder W561 (knob)	Q330-246	

Falcon Conventional Cylinders, 7 Pin

Cylinder Mechanism	Part Number	List Price
7 Pin Cylinder - D111, D141 for 1 3/8" to 1 7/8" thick doors	Q500-046	
7 Pin Cylinder - D111, D141 for 1 7/8"- 2 1/4" thick doors	Q500-047	
7 Pin Cylinder - D121	Q500-059	
7 Pin Cylinder - D211, D241	Q500-014	
7 Pin Cylinder - D221	Q500-057	
7 pin cylinder RU/T series (except 381 IS, 571)	A23171-05	\$72.00
7 pin cylinder RU/T series 381 IS	A23171-06	
7 pin cylinder RU/T series 571	A23171-07	
7 pin cylinder X411, 501, 511, 521, 581 H	A23172-02	
7 pin cylinder X561 - H designs	A23171-01	
7 pin cylinder X571 - H designs	A23171-02	

Notes: 1) Finishes: 606 and 626 only

2) Specify keyway

3) Cylinders are furnished G keyway, keyed differently unless otherwise specified.

4) Add \$11.30 (list) for Falcon restricted keyways. See page 4 for standard keyways. All others are restricted.

Falcon conventional cylinder restricted keyways use a unique pin kit (P/N 1417) and cutter wheel for keys.

Prices subject to change without notice

Schlage Conventional Cylinders, 6 Pin				
Cylinder Mechanism	Function	Keying Offered	Part Number	List Price
Schlage C kwy	955	KA4, KD, 0-bit	A23160-2	\$57.00
Schlage E kwy		0-bit	A23159-2	
Schlage C kwy	B except 611	KD, 0-bit	A23160-13	
Schlage E kwy		0-bit	A23159-13	
Schlage C kwy	B611, T381 IS	KD, 0-bit	A23160-11	
Schlage E kwy		0-bit	A23159-11	
Schlage C kwy	D121, 221	KD, 0-bit	Q033-071	
Schlage E kwy		0-bit	Q033-066	
Schlage C kwy	D131, 231	KD, 0-bit, KA4	Q033-070	
Schlage E kwy		0-bit	Q033-067	
Schlage C kwy	D111, D211, D241 (Q033-069 only)	KD, 0-bit, KA4	Q033-069	
Schlage E kwy		0-bit	Q033-066	
Schlage C kwy	H deadbolt	KA4, KD, 0-bit	A23160-10	
Schlage E kwy		0-bit	A23159-10	
Schlage C	H2101	KA4, KD, 0-bit	Q100-108	
Schlage C kwy	H511 knobs	KA4, KD, 0-bit	A23160-7	
Schlage E kwy		0-bit	A23159-7	
Schlage C kwy	T571	KA4, KD, 0-bit	A23160-12	
Schlage E kwy		0-bit	A23159-12	
Schlage C kwy	T Except 571 & 381 IS	KA4, KD, 0-bit	A23160-000	
Schlage E kwy		0-bit	A23159-000	
Schlage C kwy	X411, 501, 511, 521, 581 E & T	KA4, KD, 0-bit	A23160-5	
Schlage E kwy		0-bit	A23159-5	
Schlage C kwy	X411, 501, 511, 521, 581 H	KA4, KD, 0-bit	A23160-6	
Schlage E kwy		0-bit	A23159-6	
Schlage C kwy	X561 E & T	KA4, KD, 0-bit	A23160-1	
Schlage E kwy		0-bit	A23159-1	
Schlage C kwy	X571 E & T, X561 H	KA4, KD, 0-bit	A23160-3	
Schlage E kwy		0-bit	A23159-3	
Schlage C kwy	X571 H	KA4, KD, 0-bit	A23160-4	
Schlage E kwy		0-bit	A23159-4	
Schlage C kwy	Y series	KA4, KD, 0-bit	A23160-8	
Schlage E kwy		0-bit	A23159-8	
Schlage C kwy	W Series Levers	MK, KA4, KD, 0-bit	Q330-152	
	W Series Knobs (except W561)	MK, KA4, KD, 0-bit	Q330-237	
	W561 Knob	MK, KA4, KD, 0-bit	Q330-245	

Schlage Conventional Cylinders, 5 Pin			
Cylinder Mechanism	Function	Part Number	List Price
5 Pin Schlage C	Q500-065-5C : 5 Pin cylinder Schlage C -D111, 141 for 1-7/8" - 2-1/4"	Q500-065-5C	\$57.00
5 Pin Schlage C	Q500-071-5C : 5 Pin cylinder Schlage C - D131 for 1-7/8' - 2-1/4"	Q500-071-5C	
5 Pin Schlage C	T lock all except T571	A23160-14	
5 Pin Schlage C	X LOCK 561 E & T	A23160-15	
5 Pin Schlage C	PADLOCKS	A23160-16	
5 Pin Schlage C	X LOCK 561 H, 571 E & T	A23160-17	
5 Pin Schlage C	X LOCK 571 H	A23160-18	
5 Pin Schlage C	X LOCK 411 E & T, X501,511,521,581 E & T	A23160-19	
5 Pin Schlage C	X LOCK 411 H, X501,511,521,581 H	A23160-20	
5 Pin Schlage C	H LOCK 511 LOWER	A23160-21	
5 Pin Schlage C	Y LOCK	A23160-22	
5 Pin Schlage C	H LOCK 101,511 (UPPER)	A23160-23	
5 Pin Schlage C	B611	A23160-24	
5 Pin Schlage C	T571	A23160-25	
5 Pin Schlage C	B LOCK EXCEPT B611	A23160-26	
5 Pin Schlage C	W561 (Knobs)	Q330-245-5	

- Notes:**
- 1) Finishes: 606 and 626 only
 - 2) Specify keyway, cylinders are furnished 0-bitted unless otherwise specified.
 - 3) Master keying is available on Schlage C Keyway only.

Prices subject to change without notice

Corbin Russwin Conventional Cylinders, 6 Pin				
Cylinder Mechanism	Function	Keying Offered	Part Number	List Price
Corbin 60 kwy	955	KD, 0-bit	A23167-2	\$57.00
Corbin/Russ L4 kwy		0-bit	A23174-2	
Russwin D1 kwy		KD, 0-bit	A23168-2	
Corbin 60 kwy	B Series	KD, 0-bit	A23167-13	
Corbin/Russ L4 kwy		KA4, 0-bit	A23174-13	
Russwin D1 kwy		KD, 0-bit	A23168-13	
Corbin 60 kwy	B611, T381 IS series	KD, 0-bit	A23167-11	
Corbin/Russ L4 kwy		KA4, 0-bit, KD	A23174-11	
Russwin D1 kwy		KD, 0-bit	A23168-11	
Russwin D1 kwy	D121, 221	KD, 0-bit	Q033-074	
Corbin/Russ L4 kwy		0-bit	Q033-079	
Russwin D1 kwy	D131, 231	KD, 0-bit	Q033-073	
Corbin/Russ L4 kwy		0-bit	Q033-078	
Russwin D1 kwy	D141, D241	KD, 0-bit	Q033-072	
Corbin 60 kwy		KD, 0-bit	Q033-077	
Corbin/Russ L4 kwy	H deadbolt	KA4, 0-bit	A23174-7	
Corbin 60 kwy		KD, 0-bit	A23167-7	
Russwin D1 kwy		0-bit	A23168-7	
Corbin 60 kwy	H511 knobs	0-bit	A23167-10	
Corbin/Russ L4 kwy		KA4, 0-bit	A23174-10	
Russwin D1 kwy	T Except 571 & 381 IS	KD, 0-bit	A23168-10	
Corbin 60 kwy		0-bit	A23167	
Corbin/Russ L4 kwy		KA4, 0-bit	A23174	
Russwin D1 kwy	T571	KD, 0-bit	A23168	
Corbin 60 kwy		KD, 0-bit	A23167-12	
Corbin/Russ L4 kwy		0-bit	A23174-12	
Russwin D1 kwy	X 411, 501, 511, 521, 581 H	KD, 0-bit	A23168-12	
Corbin 60 kwy		0-bit	A23167-6	
Corbin/Russ L4 kwy		0-bit	A23174-6	
Russwin D1 kwy	X411, 501, 511, 521, 581 E & T	KD, 0-bit	A23168-6	
Corbin 60 kwy		0-bit	A23167-5	
Corbin/Russ L4 kwy		0-bit	A23174-5	
Russwin D1 kwy	X561 E & T	KD, 0-bit	A23168-5	
Corbin 60 kwy		KD, 0-bit	A23167-1	
Corbin/Russ L4 kwy		0-bit	A23174-1	
Russwin D1 kwy	X571 E & T, X561 H	KD, 0-bit	A23168-1	
Corbin 60 kwy		KD, 0-bit	A23167-3	
Corbin/Russ L4 kwy		0-bit	A23174-3	
Russwin D1 kwy	X571 H	KD, 0-bit	A23168-3	
Corbin 60 kwy		KD, 0-bit	A23167-4	
Corbin/Russ L4 kwy		0-bit	A23174-4	
Russwin D1 kwy	Y Series	KD, 0-bit	A23168-4	
Corbin 60 kwy		0-bit	A23167-8	
Corbin/Russ L4 kwy		0-bit	A23174-8	
Russwin D1 kwy	W Series Levers	KD, 0-bit	A23168-8	
Corbin 60 kwy		0-bit	Q330-166	
Corbin/Russ L4 kwy		0-bit , KA4	Q330-158	
Russwin D1 kwy	W Series Knobs (except W561)	KD, 0-bit	Q330-210	
Corbin 60 kwy		KD, 0-bit	Q330-241	
Corbin/Russ L4 kwy		0-bit , KA4	Q330-240	
Russwin D1 kwy	W561 Knobs only	KD, 0-bit	Q330-242	
Corbin 60 kwy		KD, 0-bit	Q330-249	
Corbin/Russ L4 kwy		0-bit , KA4	Q330-248	
Russwin D1 kwy		KD, 0-bit	Q330-250	

* Cylinders are furnished 6-pin 0-bit unless otherwise specified, KA and KD available, no masterkeying.

- Notes:** 1) Finishes: 606 and 626 only.
2) Specify keyway.

Prices subject to change without notice

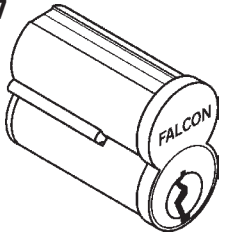
Sargent Conventional Cylinders, 6 Pin				
Cylinder Mechanism	Function	Keying Offered	Part Number	List Price
Sargent LA Keyway	955	KD, 0 Bit	A23166-2	\$57.00
	B Series		A23166-13	
	B611, T381 IS		A23166-11	
	H deadbolt		A23166-7	
	H511 Knobs		A23166-10	
	T Except 571 & 381 IS		A23166	
	T571		A23166-12	
	X411, 501, 511, 521, 581 E & T		A23166-5	
	X411, 501, 511, 521, 581 H		A23166-6	
	X561 E & T		A23166-1	
	X571 E & T, X561 H		A23166-3	
	X571 H		A23166-4	
	Y Series		A23166-8	
	W Series Levers		Q330-160	
	W Series Knobs (except W561)		Q330-243	
	W561 Knob only		Q330-251	

Yale Conventional Cylinders, 6 Pin				
Cylinder Mechanism	Function	Keying Offered	Part Number	List Price
Yale 8 (Para) Keyway	955	KD, 0-bit	A23169-2	\$57.00
	B except 611		A23169-13	
	B611, T381 IS		A23169-11	
	D121, D221	KD	Q033-076	
	D141, 241, 111, 211		Q033-075	
	H deadbolt	KD, 0-bit	A23169-7	
	H511 knobs		A23169-10	
	T Except 571 & 381 IS		A23169	
	T571		A23169-12	
	X411, 501, 511, 521, 581 E & T		A23169-5	
	X411, 501, 511, 521, 581 H		A23169-6	
	X561 E & T		A23169-1	
	X571 E & T, X561 H		A23169-3	
	X571 H		A23169-4	
	Y series		A23169-8	
	W Series Levers		Q330-156	
	W Series Knobs (except W561)		Q330-239	
	W561 Knob only		Q330-247	

- Notes:** 1) Finishes: 606 and 626 only
 2) Specify keyway, cylinders are furnished 0-bitted unless otherwise specified.
 3) Master keying is not available.

Prices subject to change without notice

C607



Available in:
 605 606
 622* 625
 626 643e
 613 (simulated)

* 622 Available in Falcon A keyway only for SFIC



Regular Core (suffix keyway to number)						
Description	Uncombined			Combinated		
	6-Pin	7-Pin	Price	6-Pin	7-Pin	Price
Standard	C646	C647	\$35.00	C606	C607	\$46.00
Best style capping	CB846	CB847		CB806	CB807	
No logo	C648	C649	35.00	C608	C609	
No logo, Best capping	CB848	CB849		CB808	CB809	

- Notes:**
- 1) For restricted keyways add \$11.30 per core. See page 141 for restricted keyway policies.
 - 2) For temporary construction cores and policy, See page 141.
 - 3) For 605, 613 and 625 add \$3.00 per core. Minimum 250 pieces.
 - 4) Keying must be specified on combinated cores. (unspecified orders will default to 0-bitted)

Pricing: Uncombined cores have no pins, springs or keys. Combinated core prices include master keying.

Finishes: 606 and 626 standard.

Packaging: Uncombined cores are packed 20 per box.

Keyways: The "A" keyway is standard for IC products and will be supplied unless otherwise specified.

A, B, C, D, DD, E, F, G, H, J, K, L, M, N, Q, R, TB and TD are equivalent to Best and Arrow IC keyways of the same letter designations. All other keyways are restricted. Add \$11.30 list for all restricted keyways.

When ordering locks or cores master keyed into existing Best, Arrow or other IC systems, a copy of the bitting list for the existing system is required with the order. Competitors' bitting lists are safeguarded the same as Falcon bitting lists. See page 147.

Logo: Cores and keys are supplied with the Falcon logo standard.
 Combinated cores supplied without logo are furnished with plain (non-embossed) keys.

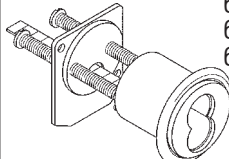
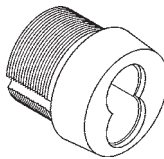
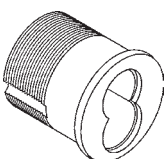
Prices subject to change without notice

IC Cylinders & Cabinet Locks

LOCKS

Cylinders & Key Systems



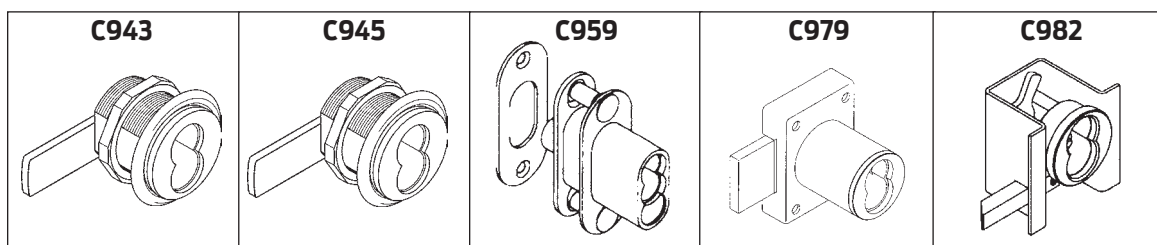
Rim 	Available in: 605 606 613 619 622 625 626 643e	Tapered Head 	Available in: 605 606 613 619 622 625 626 643e	Mortise 	Available in: 605 606 613 619 622 625 626 643e
--	---	--	---	--	---

All prices are less core. Not available with C997.

Small Format Interchangeable Rim and Mortise Core Housings Only

Cat. Number	Length	Pins	Description	626 643e		605 606 613 622 625 619	
C987	1-3/8"	6 or 7	Mortise	\$39.00			\$41.00
C988	1-1/2"	6 or 7	Mortise				
C990	1-3/4"	6 or 7	Mortise	50.00			52.00
C991	1 7/8"	6 or 7	Mortise	53.00			55.00
C992	2"	6 or 7	Mortise	53.00			55.00
C977	Fits Adams Rite	6 or 7	Mortise, tapered head	39.00			41.00
C997	1-3/8"	6 or 7	Mortise, unassembled, less cam	25.00			27.00
C262	1-5/8"	6 or 7	Mortise, hotel function RH	70.00			72.00
C265	1-5/8"	6 or 7	Mortise, hotel function LH				
C953	N/A	6 or 7	Rim	41.00			43.00

- Notes:**
- 1) All mortise cylinders will be furnished with cam 5622-IC, except for MA381 function which will be supplied with 5620-IC and 5621-IC. See page 142 for additional available cams.
 - 2) C977 is only furnished with 012667-001 Adams Rite Cam
 - 3) When ordering cylinders with construction cores, include the suffix -7 CCA or -6 CCA added to the part number. i.e. C987-6 CCA 626 for a 6 pin small format construction core included with a C987 cylinder in 626 finish
 - 4) For mortise cylinders A08794-XXX tapered ring is supplied by default. If different is desired, please specify.
 - 5) 625 finish only available on C997-xx.
 - 6) To order mortise cylinder with straight cam inverted for dogging, specify A12667-003-DOG

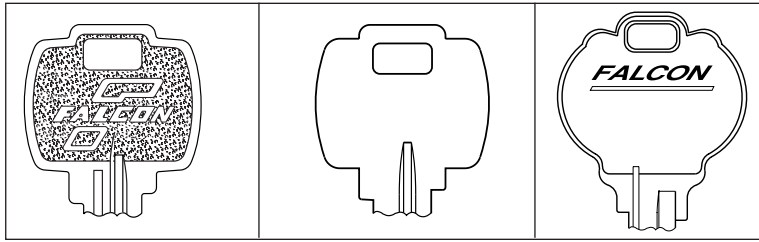


Cabinet Locks and Miscellaneous

Cat. No.	Description	Finishes			
		606, 626	606, 626	605, 626	605, 613, 629, 630
C942	Cabinet lock	\$92.00	-	-	\$94.00
C943	Cam lock	131.00	-	-	134.00
C945	Cam lock - heavy cam	92.00	-	-	94.00
C959	Push lock for sliding doors	-	128.00	-	-
C979	Rim cabinet lock	-	-	79.00	-
C982	Mail box lock	-	74.00	-	76.00

Note: 6) U.S. postal regulations prohibit master keying of mail box locks.

Prices subject to change without notice



Standard

**Plain
(non-embossed)**

Large Bow

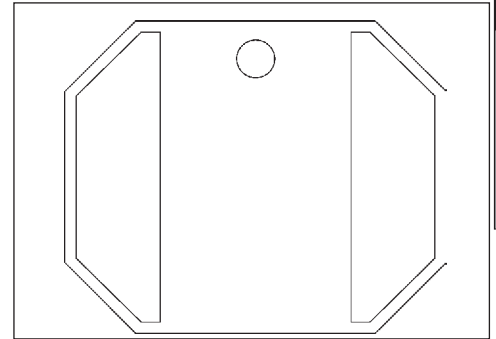


Non-IC Products

LOCKS

Cylinders &
Key Systems

Key Blanks (Specify keyway and order in multiples of 50 except where specified)			
Part. Number	Description	Qty./Wt.	Each
KB573	Standard 5-pin	50/1	\$2.50
KB577	Standard 6-pin		
KB581	Standard 7-pin	35/1	2.90
KB751	Plain 5-pin (non-embossed)	50/1	2.60
KB761	Plain 6-pin (non-embossed)		
KB771	Plain 7-pin (non-embossed)		
KB544	Large bow - 5-pin	25/1	5.60
KB590	Large bow - 6-pin	25/1	6.60
KB579	Emergency - 6-pin	50/1	9.30
KB592	Emergency, large bow - 6-pin	25/1	11.00
001911-001-70	Plastic handicap access bow only	1	7.30
KB525	Block-O-Key construction key - 4-pin	1	5.20
KB536	Block-O-Key removal tool (Specify Keyway)	1	2.50
Q330-215	6 Pin Schlage C Blank	1	3.40



001911-001-70 Blue Plastic Bow

(not shown full size)

2" access bow meets Title 24 of
The California Code for the Handicapped. Used with
existing KB905, KB906, and KB907 keys

Cut Keys			Each
Part. Number	Description		
KB574	Standard 5 Pin		\$7.90
KB578	Standard 6 Pin		
KB582	Standard 7 Pin		
KB794	Plain 5-pin (non-embossed)		
KB797	Plain 6-pin (non-embossed)		
KB799	Plain 7-pin (non-embossed)		
KB545	Large bow - 5-pin (When furnished with lock - 2 keys) additional per lock		
KB545	Large bow - 5-pin		
KB591	Large bow - 6-pin (When furnished with lock - 2 keys) additional per lock	10.30	
KB591	Large bow - 6-pin		
KB580	Emergency - 6-pin	13.10	
KB584	Emergency - 7-pin	15.70	
KB593	Emergency, large bow - 6-pin	13.50	
KB905	With 2" handicap access bow, 5-pin (includes 001911-001-70)	17.80	
KB906	With 2" handicap access bow, 6-pin (includes 001911-001-70)		
KB907	With 2" handicap access bow, 7-pin (includes 001911-001-70)		
KB531	Block-O-Key construction key - 4-pin	8.40	
KB565	Construction key - 5-pin	8.40	
KB566	Construction key - 6-pin		
KB567	Construction key - 7-pin		
330055	Schlage C - 6 pin	7.70	
330278	Schlage C -5 Pin	7.70	
Q330-276	Schlage Split Key 6-pin	10.30	

* Specify key section to key (blank) numbers.

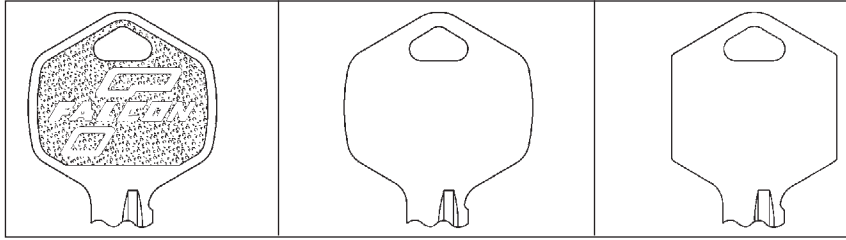
Note: 1) Prices listed for key blanks and cut keys are for E, G and H sections only. For all other key sections add \$0.80 list per key to prices shown. Letter of authorization required for restricted sections; not available to stock; shipped directly to the end user.

Prices subject to change without notice

IC Keys and Key Blanks, Disposable Construction Core



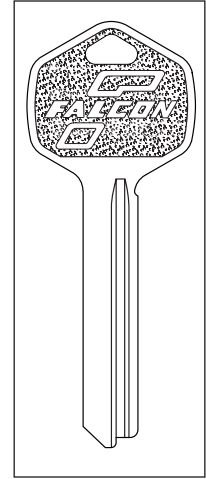
IC Products



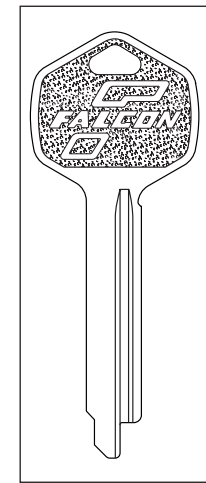
Standard

Plain
(non-embossed)

Clipped
for Handicap



Standard
Key Tip



Mortise EMK
Tip



Best Key

IC Core Key Blanks

	Standard	Plain Both Sides	Price
Standard	KB628	KB718	\$2.80
Stamped CONTROL	KB608	KB744	5.30
M Series EMERGENCY	KB737	KB748	7.90
Blade for 2" Access Bow	KB633	-	7.50
Plastic Access Bow	001911-001-70	-	7.30

IC Core Cut Keys

	Standard		Plain Both Sides		Price
	6-Pin	7-Pin	6-Pin	7-pin	
Standard	KB632-1	KB632-2	KB673-1	KB673-2	\$7.90
CONTROL	KB609-1	KB609-2	KB778-1	KB778-2	10.20
M Series EMERGENCY	KB738-1	KB738-2	KB779-1	KB779-2	11.80
2" Access Bow	KB916	KB916-1	-	-	18.20

- Notes:**
- 1) Specify keyway
 - 2) Order standard blanks in multiples of 50.
 - 3) Prices for key blanks and/or cut keys are for single key sections only. Key blanks 50 min. Cut keys no minimum quantity
 - 4) For double milled key (e.g. DE, EF, FG) add \$3.30 each to prices shown, minimum order quantity of 50 keys.
 - 5) Triple and quadruple milled keys add \$3.80 each to price shown, minimum order quantity of 50 keys.
 - 6) Letter of authorization required for restricted sections; not available to stock; shipped directly to the end user.
 - 7) Prices shown above are for standard key sections, prices for all restricted sections add \$0.80.

Best Style SFIC Core Key Blanks

	Standard	Plain Both Sides	Price
Standard	KB800*	KB801*	\$2.90

* KB 800 & 801 are not available in multi milled keyways.

Best Style SFIC Core Cut Keys

	Standard	Plain Both Sides	Price
Standard 6-Pin	KB807-1	KB809-1	\$8.20
Stamped Control 6-Pin	KB811-1	KB813-1	10.60
Standard 7-Pin	KB807-2	KB809-2	12.20
Standard Control 7-Pin	KB811-2	KB813-2	18.90

Prices subject to change without notice

Construction Core Program

Keyed construction cores may be ordered with interchangeable core locks and cylinders. These cores may also be ordered separately. All keyed construction cores are assessed a non-refundable handling charge (50-231). Standard payment terms apply.

Features:

- 6-pin A keyway.
- 7-pin A keyway.
- Construction cores are a flat black finish on the face. Other colors may be provided. Contact Customer Service for available colors.
- Construction cores are furnished with no keys (NCK). Cut keys must be ordered separately.
- A control key is required to install and remove construction cores. Control keys must be ordered separately.
- Construction cores may be returned for credit in working condition. Credit is issued upon receipt of cores at our factory.

A Return Material Authorization (RMA) must be issued, in order for cores to be returned.

Construction Core Program

Part Number	Description	Specify	Price
C606CCA	Construction core 6-pin	Specify "H" suffix when ordering with Locks, Specify CCA when ordering with Mortise and Rim Cylinders	\$46.00
C607CCA	Construction core 7-pin		
KB632-1CCA	Cut key for construction core 6-pin		8.20
KB632-2CCA	Cut key for construction core 7-pin		
KB609-1CCA	Cut control key 6-pin (order separately)		
KB609-2CCA	Cut control key 7-pin (order separately)		
1408	Disposable construction core	Specify "BDC" suffix when ordering	5.80
50-231F	Non-refundable handling charge per core		8.00

Notes: 1) Keyed and temporary construction cores will be installed in locks and cylinders automatically unless otherwise specified on orders.

2) Construction cores for a given project are keyed alike to one of a limited number of combinations nationwide. Different Falcon projects in the same area using the same or different contractors may use the same key. Where a higher degree of security is desired, order a set of cores in 606 or 626 finish keyed alike to a random combination. Specify "KSI." Such cores are not returnable to Falcon but may be reused for other projects.

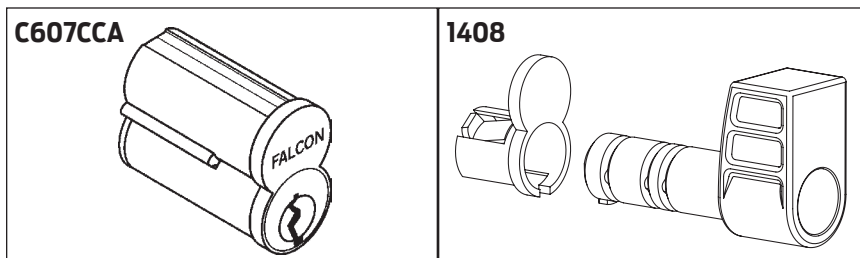
3) Temporary construction cores are an inexpensive alternative to interior keyed construction cores. This temporary is intended for use on interior door applications or where security on-site is not a concern.

Temporary Construction Core Program (Disposable)

Temporary construction cores may be ordered with interchangeable core locks and cylinders. These cores may also be ordered separately. Standard payment terms apply.

Features:

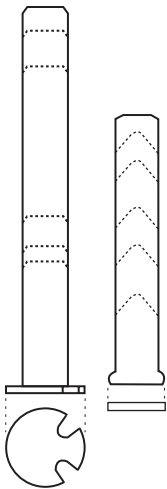
- Conveniently fits both 6 & 7-pin SFIC applications.
- No keys need to be issued.
- Disposable construction cores are not returnable.
- The disposable core is inserted in the lever or knob and is operated by a thumbturn, which retracts the latch bolt.



Prices subject to change without notice



Non-IC Products



Conventional Mortise Cylinder Cams

Part Number	Application	Price
1396	Cam kit for conventional cylinders	\$193.00
A09890-000-00	Adapter ring for 1-1/2" diameter cylinders	44.00
5622-STD	Falcon MA CAM for conventional mortise cylinders, except MA381	3.30
5620-STD	Falcon MA CAM for conventional mortise cylinder MA381 inside function	
5621-STD	Falcon MA CAM for conventional mortise cylinder MA381 outside function	
		10-Pack Price
A08867-000-00	Falcon cyl. in Sargent and Yale (26)	\$74.60
A09888-000-00	Falcon cyl. in Schlage L Series (13)	
A09894-001-00	Falcon, Ilco, Lori and Schlage cyl. in M deadbolt functions (1)	50.50
A09894-002-00	Arrow, Sargent, Yale cyl. in M deadbolt functions (2)	74.60
A09894-003-00	Corbin Russwin cyl. in M deadbolt functions (3)	
A09894-021-00	Falcon cyl. in Falcon concealed VR Delta trim - 2010 and earlier (21)	
A09894-022-00	Arrow, Sargent, Yale cyl. in Falcon Delta trim (22)	
A09894-023-00	Corbin Russwin cyl. in Falcon Delta trim (23)	
A09897-000-00	Falcon M Series non-deadbolt functions (4)	50.50
A09897-024-00	Falcon dogging cyl. in Falcon device (24)	68.40
A09898-000-00	Adams Rite 4070 (16)	
A09899-000-00	Adams Rite MS (6)	50.50
A20065-000-00	M381 outside (14)	
A20069-000-00	Corbin Russwin ML2200	74.60

Conventional Cylinder Tailpieces and Driver Bars

Part Number	Application	Price
1389	Tailpiece kit (assortment of tailpieces and 1416 cap tool)	\$242.00
B600-045	D Series double cylinder (1-3/8" - 1-3/4" doors)	2.80
B600-046	D Series double cylinder (over 1-3/4" - 2-1/4" doors)	
B520-651	D Series single cylinder (1-3/8" - 1-3/4" doors)	2.80
B520-652	D Series single cylinder (over 1-3/4" - 2-1/4" doors)	2.80
Q330-164	W Series 501, 511, 561, 581, 711 Functions	4.60
030480-004-00	Y Series	1.00
A08350-000-00	H101	1.00
		10-Pack Price
A22164-000-00	X Series 561 (6 Pin) Elite & Troy	\$29.50
A22164-001-00	X Series 561 (6 Pin) Hana, 955	36.10
A22164-002-00	X Series 571 (6 Pin) Elite & Troy, 571 (7 Pin) Hana	29.50
A22164-003-00	X571 - H designs	29.50
A22169-000-00	X Series 411, 501, 511, 521 (6 Pin) Elite & Troy	7.50
A22169-002-00	X Series 411, 501, 511, 521 (6 & 7 Pin) Hana	
A28351-000-00	Rim conventional	\$35.40
A30034-001-00	H451, H461	11.10
A30038-000-00	H511	7.50
A30480-004-00	B Series	11.20
A30730-001-00	RU, T Series most 6-pin	24.80
A30730-002-00	RU, T Series most 7-pin and T571 6-pin	
A30730-003-00	RU381, T381 inside 6-pin, B611	
A30730-004-00	RU381, T381 inside 7-pin	
A30730-006-00	RU571, T571 7-pin	

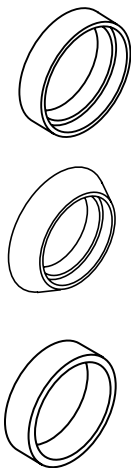
Conventional Cylinder Tailpiece Retainers, Etc.

Part Number	Application	10-Pack Price
A08355-000-00	Tailpiece retainer for rim cylinder	\$31.40
A08395-000-00	Tailpiece retaining washer for H101	6.60
A12053-000-00	Tailpiece retainer, 22164 & 22169	9.70
A24264-000-00	Tailpiece spacer	3.90
A30037-000-00	Tailpiece retainer, 30034 & 30038	9.70
B600-071	D Series Retainer Washer	1 pack / 0.88

Prices subject to change without notice



Non-IC Products

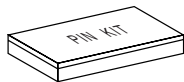


Cylinder Collars (also used for IC cylinders)				
Part Number	Size	Shape	626	605, 606 613, 625, 622, 643e
A08790-000	9/32"	Straight Protective used on escutcheon trim	\$14.70	\$16.70
A08790-001	13/32"			
A08790-002	17/32"			
A08790-003	21/32"			
A08794-000	9/32"	Tapered Protective used on sectional trim	14.70	16.70
A08794-001	13/32"			
A08794-002	17/32"			
A08794-003	21/32"	Blocking Ring	5.60	7.60
008876-000	1/8"			
008876-005	3/16"			
008876-001	1/4"			
008876-002	3/8"			
008876-003	1/2"			
008876-004	5/8"			
008862-000	n/a	Rim Cylinder	5.60	7.60

See below for wave washer. Protective rings listed above include wave washer.

Other Parts

Part Number	Application	Pack Qty.	Pkg. Price
008789-001-60	Wave washer	-	\$1.80
012162-000-10	Cylinder cap	-	2.50
031100-000-30	Hex nut for cam lock and mortise cylinders	-	10.70
A02750-000-00	Cam Screw	100	24.90
A03039-000-00	Mortise hotel function instruction plate packet	-	9.70
A12165-000-00	Cap retaining pin	10	7.80
A12165-100-00	Cap retaining pin	100	61.20
A12166-000-00	Spring for retaining pin	100	11.00



Pin Kits, Pins, Tools and Service Equipment

Part Number	Application	Pack Qty.	Pkg. Price
1416	Cylinder cap tool - steel		\$50.50
1417	Pin kit for restricted keyways (includes follower and cyl. Cap tool)		293.00
1418	Pin kit, standard (includes follower and cyl. Cap tool)		390.00
1421	Plug follower		20.40
1453	Depth key set, 5-pin		52.20
1453-1	Depth key set, 6-pin		6.60
1453-2	Depth key set, 7-pin		8.50
030113-000-60	Key gauge for standard keys (.018" systems)		26.90
030166-T10-30	Torx Screw Bit #10		31.00
030166-T15-30	Torx Screw Bit #15		
030166-T20-30	Torx Screw Bit #20		
042613-000-60	Key gauge for restricted keyways (.025" systems)		24.10
35-057	Extractor Tool		9.60
A08552-000-00	Universal top pin	100	11.80
A08553-00X-00	Bottom pins, 0 thru 9: replace; "x" with size (.018" systems)		27.40
A08554-000-00	Tumbler springs		9.60
A08556-000-00	Construction master pins		11.60
A08580-00X-00	Master pins, 2 thru 9: replace; "x" with size (.018" systems)		
A48553-00X-00	Bottom pins, 0 thru 6: replace; "x" with size (.025" systems)		
A48580-00X-00	Master pins, 1 thru 6: replace; "x" with size (.025" systems)		22.00
61-509	Emergency Release Key – Standard Size for Occupancy Indicator	-	
61-510	Emergency Release Key – Large Size for Occupancy Indicator	-	



Prices subject to change without notice

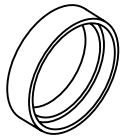
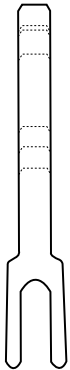
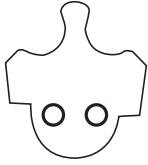
IC Cams, Throw Members, etc.

LOCKS

Cylinders & Key Systems



IC Products



IC Mortise Cylinder Cams		
Part Number	Description	Price
1397	Cam kit	\$241.00
5622-IC	Falcon MA CAM for SFIC mortise cylinders, except MA381	\$16.10
5620-IC	Falcon MA CAM for SFIC mortise cylinders MA381 inside function	
5621-IC	Falcon MA CAM for SFIC mortise cylinders MA381 outside function	
		10-Pack Price
A12667-000-00	Sargent / Yale (7)	\$61.40 pkg of 10
A12667-001-00	Adams Rite MS (8)	
A12667-002-00	Adams Rite 4070	
A12667-003-00	Straight (5), M series non-deadbolt functions	
A12667-006-00	Corbin Russwin master ring (25) (requires bushing A09890)	
A12667-007-00	M series deadbolt functions (10)	
A12667-008-00	Schlage L Series (12)	
A12667-011-00	Corbin Russwin, Arrow (11)	
A12667-013-00	Corbin Russwin DL4000	
A12667-020-00	Falcon concealed vertical rod Delta trim - 2010 and earlier (20)	
A12667-03A-00	Sargent 7737	
A20278-000-00	M381 outside (15)	
IC Throw Members (Tailpieces) and Spacers for Cylindrical Locksets		
022175-000-30	X Series except X571, new style	\$3.10
022175-001-30	X571 new style 6-pin	
022175-002-30	X571 new style 7-pin	
030739-000-30	RU, T Series most 6-pin	10.60
030739-001-30	RU, T Series most 7-pin	
030739-002-30	RU381, T381 inside 6-pin	
030739-003-30	RU381, T381 inside 7-pin	3.10
Q001-055	B & Y Series	
Q330-168	W Series Levers	
Q330-169	W Series Knobs	4.20
A12689-000-00	Rim	11.10 pkg. of 10
A12698-000-00	Retainer, IC rim cylinder	17.50 pkg. of 10
Cylinder Collars		
See page 143 for cylinder collars.		-
Other Parts		
A12663-001-00	Throw pins, package of ten (10)	\$13.70 pkg.
A12663-002-00	Throw pins, package of ten (10)	
A12663-003-00	Throw pins, package of ten (10)	
A12663-004-00	Throw pins, package of ten (10)	
A12663-008-00	Throw pins, package of ten (10)	
A12663-009-00	Throw pins, package of ten (10)	
A12664-010-00	Drive washer, package of ten (10)	
002807-000-30	Mortise cylinder security screw	0.74

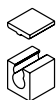
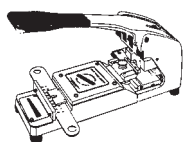
	D111/D211 D141/D241	D121/D221	D131/D231	D251/D271	D261/D261M
Door Range:	B520-651 1.6"	B520-667 1.265"	B600-045 0.67"	B520-653 2.875"	B600-041 2.4"
	B520-652 2.0"	NA	B600-046 0.95"	NA	NA
	B202-957 1.4"	B220-032 1.03"	B202-580 0.45"	NA	NA

Prices subject to change without notice



IC Products

Tools		
Part Number	Description	Price Each
1208	Key biting punch machine, standard A2 System	\$3,649.00
1392	Capping pin, Best style capping	37.80
1393	Capping block, Best style capping	176.00
1398	Core and key stamping fixture	204.00
1400	IC mortise cyl. assy./ disassembly tool set w/punch	264.00
1401	IC mortise cyl. assy./ disassembly tool	240.00
1402	IC cam staking center punch	21.90
1405	Ejector tool	24.80
1407	Mortise cylinder installation wrench	40.90
1411	Pinning block set, Falcon spring cover cores	139.00
1414	Pinning block only, Falcon spring cover cores	91.40
1415	Tamping Plate	50.10
012612-000-60	Key Gauge (A2 System)	16.90
030425-000-60	Key Gauge (A4 System)	16.90
031034-000-30	A4 System depth bar for key biting punch	249.00
Pin Kits		
1404 (standard)	Pin kit, A2 System complete in wooden case; Falcon spring cover cores	\$820.00
1391	Pin kit, A2 System complete in wooden case; Best style capping	
1403	Pin kit, A4 System complete in wooden case; Falcon spring cover cores	
1390	Pin kit, A4 System complete in wooden case; Best style capping	
Pin, Springs, etc.		
A12635-0xx-00	A2 top pins, #2 through #19; replace "xx" with size, 100/pkg	\$12.60 pkg
A12636-0xx-00	A2 bottom pins, #0 through #9; replace "xx" with size, 100/pkg	
A30375-0xx-00	A4 top pins, #1 through #11; replace "xx" with size, 100/pkg	
A30376-0xx-00	A4 bottom pins, #0 through #5; replace "xx" with size, 100/pkg	10.40 pkg
A12637-000-00	Tumbler Spring, 100/pkg.	
A12637-500-00	Tumbler Spring, 500/pkg.	27.00 pkg
A12638-000-00	Caps for Best style cores, 500/pkg.	31.50 pkg
A12639-001-00	Spring cover, 6-Pin, 100/pkg.	
A12639-002-00	Spring cover, 7-Pin 100/pkg.	



Prices subject to change without notice

Keying and Stamping Charges

Master Keying		
Part Number	Description	List Price
50-210	Conventional cylinder Master Keyed (MK), Grand Master Keyed (GMK), Emergency Master Keyed (EMK), and Single Keyed (SKD) groups	\$15.30
-	Interchangeable core Master Keyed (MK), Grand Master Keyed (GMK), Emergency Master Keyed (EMK), and Single Keyed (SKD) groups	No Charge

Construction Keying – Conventional Cylinder		
Part Number	Description	List Price
50-211	Cylinder Construction Keyed (CK)	\$5.00
50-212	Cylinder Block-O-Keyed (BOK)	
60-000	Pack change keys independently for construction keying	No Charge

Other Keying Charges		
Part Number	Description	List Price
-	Cylinder keyed different (KD) or keyed alike to a Falcon selected combination (KA) in sets of 2 or more	No Charge
-	Cylinder 0-bitted or 1-bitted, as applicable	No Charge
50-001	Conventional cylinder keyed to a specific combination	\$7.70
50-215	Standard cylinder extra key charge	6.30
50-232	Extra Cut Key with cylinder/lock	6.80
60-001	Pack change keys independently for non-construction keying	0.56 per key

- Notes:**
- 1) Any cylinder operated by keys other than its own change key, or Single Keyed (SKD) groups within a masterkey system are subject to masterkeying charges. The Falcon Masterkey department determines and makes the final decision in the selection and use of key. 100% system expansion is allowed for new masterkey systems, unless otherwise specified.
 - 2) Construction keyed cylinder charges are in addition to masterkeying charges. PKI (Pack Keys Independently) packaging is included at no additional charge.
 - 3) Construction keying is not available with SFIC cylinders. Construction cores may be ordered for interchangeable core locks and for mortise and rim cylinders, for use during construction. See Construction Core Program.
 - 4) Block-O-Key construction keying requires 6-pin cylinders and is available only in select keyways.
 - 5) Construction keys must be ordered separately. See Page 141.
 - 6) Conventional cylinders are available 0-bitted.
 - 7) Conventional restricted key section cylinders are furnished 1-bitted unless otherwise specified.
 - 8) Falcon locks and cylinders are furnished with Falcon G key section, keyed differently (KD) unless otherwise specified.
 - 9) Falcon SFIC cylinders are furnished with A keyway, uncombined, without keys when not specified.

Prices subject to change without notice

Keying and Stamping Charges

Key & Core Stamping			
Part Number	Description	Price	
		Standard	I-Core
50-002	VKC - Cylinders - Standard and I-Core, Standard and non-standard code	\$4.40	-
50-217	VKC – Visual Key Control, standard symbols (AA1, AA2, etc. on keys	2.10	\$2.10
50-003	Non-standard code letters or numbers than industry standard key symbols on key (5 max.)		
50-216	CKC - Cylinders - I-Core only, Standard and non-standard code	-	4.40

Special & Custom Die Stamps		
Part Number	Description	List Price
50-219	Keys stamped with custom or special dies – i.e, STATE OF FLORIDA, DO NOT DUPLICATE, etc.	\$2.10

Bitting Lists (Keying Transcripts)		
Part Number	Description	List Price
50-123	Bitting list for factory masterkeyed products (requires written authorization from end-user on letterhead)	\$245.00
50-120	Establish new masterkey system for field masterkeying, up to 50 bittings.	36.50
50-121	Each additional bitting for field masterkeying.	4.70
50-122	New change key bitting for cylinders keyed in the field	3.70

Prices subject to change without notice

Prices subject to change without notice

Table of Contents

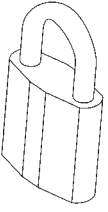
Padlocks	150
Complete Lock Pricing	150
Cable Locks	151
Padlocks.....	153
Padlocks, Parts and Accessories.....	154
Complete Padlocks	156
Special Security Products.....	157
Lock Mounts.....	158
Display Mounts.....	158

Prices subject to change without notice

Auxiliary Products

LOCKS

Auxiliary Products

Padlocks	Available in: 606
	

Padlocks		
Cat No.	Description	Finish 606
955-1P	Deadlocking type - 1" shackle	\$152.00
955-2P	Deadlocking type - 2" shackle	164.00
955-6P	Deadlocking type - 6" shackle	

Notes: 1) Key is removable with shackle in locked position only.
 2) Falcon padlocks now discount as complete locks and not as parts.

Options	
Description	Price
Cylinders	
5-pin (drilled for 6)	Standard
6-pin	No Charge
7-pin (per cylinder)	\$12.30
Less cylinder	Deduct \$21.00
Competitor's keyways in standard cylinder model (see page 4)	No Charge
Keying	
Master keying, conventional cylinder	See page 146
Construction master keying, conventional cylinder	See page 146

Prices subject to change without notice

Standard Features for Commercial Series Padlocks - Stock

Certification	Meets or exceeds ASTM standards for standard steel shackle, shackle cutting and corrosion resistance.
Lock Body	Chrome plated brass - resists corrosion.
Shackle	Hardened steel alloy, double deadbolt locking mechanism.
Cylinder*	Accepts Falcon 6 or 7-pin small format interchangeable core (SFIC), as well as SFIC products from other manufacturers.

*All padlocks supplied less cylinder. Cylinders must be ordered separately.

Standard Features for Commercial Series Cables - Interchangeable Core

Lock Head	Die-cast zinc, 407 satin finish
Cable	Braided steel vinyl coated for greater cut resistance than twisted cables
Cylinder*	Accepts Falcon 6 or 7-pin small format interchangeable core (SFIC), as well as SFIC products from other manufacturers.

*All cables supplied less cylinder. Cylinders must be ordered separately.

Important Ordering Information

Locks must be ordered in case quantities; this does not apply to factory ordered Falcon branded 955 Series locks. Case quantity is listed with each product. All prices listed are unit prices.

Note: All Falcon cylinders will ship separately.

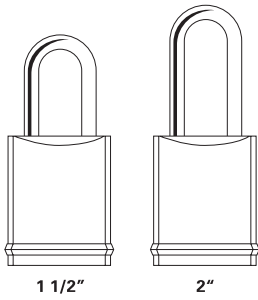
Prices subject to change without notice

Auxiliary Products - Cable Locks

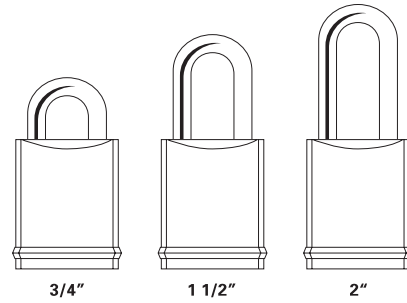
LOCKS

Auxiliary
Products

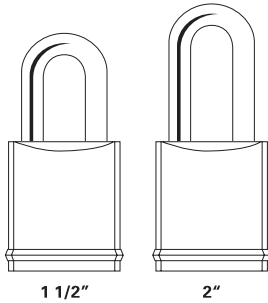
10 Series - 1/4" Shackle diameter



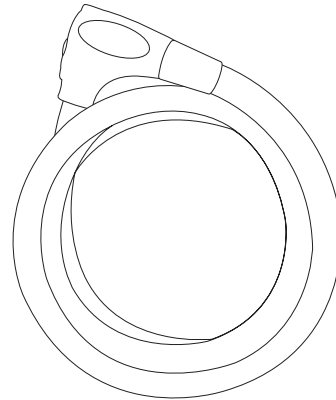
20 Series - 5/16" Shackle diameter



40 Series - 3/8" Shackle diameter



KC Series - 2', 4' lengths



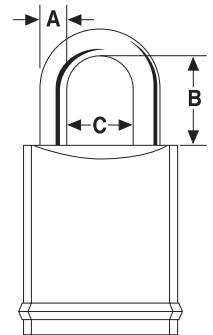
Prices subject to change without notice

Padlocks - Small Format Interchangeable Core (SFIC) - Less Cylinder				
Part Number	Shackle Dimensions			List Price
	A	B	C	
Chrome Plated Brass Body - KS11 2 Series (Body Dimensions: 1-25/32" wide, 2-3/16" high, 7/8" thick)				
KS11D1200	1/4" (6.4mm)	1-1/2" (38mm)	3/4" (19mm)	\$32.30
KS11F1200		2" (51mm)		33.80
Chrome Plated Brass Body - KS21 Series (Body Dimensions: 1-25/32" wide, 2-3/16" high, 7/8" thick)				
KS21D1200		1-1/2" (38mm)		34.30
KS21F1200		2" (51mm)		36.00
Chrome Plated Brass Body - KS41 Series (Body Dimensions: 1-15/16" wide, 2-3/16" high, 7/8" thick)				
KS41D1200	3/8" (9.5mm)	1-1/2" (38mm)	3/4" (19mm)	\$34.30
KS41F1200		2" (51mm)		36.00

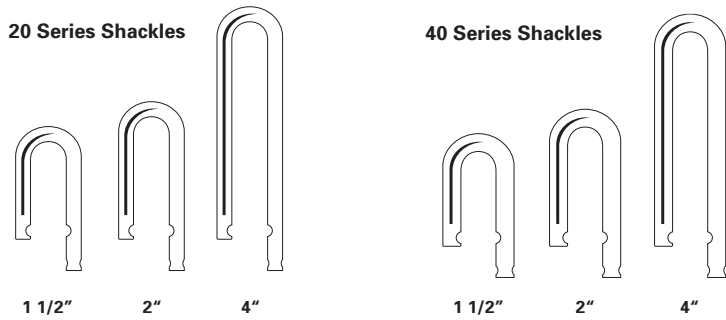
- Notes:** 1) Product is shipped without cylinder. For cylinder options: see **Cylinders**.
 2) Keying options: see **Keys & Keying**. See **Terms & Conditions** for more information.
 3) Case quantity is 6.

Cables - SFIC - Less Cylinder				
Part Number	Cable Diameter	Cable Length	List Price	
Braided Steel Key Cable - KC2 Series				
KC215B130	5/8" (15mm)	4' (121cm)	69.70	

- Notes:** 4) Product is shipped without cylinder. For cylinder options: see **Cylinders**.
 5) Keying options: see **Keys & Keying**. See **Terms & Conditions** for more information.
 6) Case quantity is 6.



Prices subject to change without notice



Commercial Series: Replacement Shackles

Part Number	Shackle Dimensions			List Price
	A	B	C	
Hardened Steel Shackle - For Use with 20 Series Padlocks				
KZ11G20	5/16" (8mm)	4" (102mm)	3/4" (19mm)	\$12.00
Brass Shackle - For Use with 10 Series Padlocks				
KZ12D10	1/4" (6.4mm)	1-1/2" (38mm)	3/4" (19mm)	\$6.70
KZ12G10		4" (102mm)		9.50
Brass Shackle - For Use with 20 Series Padlocks				
KZ12D20	5/16" (8mm)	1-1/2" (38mm)	3/4" (19mm)	\$7.80
KZ12G20		4" (102mm)		12.00
Brass Shackle - For Use with 40 Series Padlocks				
KZ12D40	3/8" (9.5mm)	1-1/2" (38mm)	3/4" (19mm)	\$10.40
KZ12G40		4" (102mm)		14.80
Stainless Steel Shackles - For use with 20 Series Padlocks				
KZ13D20	5/16" (8mm)	1-1/2" (38mm)	3/4" (19mm)	\$8.30
KZ13F20		2" (51mm)		8.60
Stainless Steel Shackles - For use with 40 Series Padlocks				
KZ13D40	3/8" (9.5mm)	1-1/2" (38mm)	3/4" (19mm)	\$10.40
KZ13F40		2" (51mm)		10.70

Note: 1) Case quantity is 6.

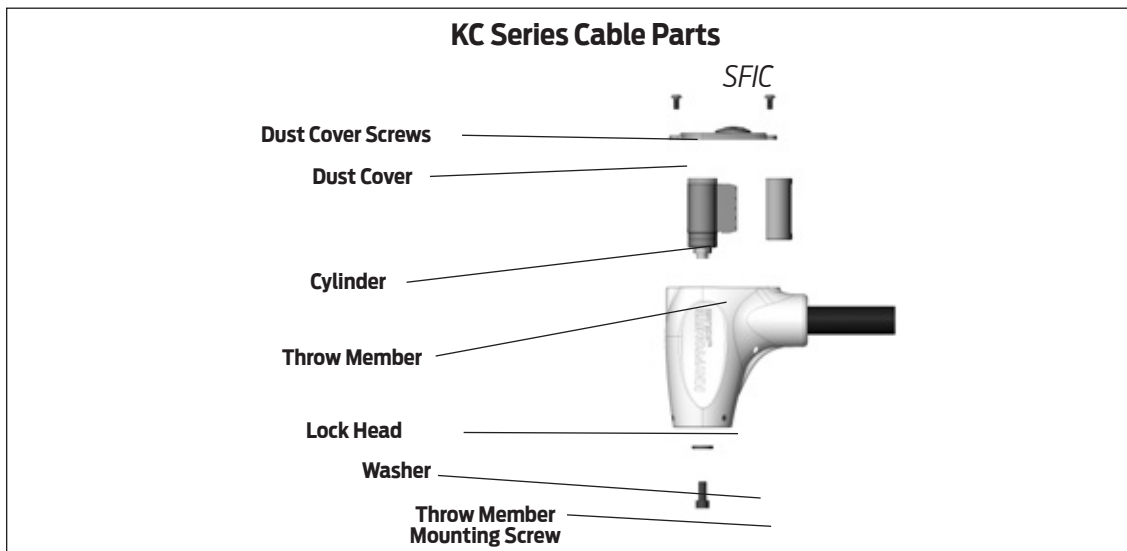
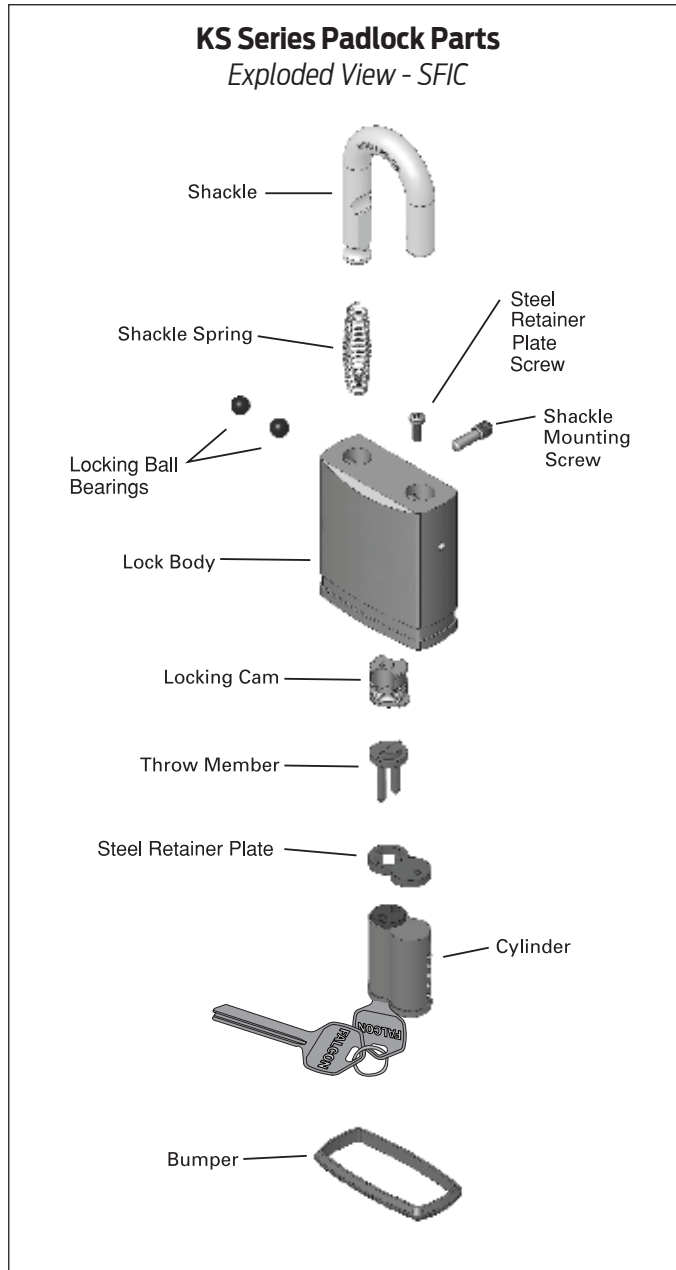
Important Ordering Information

Locks must be ordered in case quantities; this does not apply to factory ordered Falcon branded 955 Series locks. Case quantity is listed with each product. All prices listed are unit prices.

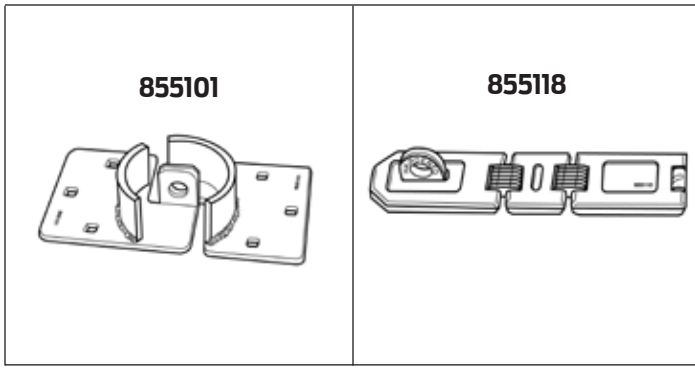
Note: All Falcon cylinders will ship separately.

Prices subject to change without notice

This page intentionally left blank



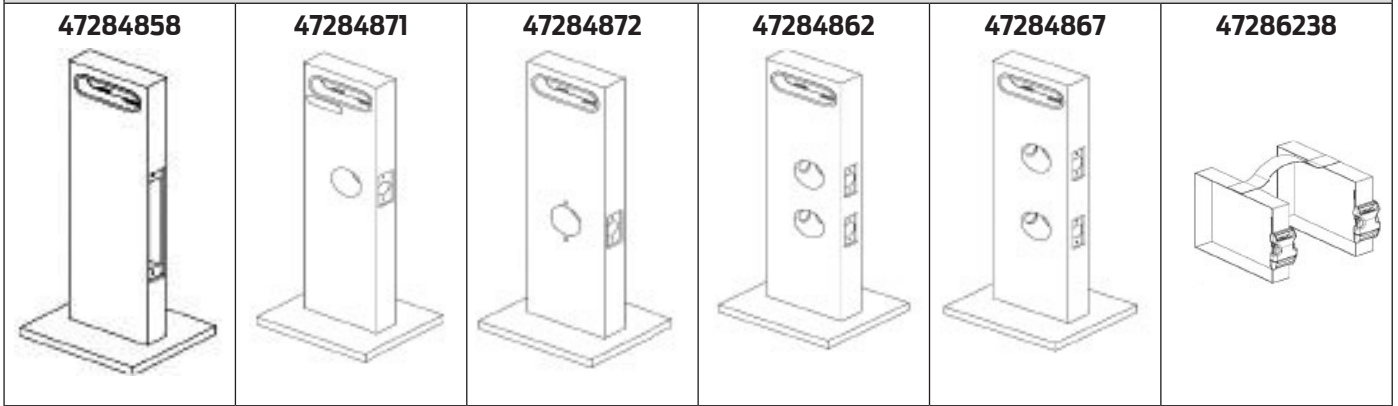
Prices subject to change without notice



Specialty Security Products				
Security Hasps				
Part Number	Body Dimension			Price Each
855101	8-1/2" x 4-1/2"	3		\$42.00
855118	7-3/4" x 1-3/4"	6		13.40

Prices subject to change without notice

Falcon Commercial White Wood Mounts



Display Mounts

Part Number	Description	Dimension (inches)					List Price
		Backset	Bore	Faceplate Width	Total Height	Width at Base	
47284858	Mortise Mount	2-3/4	-	1-1/4	19-7/8	8	\$166.00
47284871	Deadbolt, Knob, & Keypad Mount	2-3/8	2-1/8	1	19-7/8	8	166.00
47284872	Cylindrical Mount	2-3/4	2-1/8	1-1/8	19-7/8	8	166.00
47284862	4-inch Interconnect Mount	2-3/8	2-1/8	1	19-7/8	8	166.00
47284867	5.5-inch Interconnect Mount	2-3/8	2-1/8	1	19-7/8	8	166.00
44-115	Clear Plastic Mount Ring	-	-	-	-	-	45.00
47286238	Mount Carton Carrying Strap	-	-	-	-	-	20.80

Note: 1) Price does not include lock

Prices subject to change without notice

Part No.	Page	Part No.	Page	Part No.	Page	Part No.	Page
001911-001-70	139	030712-000-30	50, 64	031702-000	97	36-071	89, 117
002762-000	50	030712-001-30	50, 64	031703-000	97	37-016	128
002770-016-30	50, 65	030718-000-30	50, 64	031705-000-30	98	38-031	89, 117
002807-000-30	144	030718-001-30	50, 64	031718-000	98	44-115	158
005099-000-30	36	030722-000-30	50, 64	031719-000	98	47284858	158
008789-001-60	143	030724-000-30	50, 64	031741-000-50	98	47284862	158
008862-000	143	030726-000-30	50, 64	042613-000-60	143	47284867	158
008876-000	143	030726-007-30	50, 64	10-001	127, 128	47284871	158
008876-001	143	030728-000	50, 64	10-026	127, 128	47284872	158
008876-002	143	030729-000-70	64	10-027	127, 128	47286238	158
008876-003	143	030732-000-30	64	10-064	89, 117	50-001	146
008876-004	143	030732-001-30	64	10-087	89, 117	50-002	147
008876-005	143	030733-000-55	50, 64	10-092	89, 117, 127, 128	50-003	147
012136-000	73	030733-002	64	10-094	89, 117, 127, 128	50-120	147
012137-000	73	030739-000-30	144	10-095	89, 117, 127, 128	50-121	147
012138-000	73	030739-001-30	144	10-109	127, 128	50-122	147
012162-000-10	143	030739-002-30	144	10-116	127, 128	50-123	147
012172-000-30	73	030739-003-30	144	10-121	127, 128	50-210	146
012236-000	73	030740-000	63	10-122	127, 128	50-211	146
012612-000-60	145	030740-001	63	10-123	127, 128	50-212	146
012966-000	73	030740-002	63	10-124	127, 128	50-215	146
012967-000	73	030742-000	49, 63	12-626	88, 116	50-216	147
021164-016	50, 65, 73, 98	030742-001	49, 63	1208	145	50-217	147
022104-000-30	50, 64	030742-002	49, 63	1387	50, 64	50-219	147
022105-000-30	50, 64	030744-000	49, 63	1388	64	50-232	146
022106-002-55	50, 64	030744-001	49, 63	1389	142	5075	89, 117
022108-000-60	50, 64	030744-002	49, 63	1390	145	5620-IC	144
022112-000-30	50, 64	030755-005-30	50, 65	1391	145	5620-STD	142
022175-000-30	144	030787-000-70	64	1392	145	5621-IC	144
022175-001-30	144	030831-004-30	50, 65	1393	145	5621-STD	142
022175-002-30	144	030926-001	63	1396	142	5622-IC	144
022258-007	73	030926-002	49, 63	1397	144	5622-STD	142
022258-008	73	030926-003	49, 63	1398	145	60-000	146
022258-009	73	030927-001	63	1400	145	60-001	146
022290-007	73	030927-002	49, 63	1401	145	61-500	90, 119
022920-000	73	030927-003	49, 63	1402	145	61-501	90, 119
022950-007	73	030928-001	63	1403	145	61-502	90, 119
022950-008	73	030928-002	49, 63	1404	145	61-503	90, 119
022953-007	73	030928-003	49, 63	1405	145	61-504	119
022980-007	73	030929-001	63	1407	145	61-505	119
022980-008	73	030929-002	49, 63	1411	145	61-506	119
022980-009	73	030929-003	49, 63	1414	145	61-507	90, 119
022981-007	73	030930-001	63	1415	145	61-509	116, 143
022986-001-50	50, 64	030930-002	49, 63	1416	143	61-510	116, 143
024030-000	73	030930-003	49, 63	1417	143	855101	157
024416-012	50, 65, 73, 98	030996-001	63	1418	143	855118	157
030057-002	36	030996-002	49, 63	1421	143	945	132
030113-000-60	143	030996-003	49, 63	1453	143	950	132
030166-T10-30	143	031034-000-30	145	1453-1	143	951	132
030166-T15-30	143	031100-000-30	143	1453-2	143	954	132
030166-T20-30	143	031452-000	49	24483760	61	973	132
030425-000-60	145	031511-000-30	50, 64	250	132	974	132
030480-004-00	142	031514-000-30	50, 64	251	132	984D	132
030654-000-625	64	031515-004-30	65	252	132	985	132
030654-000-626	64	031516-000-70	64	253	132	985D	132
030703-000-30	50, 64	031519-000-30	50	330055	139	985T	132
030704-002-30	50, 64	031531-006-30	65	330278	139	986	132
030706-002	63	031533-006-30	50, 65	35-057	143	986T	132
030709-000-60	50, 64	031541-006-30	50			987	132
		031700-002	97			988	132
		031701-002	97			990	132

Product Index - Locks

Part No.	Page	Part No.	Page	Part No.	Page	Part No.	Page
992.....	132	A12667-020-00.....	144	A23160-4.....	134	A23169-11.....	136
A02750-000-00.....	143	A12667-03A-00.....	144	A23160-5.....	134	A23169-12.....	136
A03039-000-00.....	143	A12689-000-00.....	144	A23160-6.....	134	A23169-13.....	136
A03519-000.....	73	A12698-000-00.....	144	A23160-7.....	134	A23169-2.....	136
A08350-000-00.....	142	A20065-000-00.....	142	A23160-8.....	134	A23169-3.....	136
A08355-000-00.....	142	A20069-000-00.....	142	A23161.....	72, 133	A23169-4.....	136
A08395-000-00.....	142	A20278-000-00.....	144	A23161-01.....	133	A23169-5.....	136
A08552-000-00.....	143	A22164-000-00.....	142	A23161-02.....	72, 133	A23169-6.....	136
A08553-00X-00.....	143	A22164-001-00.....	142	A23161-03.....	72, 133	A23169-7.....	136
A08554-000-00.....	143	A22164-002-00.....	142	A23161-05.....	47, 57, 133	A23169-8.....	136
A08556-000-00.....	143	A22164-003-00.....	142	A23161-06.....	47, 57, 95, 133	A23171-01.....	72, 133
A08580-00X-00.....	143	A22169-000-00.....	142	A23161-07.....	47, 57, 133	A23171-02.....	72, 133
A08790-000.....	143	A22169-002-00.....	142	A23162.....	72, 133	A23171-05.....	47, 57, 133
A08790-001.....	143	A23151.....	72, 133	A23162-02.....	72, 133	A23171-06.....	47, 57, 133
A08790-002.....	143	A23151-01.....	133	A23165.....	133	A23172-02.....	72, 133
A08790-003.....	143	A23151-02.....	72, 133	A23166.....	136	A23174.....	135
A08790-004.....	143	A23151-03.....	72, 133	A23166-1.....	136	A23174-1.....	135
A08794-000.....	143	A23151-05.....	47, 57, 133	A23166-10.....	136	A23174-10.....	135
A08794-001.....	143	A23151-06.....	47, 57, 95, 133	A23166-11.....	136	A23174-11.....	135
A08794-002.....	143	A23152.....	72, 133	A23166-12.....	136	A23174-12.....	135
A08794-003.....	143	A23152-02.....	72, 133	A23166-13.....	136	A23174-13.....	135
A08867-000-00.....	142	A23155.....	133	A23166-2.....	136	A23174-2.....	135
A09888-000-00.....	142	A23155-02.....	95, 133	A23166-3.....	136	A23174-3.....	135
A09890-000-00.....	142	A23159-000.....	134	A23166-4.....	136	A23174-4.....	135
A09894-001-00.....	142	A23159-1.....	134	A23166-5.....	136	A23174-5.....	135
A09894-002-00.....	142	A23159-10.....	134	A23166-6.....	136	A23174-6.....	135
A09894-003-00.....	142	A23159-11.....	134	A23166-7.....	136	A23174-7.....	135
A09894-021-00.....	142	A23159-12.....	134	A23166-8.....	136	A23174-8.....	135
A09894-022-00.....	142	A23159-13.....	134	A23167.....	135	A24264-000-00.....	142
A09894-023-00.....	142	A23159-2.....	134	A23167-1.....	135	A28351-000-00.....	142
A09897-000-00.....	142	A23159-3.....	134	A23167-10.....	135	A30028.....	133
A09897-024-00.....	142	A23159-4.....	134	A23167-11.....	135	A30028-01.....	133
A09898-000-00.....	142	A23159-5.....	134	A23167-12.....	135	A30034-001-00.....	142
A09899-000-00.....	142	A23159-6.....	134	A23167-13.....	135	A30036-01.....	133
A12053-000-00.....	142	A23159-7.....	134	A23167-2.....	135	A30037-000-00.....	142
A12165-000-00.....	143	A23159-8.....	134	A23167-3.....	135	A30038-000-00.....	142
A12165-100-00.....	143	A23160-000.....	134	A23167-4.....	135	A30040.....	133
A12166-000-00.....	143	A23160-1.....	134	A23167-5.....	135	A30040-01.....	133
A12635-0xx-00.....	145	A23160-10.....	134	A23167-6.....	135	A30375-0xx-00.....	145
A12636-0xx-00.....	145	A23160-11.....	134	A23167-7.....	135	A30376-0xx-00.....	145
A12637-000-00.....	145	A23160-12.....	134	A23167-8.....	135	A30480-004-00.....	142
A12637-500-00.....	145	A23160-13.....	134	A23168.....	135	A30730-001-00.....	142
A12638-000-00.....	145	A23160-14.....	134	A23168-1.....	135	A30730-002-00.....	142
A12639-001-00.....	145	A23160-15.....	134	A23168-10.....	135	A30730-003-00.....	142
A12639-002-00.....	145	A23160-16.....	134	A23168-11.....	135	A30730-004-00.....	142
A12663-001-00.....	144	A23160-17.....	134	A23168-12.....	135	A30730-006-00.....	142
A12663-002-00.....	144	A23160-18.....	134	A23168-13.....	135	A30746-000-00.....	50, 64
A12663-003-00.....	144	A23160-19.....	134	A23168-2.....	135	A30747-000-00.....	50, 64
A12663-004-00.....	144	A23160-20.....	134	A23168-3.....	135	A30748-000-00.....	65
A12663-008-00.....	144	A23160-21.....	134	A23168-4.....	135	A30748-001-00.....	65
A12663-009-00.....	144	A23160-22.....	134	A23168-5.....	135	A30749-060-00.....	50, 64
A12664-010-00.....	144	A23160-23.....	134	A23168-6.....	135	A30749-070-00.....	50, 64
A12667-000-00.....	144	A23160-24.....	134	A23168-7.....	135	A30753-00.....	49, 63
A12667-001-00.....	144	A23160-25.....	134	A23168-8.....	135	A30753-01.....	49, 63
A12667-002-00.....	144	A23160-26.....	134	A23169.....	136	A30756-000-00.....	65
A12667-003-00.....	144	A23160-3.....	134	A23169-1.....	136	A30756-001-00.....	65
A12667-006-00.....	144			A23169-10.....	136	A30758-000-00.....	65
A12667-007-00.....	144						
A12667-008-00.....	144						
A12667-011-00.....	144						
A12667-013-00.....	144						

Part No.	Page	Part No.	Page	Part No.	Page	Part No.	Page
A30758-001-00	65	A7807-xx	35	B520-649	89, 117	KS21F1200	153
A30759-000-00	65	A7808-xx	35	B520-650	89, 117	KS41D1200	153
A30759-001-00	65	A7809-xx	35	B520-651	142	KS41F1200	153
A30760-000-00	65	A7813-xx	35	B520-652	142	KZ11G20	154
A30760-001-00	65	A7814-xx	35	B600-018	88, 116	KZ12D10	154
A30761-000-00	65	A7815-xx	35	B600-045	142	KZ12D20	154
A30765-000-00	65	A7816-xx	35	B600-046	142	KZ12D40	154
A30767-000-00	65	A7819-xx	35	B600-047	90, 118	KZ12G10	154
A30767-001-00	65	A7820-xx	35	B600-053	90, 118	KZ12G20	154
A30769-000-00	65	A7821-xx	35	B600-066	90, 118	KZ12G40	154
A30769-001-00	65	A7822-xx	35	B600-071	142	KZ13D20	154
A30773-000-00	65	A7829-xx	35	B600-078	90, 118	KZ13D40	154
A30773-001-00	65	A7830-xx	35	B600-100	90, 118	KZ13F20	154
A30775-000-00	64	A7831-xx	35	B600-101	90, 118	KZ13F40	154
A30780-000-00	64	A7851-12-xx	35	C603-897	90, 118	M204-198	64
A30780-001-00	64	A7851-12RX-xx	35	E77012-IB	36	PEI396	36
A30905-001-00	50	A7851-24-xx	35	E77012-IC	36	Q001-055	144
A30905-060-00	50	A7851-24RX-xx	35	E77012-1K	36	Q005-085	107
A30906-001-00	64	A7881-12-xx	35	E77012-IP	36	Q033-026	107
A30906-060-00	64	A7881-12RX-xx	35	E77300	36	Q033-066	134
A30906-070-00	50, 64	A7881-24-xx	35	E77301	36	Q033-067	134
A30913-000-00	50, 64	A7881-24RX-xx	35	E77302	36	Q033-069	134
A30913-001-00	50, 64	AE55012-OC	35	E77303	36	Q033-070	134
A30915-000-00	64	AE55012-OT	35	E77306	36	Q033-071	134
A30915-001-00	64	AE77012-IE	36	E77307	36	Q033-072	135
A31517-000-00	65	AE77012-IT	36	J250-028	89, 90, 117, 118	Q033-073	135
A31517-001-00	65	AE77012-OC	36	KB525	139	Q033-074	135
A31518-000-00	65	AE77012-OK	36	KB531	139	Q033-075	136
A31518-001-00	65	AE77012-OP	36	KB536	139	Q033-076	136
A31544-00*	49	AE77012-OT	36	KB544	139	Q033-077	135
A31544-00	63	AE77029-L/RH	35	KB545	139	Q033-078	135
A31706-000-00	97	AE77100-L/RH	35	KB545	139	Q033-079	135
A31707-000-00	97	AE77140-L/RH	35	KB565	139	Q100-100	127, 128
A31707-002-00	97	AE77280-L/RH	35	KB566	139	Q100-101	127, 128
A31708-000	97	AE77310-L/RH	35	KB567	139	Q100-102	128
A31708-001	97	AE77321-L/RH	35	KB573	139	Q100-104	133
A31708-002	97	AE77360-L/RH	35	KB574	139	Q100-105	133
A31708-003	97	AE77526-L/RH	35	KB577	139	Q100-108	134
A31709-000-00	97	AE77760-L/RH	35	KB578	139	Q330-041	127, 128
A31709-001-00	97	AE87012-OC	36	KB579	139	Q330-152	105, 134
A31714-000-00	97	AE87012-OK	36	KB580	139	Q330-154	105, 133
A31714-001-00	97	AE87012-OT	36	KB581	139	Q330-156	136
A31715-000-00	97	AE87012-IC	36	KB582	139	Q330-158	135
A31715-001-00	97	AS5813	36	KB584	139	Q330-160	136
A31716-000-00	97	AS75319	35	KB590	139	Q330-164	107, 142
A31716-001-00	97	AS76029-L/RH	35	KB591	139	Q330-166	135
A31739-000	97	AS76100-L/RH	35	KB592	139	Q330-168	107, 144
A31739-001	97	AS76140-L/RH	35	KB593	139	Q330-169	107, 144
A31750-000	97	AS76280-L/RH	35	KB751	139	Q330-170	107
A31750-001	97	AS76310-L/RH	35	KB761	139	Q330-175	116, 128
A31751-000	97	AS76319	35	KB771	139	Q330-176	88
A31751-001	97	AS76321-L/RH	35	KB794	139	Q330-177	116, 128
A31764-000	97	AS76360-L/RH	35	KB797	139	Q330-178	88
A31767-000	98	AS76526-L/RH	35	KB799	139	Q330-179	107
A48553-00X-00	143	AS76760-L/RH	35	KB905	139	Q330-182	107
A48580-00X-00	143	AS76853	35	KB906	139	Q330-210	135
A7801-xx	35	B202-578	129	KB907	139	Q330-215	139
A7802-xx	35	B302-041	88, 116	KC215B130	153	Q330-237	134
A7804-xx	35	B302-045	88, 116	KS11D1200	153	Q330-238	133
A7805-xx	35	B502-873	129	KS11F1200	153	Q330-239	136
A7806-xx	35	B520-298	90, 118	KS21D1200	153		

Product Index - Locks

LOCKS

Product Index

Part No.	Page	Part No.	Page	Part No.	Page	Part No.	Page
Q330-240.....	135	Q330-397.....	78	Q500-056.....	115, 133	S76300.....	36
Q330-241.....	135	Q330-399.....	80	Q500-057.....	115, 133	S76301.....	36
Q330-242.....	135	Q330-430 BRK.....	63	Q500-058.....	87, 133	S76302.....	36
Q330-243.....	136	Q330-430 BRW.....	63	Q500-059.....	87, 133	S76303.....	36
Q330-245.....	134	Q330-430 LAT.....	63	Q500-064.....	87, 133	S76306.....	36
Q330-245-5.....	134	Q330-430 LON.....	63	Q500-065.....	133	S76307.....	36
Q330-246.....	133	Q330-431 BRK.....	63	Q500-065-5C.....	134	S76802.....	36
Q330-247.....	136	Q330-431 BRW.....	63	Q500-066.....	87, 133	S76806.....	36
Q330-248.....	135	Q330-431 LAT.....	63	Q500-067.....	115, 133	S76816.....	36
Q330-249.....	135	Q330-431 LON.....	63	Q500-069.....	115, 133		
Q330-250.....	135	Q330-432 BRK.....	63	Q500-070.....	87, 133		
Q330-251.....	136	Q330-432 BRW.....	63	Q500-071-5C.....	134		
Q330-253.....	116	Q330-432 LAT.....	63	Q500-072.....	115, 133		
Q330-254.....	116	Q330-432 LON.....	63	Q630-246.....	80		
Q330-256.....	88	Q330-433 BRK.....	63	Q630-254.....	80		
Q330-257.....	88	Q330-433 BRW.....	63	Q630-276.....	80		
Q330-270.....	64	Q330-433 LAT.....	63	Q630-277.....	80		
Q330-271.....	64	Q330-433 LON.....	63	Q630-278.....	80		
Q330-272.....	50	Q330-447.....	107	Q630-279.....	80		
Q330-273.....	50	Q330-448.....	107	Q630-288.....	80		
Q330-276.....	139	Q500-010.....	115, 133	Q630-289.....	80		
Q330-282.....	107	Q500-012.....	115, 133	Q630-306.....	78		
Q330-310.....	78	Q500-014.....	115, 133	Q630-312.....	80		
Q330-311.....	78	Q500-021.....	87, 133	R525-256.....	90, 118		
Q330-391.....	78	Q500-022.....	133	S206-504.....	129		
Q330-392.....	80	Q500-046.....	87, 133	S206-505.....	129		
Q330-393.....	80	Q500-047.....	133	S206-506.....	129		
Q330-394.....	80	Q500-054.....	87, 133	S76012.....	35		
Q330-396.....	78	Q500-055.....	133	S76206.....	36		

Finishes	164
General Exit Device Information	164
Factors Affecting Exit Devices	165
New Nomenclature Conversion Chart	166
How to Order	167

Exit Devices

Pushpad Architectural Heavy Duty

25-R Series	170-171
25-V Series	172-173
25-M Series	174-175
25-C Series	176-177
25-C-WDC Series	178-179
25 Series Device Options	180-181
25 Series Trims	182
25 Series Device Accessories	182-185
25 Series Device and Trim Parts	186-190
24-V Series	208-209
24-C Series	210-211
24-C-CWDC Series	212-213
24 Series Device Options	214
24 Series Trims	215
24 Series Device Accessories	216-219
24 Series Device and Trim Parts	220-223

Pushpad Commercial Medium Duty

19-R Series	236-237
19-V Series	238
19-V Series	239
19 Series Device Options	240
19 Series Trims	241
19 Series Device Accessories	242-244
19 Series Device and Trim Parts	245-246

20 Series Devices and Trims	254
-----------------------------------	-----

1490 Series and Device Options/Accessories	255-256
1590 Series and Device Options/Accessories	257-258
1490/1590 Device Parts	259

1690 Series and Device Options/Accessories	267-268
1690 Device Parts	269

1790 Series and Device Options/Accessories	272-273
1790 Device Parts	274

Crossbar Narrow Stile **276**

1990 Series and Device Options/Accessories	276-277
1990 Device Parts	278
2090 Series and Device Options/Accessories	282-283
2090 Device Parts	284

Recessed Concealed Vertical Mid-Panel **288**

2390 Series and Device Options/Accessories	288
2390 Device Parts	290

Exit Device Accessories **294**

Mullions and Mullion Parts	294
Mullion Parts	295
Sex Bolts	295
Delayed Egress	295

Numerical Index	296-298
-----------------------	---------



Prices subject to change without notice

Exit Device Finishes

US	BHMA	Finish Color Description
SP28	689	Silver Painted (Resembles Aluminum Finish)
P13/SP313	695	Dark Bronze Painted (Spray Duranodic)
P35	622	Flat Black Painted
US3	605/666	Brass, Polished
US4	606/667	Brass, Satin
US9	611/705	Bronze, Polished
US10	612/668	Bronze, Satin
US11	643e	Aged Bronze
US10B	613/703	Bronze, Oil-Rubbed Satin
US15	619/670	Nickel, Satin
US19	622	Flat Black Painted
US26	625/672	Chrome, Polished
US26D	626/702	Chrome, Satin
US32	629	Stainless Steel, Polished
US32D	630	Stainless Steel, Satin
US28	628	Anodized Aluminum, Clear (Satin)
DC13 / 313AN	710	Anodized Aluminum, Duranodic Dark Bronze
DC35	711	Anodized Aluminum, Flat Black
USP	600	Prime Coat

REFERENCE NOTES:

- 1) Material substrate varies by device component, US and BHMA code used represents overall finish appearance of assembled device.
- 2) SP28 and SP313 contain certain exposed parts that are molded from black plastic material or black powder coated finish.
- 3) When split finish is desired, the finish listed first is understood to be the outside finish.
- 4) See specific device pages for available finishes by device.

General Information (Specific to the Falcon 19, 24, and 25 series exit devices)

All products listed meet ANSI A156.3 Grade 1 standard.

Devices will be furnished for hollow metal doors 3'0" x 7'0" x 1-3/4" full flush, with 5/8" high frame stops unless specified otherwise.

DOOR WIDTHS

EXIT DEVICES for door widths exceeding 4'0" are custom applications. Specify the exact door width and consult factory for price and availability. For device widths on narrow stile aluminum and glass doors, consult factory.

DOOR THICKNESS

EXIT DEVICES are furnished at prices listed for door thicknesses of 1 3/4" with standard centerlines. Other door thicknesses and/or offset installations may require additional charges for the device, trim, control and/or strike. Consult factory.

DOOR HEIGHTS/DEVICE CENTERLINE

SURFACE and **CONCEALED VERTICAL ROD DEVICES** for heights over 7'0" up to 8'0", extension rods are furnished at no additional charge. For heights over 8'0" up to 10'0" extension rods are furnished at prices shown on specific device parts pages. For doors higher than 10'0" or when centerline is other than standard, specify exact height. Consult factory for price.

86 OR 161 DOOR PREPARATIONS

When devices will apply over a 86 or 161 door preparation, consult factory.

DEVICE MOUNTING SCREWS

Machine screws are furnished with Fire Exit Devices. Sheet metal screws are furnished with Panic Devices. Machine screws can be substituted at no additional charge, specify AMS.

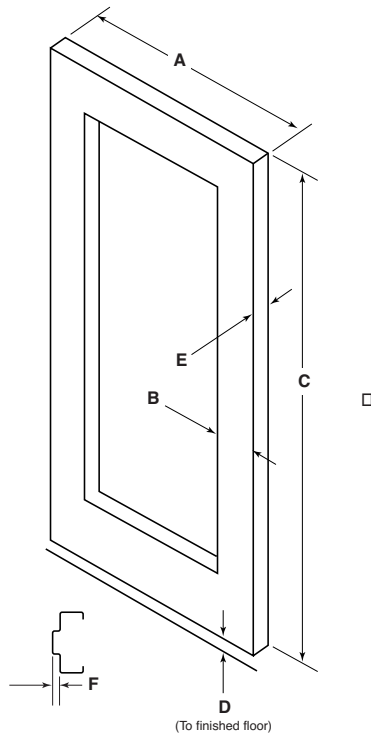
SUBSTITUTION OF OUTSIDE TRIM OR STRIKES

When other than standard is desired, deduct price of standard and add price of item used. Check catalog for compatibility. Lever trim is furnished standard Dane. Optional lever designs of Avalon, Quantum, and Sutro are available at no additional charge.

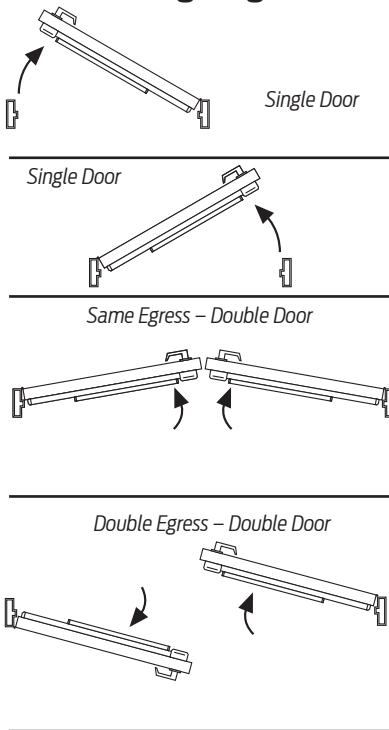
ELECTRIC ACCESSORIES

When specifying Electrical Products, consult catalog or factory to ensure all coordinating accessories have been considered. All electric devices must use respective power supply for warranty to apply.

Prices subject to change without notice



Handing Diagrams



A Door Width

Specify exact door width. This determines what size device is supplied. If door width not specified, 3' is furnished standard.

B Stile Width

Determines which series can be used because of the dimension of the active or inactive case. In conjunction with the door width, the width of the device is also affected.

C Door Height

Rod lengths and extension rod requirements for surface vertical or concealed vertical rod devices are determined by height.

D Undercut

Bottom rods and bottom latches or bolts for vertical rod applications are affected by the distance between the bottom of the door and the surface to which the strike will apply; 1/4" minimum, 3/4" maximum.

E Thickness

When trim is used with a device it is affected by thickness as is the length of fasteners and cylinders.

F Stop Height

The type of strike and affect on backsets is determined by the stop (5/8" standard)

Glass Bead

In the case of touch bar devices, series 19, 24 and 25, glazing bead or trim can interfere with the device requiring shim kits with modified trim and/or device.

Fire Labels

As a component of a fire door assembly, exit devices must meet special requirements.

Other

Factors such as transom panels, sill conditions and astragals can affect exit device selection.

Pairs

When devices will occur on paired door leaves, order them together.

Materials

Unusual door or frame materials can affect device selection such as channel iron frames, blade stop frames, hollow core doors and mineral core doors.

Conversion Table

17 Series to 24 Series

Old	New	Trim
(F)17-R	(F)24-R	No Change
(F)17-V	(F)24-V	No Change
(F)17-C	(F)24-C	No Change
(F)17-C-WDC	(F)24-C-WDC	No Change

18 Series to 25 Series

Old	New	Trim
(F)18-R	(F)25-R	See Below
(F)18-V	(F)25-V	See Below
(F)18-C	(F)25-C	See Below
(F)18-C-WDC	(F)25-C-WDC	See Below
(F)18-M	(F)25-M	See Below

18 Series to 25 Series Trim

Old	Old Trim	New	Old	Old Trim	New
812L	Lever Trim	510L	810TP	Apollo	512TP
812L-NL	Lever Trim	510L-NL	810NL	Apollo	512NL
812L-DT	Lever Trim	510L-DT	810DT	Apollo	512DT
812L-BE	Lever Trim	510L-BE	810TP-BE	Apollo	512TP-BE
816L	Vandal Resistant	511L	811K	Knob	513K
820TP	Vanguard	512TP	811K-NL	Knob	513K-NL
820NL	Vanguard	512NL	811K-DT	Knob	513K-DT
820DT	Vanguard	512DT	811K-BE	Knob	513K-BE
820TP-BE	Vanguard	512TP-BE	717DT	Delta	717DT
				Key in Lever	Discontinued

17/18 Strikes to 24/25 Strikes

Old	New	24 Series	25 Series	Comments
F490	299	X	X	Need 650106 retrofit kit for existing prep
F490	299F	X	X	Need 650106 retrofit kit for existing prep
565	1439	X	X	
F570	299	X	X	Need 650106 retrofit kit for existing prep
F570	299F	X	X	Need 650106 retrofit kit for existing prep
571	1609	X	X	
579	1606	Not recommended	X	
No Equivalent	499F	Not offered	X	
No Equivalent	264	X	X	

19 Series Trim Changes

Old	New	Trim/Control	Old	New	Trim/Control
1953DT	920DT	Trident	1910L-NL	912L-NL-Dane	Control
1955P	920NL	Trident	1920L LS/LK	912L-BE-Dane	Control
1904 PULL ONLY	917DT	Centron	1980L-DT	912L-DT-Dane	Control
2301BE	930EO	Centron	1919L	912L-Quantum	Control
2303DT	930DT	Centron	1919L-NL	912L-NL-Quantum	Control
2302C	930C	Centron	1929L LS/LK	912L-BE-Quantum	Control
2305P	930NL	Centron	1989L-DT	912L-DT-Quantum	Control
1907K	911K	Control	1912L	912L-Sutro	Control
1907K-NL	911K-NL	Control	1912L-NL	912L-NL-Sutro	Control
1927K LS/LK	911K-BE	Control	1922L-BE	912L-BE-Sutro	Control
1937K-DT	911K-DT	Control	1982L-DT	912L-DT-Sutro	Control
1911L	912L	Control	2400KIL w/IC Core	914KIL-IC	Key in Lever
1911L-NL	912L-NL	Control	2400KIL	914KIL-KD	Key in Lever
1921L LS/LK	912L-BE	Control	2401KIL LS/LK	914KIL-BE	Key in Lever
1981LDT	912L-DT	Control	2402KIL-NL	914KIL-NL-KD	Key in Lever
1910L	912L-Dane	Control			

Prices subject to change without notice

How to Order Sequence Example

MEL F 25 V L-DANE US3 3' LHR LBR SNB WD

Prefixes

AX	Accessible Device (25 and 19 Series Only)
CD	Cylinder Dogging
LD	Less Dogging
RX	Touchbar Request to Exit
DM	Latchbolt Monitor Switch - when fully extended
LM	Latchbolt Monitor Switch - when fully retracted
KOR	Key Bypass Switch
EL	Electric Latch Retraction
MEL	Motorized Electric Latch Retraction
FSA	Electric Lock or Unlock Trim-Fail Safe (25 Series Only)
FSE	Electric Lock or Unlock Trim-Fail Secure (25 Series Only)
EA	Exit Alarm

Rating

F	Fire Exit Hardware
Blank	Panic Exit Hardware

Device Series

19	Touch Bar Device, Narrow Stile
24	Touch Bar Device, Narrow Stile
25	Touch Bar Device

Device Type

R	Rim	C	Concealed Vertical rod
V	Surface Vertical Rod	C-WDC	Concealed Vertical rod Wood Door
M	Mortise		

Trim Function (see Trim pages for all functions)

EO	Exit Only	K	Knob
DT	Dummy Trim	L	Lever (Dane Standard)
NL	Night Latch	TL	Thumb Lever
C	Cylinder Trim Plate	NL-OP	Night Latch Pull by other
TP	Thumbpiece	KIL	Key in Lever

Finish

US3	US10	US15*	US26	US32	SP28	
US4	643E*	US19*	US26D	US32D	SP313	313AN

Door Width

3'	Standard Default
4'	
2' (less label)	

Door Thickness

1-3/4"	Standard
2-1/4"	Optional

Handing

RHR	Right Hand Reverse
LHR	Left Hand Reverse

Less Bottom Rod

LBR	Less Bottom Rod
LBR-AFL	LBR w/Auxiliary Fire Pin

Accessories

CYL	Cylinder	SNB	Sex Bolts	AMS	All Machine Screws
SK	Shim Kit	SLM	SLM Blocking		

Other Miscellaneous Door Information

HMD	Hollow Metal Door	SCDC	Steel Channel Door Construction	-	Door Label (20 min, 45 min, 90 min 1-1/2 hr)
HMF	Hollow Metal Frame	-	Specify other Door or Frame	-	Stile Width
WD	Wood Door	-	Material information	-	Frame Stop Height
WDF	Wood Frame	-	Door Height	SGL	Single Door
ALD	Aluminum Door	-	Door Thickness	PR	Pair of Doors Swinging Same Direction
ALF	Aluminum Frame	-	Door Undercut	DE	Double Egress Doors
CPD	Composite Door	-		CON	Allegion Connect

*643E, US15 and US19 are available on select 24 and 25 Series

Not all options are available on all series, consult customer service.

For Special Order Product Quotes: Email: vdj_specials@allegion.com Fax: 1-877-730-6248

Prices subject to change without notice

Trim - How to Order

How to Order Sequence Example

				510	L - R	US26D	LHR	SUTRO	FSE	CYL
Trim Series										
D24 Series	D25 Series	19 Series	XX Series							
711	510	911	711							
712	511	912	712							
715	512	914	717							
717	513	917	718							
718	717	918	810							
	718	920	811							
		930	812							
			815							
			816							
			820							
Trim Function (see Trim pages for all functions)										
EO	Exit Only									
DT	Dummy Trim									
NL	Night Latch									
C	Cylinder Trim Less Pull									
TP	Thumbpiece									
K	Knob									
L	Lever (Dane Standard)									
KIL	Key in Lever									
TL	Thumb Lever									
Device Type										
R	Rim									
V	Surface Vertical Rod									
M	Mortise									
C	Concealed Vertical Rod (includes WDC)									
Finish										
US3	US10	643E*	US19*	US26D	SP313					
US4	US10B	US15*	US26	SP28	US32	US32D				
Handing										
RHR	Right Hand Reverse									
LHR	Left Hand Reverse									
Lever Style										
DANE	(DAN) supplied standard if not specified			BROADWAY	(BRW)* (available on 24 and 25 Series only)					
SUTRO	(SUT)			DANISH	(DSH)* (available on 24 and 25 Series only)					
QUANTUM	(QUA)			LATITUDE	(LAT)* (available on 24 and 25 Series only)					
AVALON	(AVA) (available on 24, 25 and xx Series only)			LONGITUDE	(LON)* (available on 24 and 25 Series only)					
BOARDWALK	(BRK)* (available on 24 and 25 Series only)									
Trim Options										
FSA	Electric Lock or Unlock-Fail Safe (FSA device required)									
FSE	Electric Lock or Unlock-Fail Secure (FSE device required)									
CON	Allegion Connect									
Other Information or Accessories										
CYL	Include Cylinder with Trim									
KD	Cylinder Keyed Different									
Door Thickness										
Specify door thickness other than 1-3/4"										

*New finishes and levers are available on select 24 and 25 Series.

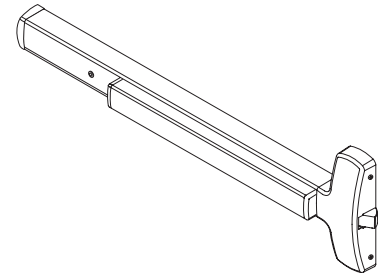
Prices subject to change without notice

Discount Policy on Von Duprin and Falcon Common Products and Parts:

- Von Duprin discount applies on products and parts, such as power supplies, power transfers, and other parts or accessories common to both brands.
- Customers not open to Von Duprin product will receive a minimum buying program with a 50% multiplier.

Prices subject to change without notice

3' Devices are priced with standard trim and strike, 4' add \$19 list.
Cylinders are not included in the price.



EXIT HARDWARE

Rim Devices

(Price includes 299 Strike)

	Trim/Control	US28	US32D	313AN	US19* US26D	US26	US32	US10	US4	US3 643E* US15*
* 25-R-EO		931	1159	987	1135	1181	1205	1181	1205	1328
* 25-R-NL-OP	(Supplied as NL less trim)	931	1159	987	1135	1181	1205	1181	1205	1328
Lever - Dane (handed and field reversible)										
* 25-R-L	510L*	1279	1569	1335	1545	1598	1622	1529	1553	1745
* 25-R-L-BE	510L-BE*	1279	1569	1335	1545	1598	1622	1529	1553	1745
* 25-R-L-NL	510L-NL*	1210	1487	1266	1463	1564	1588	1460	1484	1711
* 25-R-L-DT	510L-DT*	1210	1487	1266	1463	1564	1588	1460	1484	1711
VR Lever (handed and field reversible)										
* 25-R-L	511L*	1341	1627	1397	1603	1658	1682	1591	1615	1805
Thumbpiece (non-handed)										
25-R-TP	512TP	1242	1502	1298	1478	1583	1607	1492	1516	1730
25-R-TP-BE	512TP-BE	1242	1502	1298	1478	1583	1607	1492	1516	1730
* 25-R-NL	512-NL*	1183	1434	1239	1410	1505	1529	1433	1457	1652
Knob (non-handed)										
25-R-K	513K	1194	1466	1250	1442	1541	1565	1444	1468	1688
25-R-K-BE	513K-BE	1194	1466	1250	1442	1541	1565	1444	1468	1688
25-R-K-NL	513K-NL	1194	1466	1250	1442	1541	1565	1444	1468	1688
25-R-K-DT	513K-DT	1194	1466	1250	1442	1541	1565	1444	1468	1688
DT Pull (717 handed and field reversible, 512 non-handed)										
25-R-DT	717DT	1122	1434	1222	1410	1456	1480	1372	1396	1603
25-R-DT	512DT	1143	1373	1199	1349	1505	1529	1393	1417	1652

* These devices and 510L, 510L-BE, 510L-NL, 510L-DT, 511L, 512NL trims are available in 643E, US15, and US19 finishes.

REFERENCE NOTES:

25 Series ordered in 313AN will be supplied with trims in SP313.

Handing: 25-R Device is non-handed. Trims are furnished RHR when handing is not specified.

Sex Bolts:

Optional Sex Bolts are recommended for center case mounting when device is used with hollow core wood, composite or light gauge hollow metal doors. See chart below for quantities and list prices.

Application	Sex Bolt 425 (Optional)	List Add
Hollow core wood, composite, or light gauge hollow metal doors - EO (exit only device)	8	112
Hollow core wood, composite, or light gauge hollow metal doors - Device x Trim	4	56

Prices subject to change without notice

**3' Devices are priced with standard trim and strike, 4' add \$19 list.
Cylinders are not included in the price.**

FIRE EXIT HARDWARE**Rim Devices**

(Price includes 299F Strike)

	Trim/Control	US28	US32D	313AN	US19* US26D	US26	US32	US10	US4	US3 643E* US15*
* F-25-R-EO		1149	1377	1205	1353	1399	1423	1399	1423	1546
* F-25-R-NL-OP	(Supplied as NL less trim)	1149	1377	1205	1353	1399	1423	1399	1423	1546
Lever - Dane (handed and field reversible)										
* F-25-R-L	510L*	1497	1787	1553	1763	1816	1840	1747	1771	1963
* F-25-R-L-BE	510L-BE*	1497	1787	1553	1763	1816	1840	1747	1771	1963
* F-25-R-L-NL	510L-NL*	1428	1705	1484	1681	1782	1806	1678	1702	1929
* F-25-R-L-DT	510L-DT*	1428	1705	1484	1681	1782	1806	1678	1702	1929
VR Lever (handed and field reversible)										
* F-25-R-L	511L*	1559	1845	1615	1821	1876	1900	1809	1833	2023
Thumbpiece (non-handed)										
F-25-R-TP	512TP	1460	1720	1516	1696	1801	1825	1710	1734	1948
F-25-R-TP-BE	512TP-BE	1460	1720	1516	1696	1801	1825	1710	1734	1948
* F-25-R-NL	512-NL*	1401	1652	1457	1628	1723	1747	1651	1675	1870
Knob (non-handed)										
F-25-R-K	513K	1412	1684	1468	1660	1759	1783	1662	1686	1906
F-25-R-K-BE	513K-BE	1412	1684	1468	1660	1759	1783	1662	1686	1906
F-25-R-K-NL	513K-NL	1412	1684	1468	1660	1759	1783	1662	1686	1906
F-25-R-K-DT	513K-DT	1412	1684	1468	1660	1759	1783	1662	1686	1906
DT Pull (717 handed and field reversible, 512 non-handed)										
F-25-R-DT	717DT	1340	1652	1440	1628	1674	1698	1590	1614	1821
F-25-R-DT	512DT	1361	1591	1417	1567	1723	1747	1611	1635	1870

* These devices and 510L, 510L-BE, 510L-NL, 510L-DT, 511L, 512NL trims are available in 643E, US15, and US19 finishes.

REFERENCE NOTES:

25 Series ordered in 313AN will be supplied with trims in SP313.

Handing: F-25-R Device is non-handed. Trims are furnished RHR when handing is not specified.

Sex Bolts:

Sex Bolts are supplied for center case mounting when device is used with wood, composite or non-reinforced hollow metal doors. See chart below for quantities.

Application	Sex Bolt 425 (Supplied)
Wood, composite or non-reinforced hollow metal doors - EO (exit only device)	8
Wood, composite or non-reinforced hollow metal doors - Device x Trim	4

Prices subject to change without notice

3' Devices are priced with standard trim and strikes, 4' add \$19 list and 2' (less label) add \$123 list. Cylinders are not included in the price.

EXIT HARDWARE
Surface Vertical Rod Devices
 (Includes 3788 & 2130 Strikes)

Trim/Control	US28	US32D	313AN	US19* US26D	US26	US32	US10	US4	US3 643E* US15*
* 25-V-EO	1354	1696	1438	1652	1722	1755	1722	1755	1854
* 25-V-NL-OP (Supplied as NL less trim)	1354	1696	1438	1652	1722	1755	1722	1755	1854
Lever - Dane (handed and field reversible)									
* 25-V-L 510L*	1702	2106	1786	2062	2139	2172	2070	2103	2271
25-V-L-BE 510L-BE	1702	2106	1786	2062	2139	2172	2070	2103	2271
* 25-V-L-NL 510L-NL*	1633	2024	1717	1980	2105	2138	2001	2034	2237
* 25-V-L-DT 510L-DT*	1633	2024	1717	1980	2105	2138	2001	2034	2237
VR Lever (handed and field reversible)									
* 25-V-L 511L*	1764	2164	1848	2120	2199	2232	2132	2165	2331
Thumbpiece (non-handed)									
25-V-TP 512TP	1665	2039	1749	1995	2124	2157	2033	2066	2256
25-V-TP-BE 512TP-BE	1665	2039	1749	1995	2124	2157	2033	2066	2256
* 25-V-NL 512-NL*	1606	1971	1690	1927	2046	2079	1974	2007	2178
Knob (non-handed)									
25-V-K 513K	1617	2003	1701	1959	2082	2115	1985	2018	2214
25-V-K-BE 513K-BE	1617	2003	1701	1959	2082	2115	1985	2018	2214
25-V-K-NL 513K-NL	1617	2003	1701	1959	2082	2115	1985	2018	2214
25-V-K-DT 513K-DT	1617	2003	1701	1959	2082	2115	1985	2018	2214
DT Pull (717 handed and field reversible, 512 non-handed)									
25-V-DT 717DT	1545	1971	1673	1927	1997	2030	1913	1946	2129
25-V-DT 512DT	1566	1910	1650	1866	2046	2079	1934	1967	2178

* These devices and 510L, 510L-BE, 510L-NL, 510L-DT, 511L, 512NL trims are available in 643E, US15, and US19 finishes.

REFERENCE NOTES:

25 Series ordered in 313AN will be supplied with trims in SP313.

25-V Device ordered in US15 will be supplied with US32D Rod and Latch Cover.

Handing: The 25-V Device is handed and field reversible. Trims are furnished RHR when handing is not specified.

Extension Rods: For door heights over 7'0" up to 8'0", 12" extension rods are furnished at no additional charge at the time of device order. For door heights over 8'0" up to 10'0" extension rods are furnished at prices shown in parts section with the device at the time of order. MUST specify door height on order line.

Sex Bolts:

Optional Sex Bolts are recommended for center case and latch mounting when device is used with hollow core wood, composite or light gauge hollow metal doors. See chart below for quantities and list prices.

Application	Latches Sex Bolt 2729 (Optional)	Device Sex Bolt 425 (Optional)	List Add
Hollow core wood, composite or light gauge hollow metal doors - EO (exit only device)	6	6	150
Hollow core wood, composite or light gauge hollow metal doors - Device x Trim	6	2	94
Hollow core wood, composite or light gauge hollow metal doors - EO (exit only device) LBR	3	6	117
Hollow core wood, composite or light gauge hollow metal doors - Device x Trim LBR	3	2	61

Prices subject to change without notice

3' Devices are priced with standard trim and strikes, 4' add \$19 list and 2' (less label) add \$123 list. Cylinders are not included in the price.

FIRE EXIT HARDWARE
Surface Vertical Rod Devices
 (Includes 3788 & 2130 Strikes)

	Trim/Control	US28	US32D	313AN	US19* US26D	US26	US32	US10	US4	US3 643E* US15*
* F-25-V-EO		1556	1898	1640	1854	1924	1957	1924	1957	2056
* F-25-V-NL-OP	(Supplied as NL less trim)	1556	1898	1640	1854	1924	1957	1924	1957	2056
Lever - Dane (handed and field reversible)										
* F-25-V-L	510L*	1904	2308	1988	2264	2341	2374	2272	2305	2473
* F-25-V-L-BE	510L-BE*	1904	2308	1988	2264	2341	2374	2272	2305	2473
* F-25-V-L-NL	510L-NL*	1835	2226	1919	2182	2307	2340	2203	2236	2439
* F-25-V-L-DT	510L-DT*	1835	2226	1919	2182	2307	2340	2203	2236	2439
VR Lever (handed and field reversible)										
* F-25-V-L	511L*	1966	2366	2050	2322	2401	2434	2334	2367	2533
Thumbpiece (non-handed)										
F-25-V-TP	512TP	1867	2241	1951	2197	2326	2359	2235	2268	2458
F-25-V-TP-BE	512TP-BE	1867	2241	1951	2197	2326	2359	2235	2268	2458
* F-25-V-NL	512-NL*	1808	2173	1892	2129	2248	2281	2176	2209	2380
Knob (non-handed)										
F-25-V-K	513K	1819	2205	1903	2161	2284	2317	2187	2220	2416
F-25-V-K-BE	513K-BE	1819	2205	1903	2161	2284	2317	2187	2220	2416
F-25-V-K-NL	513K-NL	1819	2205	1903	2161	2284	2317	2187	2220	2416
F-25-V-K-DT	513K-DT	1819	2205	1903	2161	2284	2317	2187	2220	2416
DT Pull (717 handed and field reversible, 512 non-handed)										
F-25-V-DT	717DT	1747	2173	1875	2129	2199	2232	2115	2148	2331
F-25-V-DT	512DT	1768	2112	1852	2068	2248	2281	2136	2169	2380

* These devices and 510L, 510L-BE, 510L-NL, 510L-DT, 511L, 512NL trims are available in 643E, US15, and US19 finishes.

REFERENCE NOTES:

25 Series ordered in 313AN will be supplied with trims in SP313.

25-V Device ordered in US15 will be supplied with US32D Rod and Latch Cover.

Handing: The F-25-V Device is handed and field reversible. Trims are furnished RHR when handing is not specified.

Extension Rods: For door heights over 7'0" up to 8'0", 12" extension rods are furnished at no additional charge at the time of device order. For door heights over 8'0" up to 10'0" extension rods are furnished at prices shown in parts section with the device at the time of order. MUST specify door height on order line.

Sex Bolts:

Sex Bolts are supplied for center case mounting and latch mounting when device is used with wood, composite or non-reinforced hollow metal doors. See chart below for quantities.

Application	Latches Sex Bolt 2729 (Supplied)	Device Sex Bolt 425 (Supplied)
Wood, composite or non-reinforced hollow metal doors - EO (exit only device)	6	6
Wood, composite or non-reinforced hollow metal doors - Device x Trim	6	2
Wood, composite or non-reinforced hollow metal doors - EO (exit only device) LBR	3	6
Wood, composite or non-reinforced hollow metal doors - Device x Trim LBR	3	2

Prices subject to change without notice

EXITS

 Pushpads

 Architectural / Heavy Duty

 25 Series

3' Devices are priced with standard trim and strike, 4' add \$19 list.
Cylinders are not included in the price.

EXIT HARDWARE
Mortise Lock Devices
(Includes 1279 Strike)

	Trim/Control	US28	US32D	313AN	US19* US26D	US26	US32	US10	US4	US3 643E* US15*
* 25-M-EO		1231	1535	1307	1505	1567	1596	1568	1599	1690
* 25-M-NL-OP	(Supplied as NL less trim)	1231	1535	1307	1505	1567	1596	1568	1599	1690
Lever - Dane										
* 25-M-L	510L*	1579	1945	1655	1915	1984	2013	1916	1947	2107
* 25-M-L-BE	510L-BE*	1579	1945	1655	1915	1984	2013	1916	1947	2107
* 25-M-L-NL	510L-NL*	1510	1863	1586	1833	1950	1979	1847	1878	2073
* 25-M-L-DT	510L-DT*	1510	1863	1586	1833	1950	1979	1847	1878	2073
VR Lever										
* 25-M-L	511L*	1641	2003	1717	1973	2044	2073	1978	2009	2167
Thumbpiece										
25-M-TP	512TP	1542	1878	1618	1848	1969	1998	1879	1910	2092
25-M-TP-BE	512TP-BE	1542	1878	1618	1848	1969	1998	1879	1910	2092
* 25-M-NL	512-NL*	1483	1810	1559	1780	1891	1920	1820	1851	2014
Knob										
25-M-K	513K	1494	1842	1570	1812	1927	1956	1831	1862	2050
25-M-K-BE	513K-BE	1494	1842	1570	1812	1927	1956	1831	1862	2050
25-M-K-NL	513K-NL	1494	1842	1570	1812	1927	1956	1831	1862	2050
25-M-K-DT	513K-DT	1494	1842	1570	1812	1927	1956	1831	1862	2050
DT Pull										
25-M-DT	717DT	1422	1810	1542	1780	1842	1871	1759	1790	1965
25-M-DT	512DT	1443	1749	1519	1719	1891	1920	1780	1811	2014

* These devices and 510L, 510L-BE, 510L-NL, 510L-DT, 511L, 512NL trims are available in 643E, US15, and US19 finishes.

REFERENCE NOTES:

25 Series ordered in 313AN will be supplied with trims in SP313.

Handing: The 25-M Device is handed and not field reversible. Specify handing RHR or LHR.

Sex Bolts:

Optional Sex Bolts are recommended for center case and latch mounting when device is used with hollow core wood, composite or light gauge hollow metal doors. See chart below for quantities and list prices.

Application	Device Sex Bolt 425 (Optional)	List Add
Hollow core wood, composite or light gauge hollow metal doors - EO (exit only device)	6	84
Hollow core wood, composite or light gauge hollow metal doors - Device x Trim	2	28

Prices subject to change without notice

**3' Devices are priced with standard trim and strike, 4' add \$19 list.
Cylinders are not included in the price.**

FIRE EXIT HARDWARE

Mortise Lock Devices
(Includes 1279 Strike)

	Trim/Control	US28	US32D	313AN	US19* US26D	US26	US32	US10	US4	US3 643E* US15*
* F-25-M-EO		1433	1737	1509	1707	1769	1798	1770	1801	1892
* F-25-M-NL-OP	(Supplied as NL less trim)	1433	1737	1509	1707	1769	1798	1770	1801	1892
Lever - Dane										
* F-25-M-L	510L*	1781	2147	1857	2117	2186	2215	2118	2149	2309
* F-25-M-L-BE	510L-BE*	1781	2147	1857	2117	2186	2215	2118	2149	2309
* F-25-M-L-NL	510L-NL*	1712	2065	1788	2035	2152	2181	2049	2080	2275
* F-25-M-L-DT	510L-DT*	1712	2065	1788	2035	2152	2181	2049	2080	2275
VR Lever										
* F-25-M-L	511L*	1843	2205	1919	2175	2246	2275	2180	2211	2369
Thumbpiece										
F-25-M-TP	512TP	1744	2080	1820	2050	2171	2200	2081	2112	2294
F-25-M-TP-BE	512TP-BE	1744	2080	1820	2050	2171	2200	2081	2112	2294
* F-25-M-NL	512-NL*	1685	2012	1761	1982	2093	2122	2022	2053	2216
Knob										
F-25-M-K	513K	1696	2044	1772	2014	2129	2158	2033	2064	2252
F-25-M-K-BE	513K-BE	1696	2044	1772	2014	2129	2158	2033	2064	2252
F-25-M-K-NL	513K-NL	1696	2044	1772	2014	2129	2158	2033	2064	2252
F-25-M-K-DT	513K-DT	1696	2044	1772	2014	2129	2158	2033	2064	2252
DT Pull										
F-25-M-DT	717DT	1624	2012	1744	1982	2044	2073	1961	1992	2167
F-25-M-DT	512DT	1645	1951	1721	1921	2093	2122	1982	2013	2216

* These devices and 510L, 510L-BE, 510L-NL, 510L-DT, 511L, 512NL trims are available in 643E, US15, and US19 finishes.

REFERENCE NOTES:

25 Series ordered in 313AN will be supplied with trims in SP313.

Handing: The F-25-M Device is handed and not field reversible. Specify handing RHR or LHR.

Sex Bolts:

Optional Sex Bolts are supplied for center case mounting when device is used with hollow core wood, composite or light gauge hollow metal doors. See chart below for quantities.

Application	Device Sex Bolt 425 (Supplied)
Hollow core wood, composite or light gauge hollow metal doors - EO (exit only device)	6
Hollow core wood, composite or light gauge hollow metal doors - Device x Trim	2

Prices subject to change without notice

3' Devices are priced with standard trim and strikes, 4' add \$19 list and 2' (less label) add \$123 list. Cylinders are not included in the price.

EXIT HARDWARE
Concealed Vertical Rod Devices
 (Includes 4188 Strikes)

	Trim/Control	US28	US32D	313AN	US19* US26D	US26	US32	US10	US4	US3 643E* US15*
* 25-C-EO		1388	1764	1473	1696	1764	1797	1764	1797	1900
Lever - Dane (handed and field reversible)										
* 25-C-L	510L*	1736	2174	1821	2106	2181	2214	2112	2145	2317
* 25-C-L-BE	510L-BE*	1736	2174	1821	2106	2181	2214	2112	2145	2317
* 25-C-L-NL	510L-NL*	1667	2092	1752	2024	2147	2180	2043	2076	2283
* 25-C-L-DT	510L-DT*	1667	2092	1752	2024	2147	2180	2043	2076	2283
VR Lever (handed and field reversible)										
* 25-C-L	511L*	1798	2232	1883	2164	2241	2274	2174	2207	2377
Thumbpiece (non-handed)										
25-C-TP	512TP	1699	2107	1784	2039	2166	2199	2075	2108	2302
25-C-TP-BE	512TP-BE	1699	2107	1784	2039	2166	2199	2075	2108	2302
* 25-C-NL	512-NL*	1640	2039	1725	1971	2088	2121	2016	2049	2224
Knob (non-handed)										
25-C-K	513K	1651	2071	1736	2003	2124	2157	2027	2060	2260
25-C-K-BE	513K-BE	1651	2071	1736	2003	2124	2157	2027	2060	2260
25-C-K-NL	513K-NL	1651	2071	1736	2003	2124	2157	2027	2060	2260
25-C-K-DT	513K-DT	1651	2071	1736	2003	2124	2157	2027	2060	2260
DT Pull (717 handed and field reversible, 512 non-handed)										
25-C-DT	717DT	1579	2039	1708	1971	2039	2072	1955	1988	2175
25-C-DT	512DT	1600	1978	1685	1910	2088	2121	1976	2009	2224
Delta Trim (handed and field reversible)										
* 25-C-C	718C*	1537	1975	1664	1907	1975	2008	1913	1946	2111

* These devices and 510L, 510L-BE, 510L-NL, 510L-DT, 511L, 512NL trims are available in 643E, US15, and US19 finishes.

REFERENCE NOTES:

25 Series ordered in 313AN will be supplied with trims in SP313.

Handing: The 25-C Device is handed and field reversible. Trims are furnished RHR when handing is not specified.

Extension Rods: For door heights over 7'0" up to 8'0", 12" extension rods are furnished at no additional charge at the time of device order. For door heights over 8'0" up to 10'0" extension rods are furnished at prices shown in parts section with the device at the time of order. MUST specify door height on order line.

Sex Bolts:

Optional Sex Bolts are recommended for center case mounting when device is used with light gauge hollow metal doors. See chart below for quantities and list prices.

Application	Sex Bolt 425 (Optional)	List Add
Light gauge hollow metal doors - EO (exit only device)	6	84
Light gauge hollow metal doors - Device x Trim	2	28

Prices subject to change without notice

EXITS

Pushpads

Architectural /
Heavy Duty

25 Series

3' Devices are priced with standard trim and strikes, 4' add \$19 list and 2' (less label) add \$123 list. Cylinders are not included in the price.

FIRE EXIT HARDWARE
Concealed Vertical Rod Devices
 (Includes 4188 and 2130 Strikes)

	Trim/Control	US28	US32D	313AN	US19* US26D	US26	US32	US10	US4	US3 643E* US15*
* F-25-C-EO		1590	1966	1675	1898	1966	1999	1966	1999	2102
Lever - Dane (handed and field reversible)										
* F-25-C-L	510L*	1938	2376	2023	2308	2383	2416	2314	2347	2519
* F-25-C-L-BE	510L-BE*	1938	2376	2023	2308	2383	2416	2314	2347	2519
* F-25-C-L-NL	510L-NL*	1869	2294	1954	2226	2349	2382	2245	2278	2485
* F-25-C-L-DT	510L-DT*	1869	2294	1954	2226	2349	2382	2245	2278	2485
VR Lever (handed and field reversible)										
* F-25-C-L	511L*	2000	2434	2085	2366	2443	2476	2376	2409	2579
Thumbpiece (non-handed)										
F-25-C-TP	512TP	1901	2309	1986	2241	2368	2401	2277	2310	2504
F-25-C-TP-BE	512TP-BE	1901	2309	1986	2241	2368	2401	2277	2310	2504
* F-25-C-NL	512-NL*	1842	2241	1927	2173	2290	2323	2218	2251	2426
Knob (non-handed)										
F-25-C-K	513K	1853	2273	1938	2205	2326	2359	2229	2262	2462
F-25-C-K-BE	513K-BE	1853	2273	1938	2205	2326	2359	2229	2262	2462
F-25-C-K-NL	513K-NL	1853	2273	1938	2205	2326	2359	2229	2262	2462
F-25-C-K-DT	513K-DT	1853	2273	1938	2205	2326	2359	2229	2262	2462
DT Pull (717 handed and field reversible, 512 non-handed)										
F-25-C-DT	717DT	1781	2241	1910	2173	2241	2274	2157	2190	2377
F-25-C-DT	512DT	1802	2180	1887	2112	2290	2323	2178	2211	2426
Delta Trim (handed and field reversible)										
* F-25-C-C	718C*	1739	2177	1866	2109	2177	2210	2115	2148	2313

* These devices and 510L, 510L-BE, 510L-NL, 510L-DT, 511L, 512NL trims are available in 643E, US15, and US19 finishes.

REFERENCE NOTES:

25 Series ordered in 313AN will be supplied with trims in SP313.

Handing: The F-25-C Device is handed and field reversible. Trims are furnished RHR when handing is not specified.

Extension Rods: For door heights over 7'0" up to 8'0", 12" extension rods are furnished at no additional charge at the time of device order. For door heights over 8'0" up to 10'0" extension rods are furnished at prices shown in parts section with the device at the time of order. MUST specify door height on order line.

Sex Bolts:

Sex Bolts are supplied for center case mounting when device is used with non-reinforced hollow metal doors. See chart below for quantities.

Application	Sex Bolt 425 (Supplied)
Non-reinforced hollow metal doors - EO (exit only device)	6
Non-reinforced hollow metal doors - Device x Trim	2

Prices subject to change without notice

EXITS

 Pushpads

 Architectural /
 Heavy Duty

 25 Series

3' Devices are priced with standard trim and strikes, 4' add \$19 list and 2' (less label) add \$123 list. Cylinders are not included in the price.

EXIT HARDWARE

Wood Door Concealed Vertical Rod
(Includes 4188 and 2130 Strikes)

	Trim/Control	US28	US32D	313AN	US19* US26D	US26	US32	US10	US4	US3 643E* US15*
* 25-CWDC-EO		1571	1958	1669	1920	1996	2033	1996	2033	2151
Lever - Dane (handed and field reversible)										
* 25-CWDC-L	510L*	1919	2368	2017	2330	2413	2450	2344	2381	2568
* 25-CWDC-L-BE	510L-BE*	1919	2368	2017	2330	2413	2450	2344	2381	2568
* 25-CWDC-L-NL	510L-NL*	1850	2286	1948	2248	2379	2416	2275	2312	2534
* 25-CWDC-L-DT	510L-DT*	1850	2286	1948	2248	2379	2416	2275	2312	2534
VR Lever (handed and field reversible)										
* 25-CWDC-L	511L*	1981	2426	2079	2388	2473	2510	2406	2443	2628
Thumbpiece (non-handed)										
25-CWDC-TP	512TP	1882	2301	1980	2263	2398	2435	2307	2344	2553
25-CWDC-TP-BE	512TP-BE	1882	2301	1980	2263	2398	2435	2307	2344	2553
* 25-CWDC-NL	512-NL*	1823	2233	1921	2195	2320	2357	2248	2285	2475
Knob (non-handed)										
25-CWDC-K	513K	1834	2265	1932	2227	2356	2393	2259	2296	2511
25-CWDC-K-BE	513K-BE	1834	2265	1932	2227	2356	2393	2259	2296	2511
25-CWDC-K-NL	513K-NL	1834	2265	1932	2227	2356	2393	2259	2296	2511
25-CWDC-K-DT	513K-DT	1834	2265	1932	2227	2356	2393	2259	2296	2511
DT Pull (717 handed and field reversible, 512 non-handed)										
25-CWDC-DT	717DT	1762	2233	1904	2195	2271	2308	2187	2224	2426
25-CWDC-DT	512DT	1783	2172	1881	2134	2320	2357	2208	2245	2475
Delta Trim (handed and field reversible)										
* 25-CWDC-C	718C*	1720	2169	1860	2131	2207	2244	2145	2182	2362

* These devices and 510L, 510L-BE, 510L-NL, 510L-DT, 511L, 512NL trims are available in 643E, US15, and US19 finishes.

REFERENCE NOTES:

25 Series ordered in 313AN will be supplied with trims in SP313.

Handing: The 25-CWDC Device is handed and field reversible. Trims are furnished RHR when handing is not specified.

Extension Rods: For door heights over 7'0" up to 8'0", 12" extension rods are furnished at no additional charge at the time of device order. For door heights over 8'0" up to 10'0" extension rods are furnished at prices shown in parts section with the device at the time of order. MUST specify door height on order line.

Sex Bolts:

Optional Sex Bolts are recommended for center case mounting when device is used with hollow core wood or composite doors. See chart below for quantities and list prices.

Application	Device Sex Bolt 425 (Optional)	List Add
Hollow core wood or composite doors - EO (exit only device)	6	84
Hollow core wood or composite doors - Device x Trim	2	28

Prices subject to change without notice

EXITS

Pushpads

Architectural /
Heavy Duty

25 Series

3' Devices are priced with standard trim and strikes, 4' add \$19 list and 2' (less label) add \$123 list. Cylinders are not included in the price.

FIRE EXIT HARDWARE
Wood Door Concealed Vertical Rod
 (Includes 4188 and 2130 Strikes)

	Trim/Control	US28	US32D	313AN	US19* US26D	US26	US32	US10	US4	US3 643E* US15*
* F-25-CWDC-EO		1773	2160	1871	2122	2198	2235	2198	2235	2353
Lever - Dane										
* F-25-CWDC-L	510L*	2121	2570	2219	2532	2615	2652	2546	2583	2770
* F-25-CWDC-L-BE	510L-BE*	2121	2570	2219	2532	2615	2652	2546	2583	2770
* F-25-CWDC-L-NL	510L-NL*	2052	2488	2150	2450	2581	2618	2477	2514	2736
* F-25-CWDC-L-DT	510L-DT*	2052	2488	2150	2450	2581	2618	2477	2514	2736
VR Lever										
* F-25-CWDC-L	511L*	2183	2628	2281	2590	2675	2712	2608	2645	2830
Thumbpiece										
F-25-CWDC-TP	512TP	2084	2503	2182	2465	2600	2637	2509	2546	2755
F-25-CWDC-TP-BE	512TP-BE	2084	2503	2182	2465	2600	2637	2509	2546	2755
* F-25-CWDC-NL	512-NL*	2025	2435	2123	2397	2522	2559	2450	2487	2677
Knob										
F-25-CWDC-K	513K	2036	2467	2134	2429	2558	2595	2461	2498	2713
F-25-CWDC-K-BE	513K-BE	2036	2467	2134	2429	2558	2595	2461	2498	2713
F-25-CWDC-K-NL	513K-NL	2036	2467	2134	2429	2558	2595	2461	2498	2713
F-25-CWDC-K-DT	513K-DT	2036	2467	2134	2429	2558	2595	2461	2498	2713
DT Pull										
F-25-CWDC-DT	717DT	1964	2435	2106	2397	2473	2510	2389	2426	2628
F-25-CWDC-DT	512DT	1985	2374	2083	2336	2522	2559	2410	2447	2677
Delta Trim (handed and field reversible)										
* F-25-CWDC-C	718C*	1922	2371	2062	2333	2409	2446	2347	2384	2564

* These devices and 510L, 510L-BE, 510L-NL, 510L-DT, 511L, 512NL trims are available in 643E, US15, and US19 finishes.

REFERENCE NOTES:

Consult wood door manufacturer for listing compatibility.

25 Series ordered in 313AN will be supplied with trims in SP313.

Extension Rods: For door heights over 7'0" up to 8'0", 12" extension rods are furnished at no additional charge at the time of device order.

For door heights over 8'0" up to 10'0" extension rods are furnished at prices shown in parts section with the device at the time of order.

MUST specify door height on order line.

Handing: The F-25-CWDC Device is handed and field reversible. Trims are furnished RHR when handing is not specified.

Sex Bolts:

Sex Bolts are supplied for center case mounting when device is used with hollow core or composite doors. See chart below for quantities.

Application	Device Sex Bolt 425 (Supplied)
Hollow core or composite doors - EO (Exit only device)	6
Hollow core or composite doors - Device x Trim	2

Prices subject to change without notice

EXITS

 Pushpads

 Architectural /
 Heavy Duty

 25 Series

Cylinder Dogging

Not for use with Fire Exit Hardware

Prefix		List Add
CD	Cylinder Dogging available on all 25 series Panic Devices.	67
LD	Less Dogging available on all 25 series Panic Devices.	N/C

Less Bottom Rod

Suffix		List Add
LBR	Less Bottom Rod available with UL Fire Label at no additional charge on F-25-V and F-25-C devices. Fire rated LBR devices must be ordered in pairs of Vertical Rod Devices. For Fire Rated Devices specify one device LBR and second device LBR-AFL. Second device provided with a Fire Pin.	N/C

Accessible Device

Suffix		List Add
AX	Accessible device compliant with the California Building Code (Section 11B-309.4) requirement for 5 lb. maximum operational force. Available on 3' and 4' AX-25-R, AX-F-25-R, AX-25-V, AX-F-25-V, AX-25-V-LBR, AX-F-25-V-LBR/LBR-AFL, AX-25-C, AX-F-25-C, AX-25-C-LBR, AX-F-25-C-LBR/LBR-AFL. Trim functions available EO, DT, NL, L, L-BE, L-NL, L-DT, NL-OP, and C. Other device and trim options compatible with AX25 devices: EL, RX, DM, LM, CON, EA, FSA/FSE, CD, LD.	26

Hurricane Device

Meets all FBC Hurricane Listings. Consult factory for specific Applications.

Prefix		List Add
HH	Hurricane option available on 25-R*, F-25-R, 25-V, F-25-V. Prefix device "HH". Note: HH-25-V-EO and HH-F-25-V-EO, will be supplied with twelve sexbolts. Add \$150.00 LIST. Other device functions will be supplied with eight sexbolts. Add \$94.00 LIST. *HH-25-R requires 299F Strike; Strike 299F will be provided/charged in place of Strike 299. Standard Devices 25-C, F-25-C, 25-M, F-25-M meet all FBC Hurricane listing requirements. Consult factory for specific applications. Prefix "HH" is not required on these devices.	30 N/C

Electric Latch Retraction

Prefix		List Add
EL	Electric Latch Retraction - Available on all 25 series Panic and Fire Devices Electric Latch cannot be used in combination with CD, EA or KOR options.	821
MEL	Motorized Electric Latch Retraction - Available on all 25 series Panic and Fire Devices except for 25-M and F-25-M. Motorized Electric Latch Retraction cannot be used in combination with AX, HD, CD, EA, or KOR options	754

REFERENCE NOTE:
PS914 is required for EL operation. See Power Supply section for more detail.

Device Monitoring

Prefix		List Add
RX	Touch Bar Request to Exit Switch available on all 25 series devices. RX dogging monitoring switch can be used in combination with a second DM or LM switch.	215
DM	Latch Bolt Monitor Switch (provide signal when latch bolt is fully extended) DM device monitoring switch can be used in combination with a RX switch.	225
LM	Latch Bolt Monitoring Switch (provide signal when latch bolt is fully retracted) LM device monitoring switch can be used in combination with a RX switch.	215
KOR	Key Override - Override device monitoring on a door by use of a keyed cylinder. KOR must be used in combination with a device monitoring switch.	60

Allegion Connect

Suffix		List Add
CON	Cross-category solution using common interconnect components for electrified options. Available with MEL, MEL-RX, EL, RX, EA, EL-RX, options.	N/C

NOTE: For wire harness options refer to Power Supply and Electronic Component Section.

Prices subject to change without notice

EXITS

Pushpads

Architectural / Heavy Duty

25 Series

Exit Alarm

Prefix		List Add
EA	Exit Alarm available on 25R, 25V, 25C, 25C-WDC, and 25M Panic and Fire Devices. Price includes switch - "RX" is standard, "LM" is optional at no charge. To order "Less Switch", Deduct \$215 list. For vertical rod tampering monitoring on Surface Vertical Devices, specify device with DM (Latch Bolt Monitor Switch). Add \$225 list. 9 volt battery included.	533

Electric Lock or Unlock of Trims

Prefix		List Add
FSA	Electric Lock/Unlock Trim, Fail Safe (unlocks when power is interrupted).	315
FSE	Electric Lock/Unlock Trim, Fail Secure (locks when power is interrupted).	315

REFERENCE NOTES:

FSA/FSE available on all 25 series devices.

Available with TP, K, or L functions only.

Can be used in combination with EL, EA, or any device monitoring switch.

Power supply PS902 is the recommended power supply for use with FSA/FSE trim. If paired with an EL device, PS914 is required.

See the power supply section for more information.

Schlage Electronic Exit Trim

AD series Electronic Exit Trim is available on Series 25 for rim. AD-300/400 network trim is available exclusively with Series 25 devices when mounted with LC-RX switch must be specified with exit device.

Four communication options:

AD-200 993 Offline, access rights stored on lock.

AD-250 993 Offline, access rights on stored magnetic stripe credential.

AD-300 993 Networked Hardware Locks.

AD-400 993 Networked Wireless Locks

For complete pricing information refer to Schlage Electronic Security Price Book

Prices subject to change without notice

Cylinders are not included in price.

Lever Trim

Model No.	Lever Style	Device Type	Description	SP28 US4	SP313 US10	US32D US19* US26D	US3 US15* US26 US32	643E* US32
510L	Dane	R,V,M,C	Lever, Key Locks or Unlocks		348	410		417
510L-NL	Dane	R,V,M,C	Lever, Night Latch		279	328		383
510L-DT	Dane	R,V,M,C	Lever, Dummy Trim		279	328		383
510L-BE	Dane	R,V,M,C	Lever, Blank Escutcheon		348	410		417

* 643E, US15, US19 are available on the lever trim type listed above except Sutro.

510 series trim are handed and field reversible. Trims are furnished RHR when handing is not specified.

The Dane Lever is furnished standard. Optional lever designs Broadway, Boardwalk, Danish, Latitude, Longitude, Sutro, Quantum and Avalon are available at no additional charge.

Electric Lock or Unlock option is available on 510L function only.

Suffix FSA for Fail Safe operation, or FSE for Fail Secure operation, add \$315 List.

Knurling on Dane lever, add \$68 List. Contact factory for lead times.

Vandal Resistant Trim

Model No.	Lever Style	Device Type	Description	SP28 US4	SP313 US10	US32D US19* US26D	US3 US15* US26 US32	643E* US32
511L*	Dane	R,V,M,C	Lever, Key Locks or Unlocks		410	468		477

* 643E, US15, US19 are available on the lever trim type listed above except Sutro.

511 series trim are handed and field reversible. Trims are furnished RHR when handing is not specified.

The Dane Lever is furnished standard. Optional lever designs Broadway, Boardwalk, Danish, Latitude, Longitude, Sutro, Quantum and Avalon are available at no additional charge.

Electric Lock or Unlock option is available on 511L.

Suffix FSA for Fail Safe operation, or FSE for Fail Secure operation, add \$315 List.

Night Latch and Thumbpiece Trim

Model No.	Device Type	Description	SP28 US4	SP313 US10	US32D US19* US26D	US3 US15* US26 US32
512NL*	R,V,M,C	Night Latch		252	275	324
512TP	R,V,M,C	Thumbpiece, Key Locks or Unlocks		311	343	402
512TP-BE	R,V,M,C	Thumbpiece, Blank Escutcheon		311	343	402

* Available in 643E, US15, US19 on all Falcon Exit levers except for Sutro.

Electric Lock or Unlock option is available on 512TP function only.

Suffix FSA for Fail Safe operation, or FSE for Fail Secure operation, add \$315 List.

Knob Trim

Model No.	Device Type	Description	SP28 US4	SP313 US10	US32D US26D	US3 US26 US32
513K	R,V,M,C	Knob, Key Locks or Unlocks		263	307	360
513K-NL	R,V,M,C	Knob, Night Latch		263	307	360
513K-DT	R,V,M,C	Knob, Dummy Trim		263	307	360
513K-BE	R,V,M,C	Knob, Blank Escutcheon		263	307	360

Electric Lock or Unlock option is available on 513K function only.

Suffix FSA for Fail Safe operation, or FSE for Fail Secure operation, add \$315 List.

Pull Trim

Model No.	Device Type	Description	SP28 US4	SP313 US10	US32D US26D	US3 US26 US32
512DT	R,V,M,C	Dummy Trim		212	214	324

Delta Trim

Model No.	Device Type	Description	SP28 US10	US4 SP313	US19* US26D US3, 643E* US15 US26
717DT	R,V,M,C	Dummy Trim	191	235	275
718C*	C	Night Latch Less Pull	149	191	211

* Available in 643E and US19.

717 and 718 series trim are handed and field reversible. Trims are furnished RHR when handing is not specified.

Prices subject to change without notice

EXITS

Pushpads

Architectural / Heavy Duty

25 Series

Rim Strikes

Model	Description	Unfinished	US19	US26D	US32D	US4	US10	US10B	SP313	US3	US26	US32
264	24/25-R Panic Devices - Opt.	–	108	126	–	–	–	–	–	–	–	–
299	24/25-R Panic Devices - Std.	–	66	78	–	78	–	–	78	102	102	–
299F	24/25-R Fire Devices - Std.	–	82	–	109	128	128	128	–	147	–	147
499F	25-R Fire Devices - Opt.	–	194	–	204	–	–	–	–	–	–	–
1439	24/25-R Panic Devices - Opt.	–	157	–	–	–	–	–	–	–	–	–
1606	24/25-R Panic Devices - Opt.	78	–	–	–	–	–	–	–	–	–	–
1609	25-R Panic Devices - Opt.	–	108	121	–	121	121	121	–	131	131	–

Must be used with a Coordinator. Not a UL fire exit hardware listed application.

Vertical Rod Top Strikes

Model	Description	Unfinished
3788*	19/24/25/XX-V Panic and Fire Devices	56
4188	24/25/XX-C,CWDC Panic and Fire Devices	56

* For Flush Transom applications, Specify part number 4215-019 Angle Bracket, **add \$57 List.**

Vertical Rod Bottom Strikes

Model	Description	Unfinished
2130	19-V/24/25/XX-V,C Panic or Fire - Std.	56
4155	19-V/24/25/XX-V,C Panic	56

Mortise Lock Strikes

Model	Description	Unfinished
1279	25/XX-M Panic and Fire Devices - Std.	56
F1280	25-M Fire Devices - Opt.	56

REFERENCE NOTES:

Refer to device catalogs for specific door application strike requirements.

Prices subject to change without notice

Cover Plates & Filler Plates

Model No.	Description	Unfinished
3722	Strike cover - ASA 4-7/8"	13
3723	Mortise front - 8" x 1-1/4"	13
3721	Lock front - 2-1/4" x 1-1/8"	13

Cylinders

Model No.	Description	US26D	US3, US4, US10B US10, US32, US32D
985	1-1/8" Mortise Cylinder with Straight Cam (#24)	66	68
986	1-1/4" Mortise Cylinder with Straight Cam (#24)	66	68
951	Rim Cylinder	66	68
C987	1-3/8" Interchangeable Core Mortise Cylinder Housing	41	43
C953	Interchangeable Core Rim Cylinder Housing	43	45

REFERENCE NOTES:

Interchangeable Core Cylinder Housing uses #5 cam.
 Custom Keying not available. Falcon G - default keyway.
 Cylinder type determined by trim function.
 IC Cylinder Housings sold LESS SFIC
 US11 finish = 643e

Cylinder Dogging Kits

Model No.	Description	Part No.	US3, US4, US10, US26, US26D, US28, US32D, 313AN
25CDK-3	25 Series - 3" device	650159	67
25CDK-4	25 Series - 4" device	650160	67

REFERENCE NOTES:

Cylinder Sold Separately.
 When a device is ordered "with CD with Cylinder" a 1-1/4" mortise cylinder (986 Falcon G x straight cam KD) is supplied for CD.
 CD Kits can also pair with a 1-1/8" mortise cylinder (985 Falcon G x straight cam KD). Must be ordered separately.

EXITS

Pushpads

Architectural /
Heavy Duty

25 Series

Prices subject to change without notice

Dummy Touch Bars

3' Device pricing below, 4' add \$19 list.

Model No.	Description	SP28 SP313	US4 US10	US32D	US3, US32, US15, US19, 643e, US26 US26D
250DT	24/25 Series Dummy Touch Bar	355	393	447	510
Optional Features:					
Prefix					List Add
RX	Touchbar Request to Exit Switch - For D250 only				215
KOR	Key Override device monitoring on a door by use of a keyed cylinder - For D250 only				60

250DT Parts

Part No.	Description	SP28,SP313, US32D	US4, US10	US26, US32	US26D	US3
600291	250 Front Cover Plate Pkg	25	35	98	31	50

Extension Rods

Part No.	Description	All Finishes
650006	24/25/19/XX-V Extension Rod 12" (ER12-V)	23
650007	24/25/19/XX-V Extension Rod 24" (ER24-V)	40
650008	24/25/19/XX-V Extension Rod 36" (ER36-V)	64
650017	24/25/XX-C, CWDC Extension Rod 12" (ER12-C)	23
650018	24/25/XX-C, CWDC Extension Rod 24" (ER24-C)	40
650019	24/25/XX-C, CWDC Extension Rod 36" (ER36-C)	64

REFERENCE NOTES:

- 1) Surface Vertical and Concealed Vertical Rod Devices for door heights over 7'0" up to 8'0", 12" extension rods are furnished at no additional charge at the time of device order. Must specify door height on order line.
- 2) For door heights over 8'0" up to 10'0" extension rods are furnished at prices shown above with the device at the time of order. MUST specify door height on order line.
- 3) Replacement extension rods can be ordered individually by the part numbers listed above.

Electric and Alarm Kits

Model No.	Description	Part #	Part Number w/ Allegion Connect (-CON)	US3, US4, US10, US19, US26 US26D, US28, US32D, 313AN
25-EAK-3	25 Series Exit Alarm Kit 3'	650167	650706	533
25-EAK-4	25 Series Exit Alarm Kit 4'	650168	650707	533

Model No.	Description	Part #	US3, US4, US10, US19, US26, US26D, US32D, SP28, SP313
ELK-3	24/25 Electric Latch Retraction Kit 3'	650147	821
ELK-4	24/25 Electric Latch Retraction Kit 4'	650148	821

Model No.	Description	Part #	Part Number w/ Allegion Connect (-CON)	US3, US4, US10, US26, US26D, US28, US32D, SP313
25-MELK-3	25 Motorized Electric Latch Retraction Kit 3'	47266630	47270546	777
25-MELK-4	25 Motorized Electric Latch Retraction Kit 4'	47266631	47270547	777

NOTE: MEL kit cannot be used to convert an EL device.

Model No.	Description	Part #	Unfinished
24/25 RX KIT	24/25 Series RX Switch Kit	650359	265

Prices subject to change without notice

Shim Kits

Model No.	Description	Part #	Unfinished	US19
SK25-R/M	25 Rim or 25 Mortise Shim Kit - 1/4"	650107	–	71
SK25-V-8	25 Surface Vertical Shim Kit - 1/4" - over 7' up to 8' doors	650108	–	71
SK25-V-10	25 Surface Vertical Shim Kit - 1/4" - over 8' up to 10' doors	650266	–	71
579	Retrofit Shim Kit - HH-25-R, HH-F25-R (Required)	650106	30	–

REFERENCE NOTES:

All shim kits for use on door thicknesses up to 2". Consult factory for door thickness over 2"

25 SLM Blocking

For use with devices on doors with special high density blocking material. Blocking material must be UL or Warnock Hersey approved.

Model No.	Description	Part #	US19
F-25-R/C	F-25 Rim/Concealed Vertical SLM Blocking Kit	600335	20
F-25-V	F-25 Surface Vertical SLM Blocking Kit	600336	22

8500 Mortise Lock

Model No.	Description	US4 US10	US19	US10B	US3, US26 US26D
8500NL	Night Latch (Universal for all 25 Device Mortise Lock Trim Options)	344	430	430	430

REFERENCE NOTES:

US32D and US32 finish device supplied with US26D and US26 mortise lock.
Mortise Device is handed. For replacement of Mortise Lock only, handing is field reversible. Lock is furnished RHR when handing is not specified.
See Trim section for FSA/FSE options compatible with 8500NL, ordered as Trim option.

8500 Mortise Locks - Parts

Part No.	Description	Unfinished
3518	Dead Lock Arm Spring	10
3530	Auxiliary Bolt Actuator	38
661473	Auxiliary Bolt Spring	10
661472	Deadlocking Arm	38
3542	Cylinder Operating Arm	38

Prices subject to change without notice

(F) 25 Exit Devices

Part No.	Description	Unfinished	US28	US32D	313AN	US26D	US10, US26 US32	US4	US3	US19
650239	25-R Center Case Kit	187	-	-	-	-	-	-	-	-
650240	F-25-R Center Case Kit	202	-	-	-	-	-	-	-	-
650242	(F) 25-V Center Case Kit	158	-	-	-	-	-	-	-	-
650244	(F) 25-C, CWDC Center Case Kit	145	-	-	-	-	-	-	-	-
650246	(F) 25-M Center Case Kit RHR	158	-	-	-	-	-	-	-	-
650398	(F) 25-M Center Case Kit LHR	158	-	-	-	-	-	-	-	-
650255	(F) 25-R Center Case Cover Kit	-	132	166	141	163	170	174	180	163
650257	(F) 25-V Center Case Cover Kit	-	132	166	141	163	170	174	180	163
650259	(F) 25-C, M Center Case Cover Kit	-	132	166	141	163	170	174	180	163
600307	25 Series Center Case Cover Mtg Pkg	-	-	-	12	-	12	12	12	-
650261	25-V/M/C Center Case Housing Kit	21	-	-	-	-	-	-	-	-
600308	25-V/M/C Center Case Housing Screw Pkg	11	-	-	-	-	-	-	-	-
650262	25-V Center Case Finger Kit	38	-	-	-	-	-	-	-	-
650263	25-C Center Case Finger Kit	29	-	-	-	-	-	-	-	-
600309	25-V/C Center Case Finger Screw Pkg	11	-	-	-	-	-	-	-	-
650378	25-M Center Case Slide Bar Assy RHR	80	-	-	-	-	-	-	-	-
650377	25-M Center Case Slide Bar Assy LHR	80	-	-	-	-	-	-	-	-
661412	25 Series Channel 3' Door	-	84	105	90	103	107	108	114	-
661413	25 Series Channel 4' Door	-	108	138	112	131	139	141	146	-
650227	F-25 Series Channel Cover 3'	-	41	41	41	41	41	41	41	-
650228	F-25 series Channel Cover 4'	-	44	44	44	44	44	44	44	-
650119	25 Series CD Channel Cover 3'	-	51	51	51	51	51	51	51	-
650120	25 Series CD Channel Cover 4'	-	59	59	59	59	59	59	59	-
650135	25 Series EA Channel Cover 3'	-	78	78	78	78	78	78	78	-
650136	25 Series EA Channel Cover 4'	-	88	88	88	88	88	88	88	-
650143	25 Series KOR Channel Cover 3'	-	66	66	66	66	66	66	66	-
650144	25 Series KOR Channel Cover 4'	-	70	70	70	70	70	70	70	-
650191	25 Series Hex Dogging Kit 3'	-	69	69	69	69	69	69	69	-
650192	25 Series Hex Dogging Kit 4'	-	73	73	73	73	73	73	73	-
610480	25 Dogging Housing	20	-	-	-	-	-	-	-	-
060109	25 Hex Dogging Key 7/32" (Pkg of 10)	15	-	-	-	-	-	-	-	-
650294	25 Channel End Cap Kit 1-3/4" Door	-	33	-	37	40	42	42	44	-
650348	25 Channel End Cap Kit 2-1/4" Door	-	33	41	37	40	42	42	44	-
600305	25 Series Channel Screw (Pkg of 10)	17	-	-	-	-	-	-	-	-
600310	25 Series Push Bar End Cap Kit	-	37	43	38	42	43	44	48	-
600319	25 Series Push Bar Guide Pkg	12	-	-	-	-	-	-	-	-
650345	(F) 25-R/M Mounting Pkg 1-3/4" Door	23	-	-	-	-	-	-	-	-
650293	(F) 25-R/M Mounting Pkg 2-1/4" Door	23	-	-	-	-	-	-	-	-
650315	25-V Mounting Pkg 1-3/4" - 2-1/4" Door	44	-	-	-	-	-	-	-	-
650316	F-25-V Mounting Pkg 1-3/4" Door	44	-	-	-	-	-	-	-	-
650295	F-25-V Mounting Pkg 2-1/4" Door	44	-	-	-	-	-	-	-	-
650318	25-C Mounting Pkg 1-3/4" Door	32	-	-	-	-	-	-	-	-
650300	25-C Mounting Pkg 2-1/4" Door	32	-	-	-	-	-	-	-	-
650317	F-25-C Mounting Pkg 1-3/4" Door	32	-	-	-	-	-	-	-	-
650346	F-25-C Mounting Pkg 2-1/4" Door	32	-	-	-	-	-	-	-	-
650299	(F) 25-CWDC Mounting Pkg 1-3/4" Door	-	-	66	66	-	66	66	66	-
650296	(F) 25-CWDC Mounting Pkg 2-1/4" Door	-	-	66	66	-	66	66	66	-
060111	Cotter Key 1/8" x 1" (Pkg of 10)	15	-	-	-	-	-	-	-	-
600320	EL Solenoid Pkg	193	-	-	-	-	-	-	-	-
600321	EL Plunger Solenoid Pkg	73	-	-	-	-	-	-	-	-
650359	24/25 Series RX Switch Kit	265	-	-	-	-	-	-	-	-
050534	EL Potted Circuit Breaker	327	-	-	-	-	-	-	-	-
650265	Exit Alarm Label - Service	14	-	-	-	-	-	-	-	-
106182	EAK CON Adapter Harness	11	-	-	-	-	-	-	-	-
650713	LM SWITCH REPLACEMENT KIT	222	-	-	-	-	-	-	-	-
650712	LM CON SWITCH REPLACEMENT KIT	233	-	-	-	-	-	-	-	-
650715	DM SWITCH REPLACEMENT KIT	233	-	-	-	-	-	-	-	-
650714	DM CON SWITCH REPLACEMENT KIT	243	-	-	-	-	-	-	-	-
114320	MEL motor cable	13	-	-	-	-	-	-	-	-
47269206	MEL motor cable with 6' cable	62	-	-	-	-	-	-	-	-
106198	MEL/EL CON Adapter Harness	13	-	-	-	-	-	-	-	-
040069	MEL Motor Cable with MEL CON Adapter Harness	64	-	-	-	-	-	-	-	-
47270298	25 Series 3' MEL channel cover plate	-	104	104	104	104	104	104	104	104
47270299	25 Series 4' MEL channel cover plate	-	109	109	109	109	109	109	109	109
47266852	MEL motor mounting screws, pkg. of 2	21	-	-	-	-	-	-	-	-

Prices subject to change without notice

EXITS

 Pushpads

 Architectural / Heavy Duty

 25 Series

(F) 25 Exit Devices - Latches and Rods

Part No.	Description	Unfinished	SP28	SP313 US32D	US19	US26D	US32 US26	US3 US4 US10
650389	25-V Top Latch Case	126	-	-	-	-	-	-
650375	F-25-V Top Latch Case	130	-	-	-	-	-	-
650202	25-V Latch Case Cover Kit	-	73	73	95	95	95	95
650336	25-V Latch Case Cover Mounting Pkg	-	10	10	-	10	10	10
650311	25-V Rod Guide Kit	-	56	59	95	-	71	52
650387	25-V Bottom Bolt Guide (Latch cover sold separately)	11	-	-	-	-	-	-
3777	25-V Top Rod Kit	-	95	95	95	-	95	95
610055	25-V Bottom Rod Kit	-	128	128	-	-	128	128
5494	F-25-V Auxiliary Fire Pin Kit (LBR application only)	162	-	-	-	-	-	-
603	25-C, C-WDC Top Latch Case	216	-	-	-	-	-	-
F603	F-25-C Top Latch Case	300	-	-	-	-	-	-
WF603	F-25-CWDC Top Latch Case	300	-	-	-	-	-	-
650339	(F) 25-C, CWDC Top Latch Release Kit	-	-	42	-	42	37	37
4567	25-C Bottom Bolt Guide	51	-	-	-	-	-	-
4835	25-CWDC Bottom Bolt Guide	47	-	-	-	-	-	-
4694	F-25-CWDC Latch Bracket	11	-	-	-	-	-	-
650376	(F) 25-C, CWDC Center Slide Assy	301	-	-	-	-	-	-
4832	(F) 25-CWDC Center Slide Reinforcement Plate	38	-	-	-	-	-	-
4833	24-CWDC Reinforcement Plate	-	34	34	-	-	46	46
4834	24-CWDC Reinforcement Plate w/ Access Hole	-	34	34	-	-	46	46
610061	(F) 25-C, CWDC Top Rod Kit	95	-	-	-	-	-	-
610057	(F) 25-C, CWDC Bottom Rod Kit	128	-	-	-	-	-	-
5494	F-25-C Auxiliary Fire Pin Kit (LBR application only)	162	-	-	-	-	-	-
660002	#10 x 1 1/4" FPHSMS Clear Zinc	10	-	-	-	-	-	-

EXITS

Pushpads

Architectural / Heavy Duty

25 Series

Prices subject to change without notice

25 Series Trim

Part No.	Description	Unfinished	SP28	SP313	US26D US32D	US10 US26	US4 US32	US3
600272	510 Backplate Assembly	30	-	-	-	-	-	-
600273	510/512/513 Slider	79	-	-	-	-	-	-
600282	511L Slider Assy	186	-	-	-	-	-	-
090041	Hook Spring Pkg	12	-	-	-	-	-	-
600274	510/511L Spring (Pkg of 2)	23	-	-	-	-	-	-
600284	512TP/513K Spring (Pkg of 2)	12	-	-	-	-	-	-
600275	510L/512TP/513K Locking Hook	30	-	-	-	-	-	-
600281	510L-NL/512NL/513K-NL Cam	32	-	-	-	-	-	-
600276	L/K Spindle Cam Kit	32	-	-	-	-	-	-
600280	L-NL/L-DT Spindle Cam Kit	34	-	-	-	-	-	-
600277	510/511/513 Spindle Cam Retaining Ring (Pkg of 10)	11	-	-	-	-	-	-
650267	510L/513K Shear Pin (Pkg of 10)	26	-	-	-	-	-	-
600283	511L Shear Pin (Pkg of 5)	11	-	-	-	-	-	-
600278	500 Series Cylinder Lock Nut	12	-	-	-	-	-	-
600279	500 Series Cylinder Nut Tool	22	-	-	-	-	-	-
600296	500 Series Security Collar	-	26	26	32	32	32	33
600289	Lower Pull Bracket Kit 1.3/4"	-	17	14	17	17	17	22
600290	Lower Pull Bracket Kit 2.1/4"	-	17	14	17	17	17	22
600285	512TP Thumbpiece	-	37	38	44	47	47	51
600286	512TP Thumbpiece Pivot Pin	10	-	-	-	-	-	-
600287	512TP Thumbpiece Bracket	14	-	-	-	-	-	-
600297	512TP Pull	-	147	157	185	187	192	202
600298	513K Knob Assy	-	146	649	181	186	190	201
600299	510L Dane Lever Kit	-	108	113	138	140	142	148
600300	510L Sutro Lever Kit	-	108	113	138	140	142	148
600301	510L Quantum Lever Kit	-	108	113	138	140	142	148
600337	510 Avalon Lever Kit	-	174	176	176	240	176	240
600288	Pull Grip Screw (Pkg of 10)	10	-	-	-	-	-	-
650231	512 Mounting Pkg 1-3/4"	-	-	10	10	-	10	-
650232	512 Mounting Pkg 2-1/4"	-	-	10	10	-	10	-
650235	510/511/512/513 Screw Pkg 1-3/4"	10	-	-	-	-	-	-
650237	510/511/512/513 Screw Pkg 2-1/4"	10	-	-	-	-	-	-
600293	FSA/FSE Solenoid Kit	155	-	-	-	-	-	-
600294	FSA/FSE Solenoid Plunger	23	-	-	-	-	-	-
600295	FSA/FSE Pivot Pin	10	-	-	-	-	-	-
650278	FSA/FSE Solenoid Spring	10	-	-	-	-	-	-

EXITS

Pushpads

Architectural /
Heavy Duty

25 Series

Prices subject to change without notice

Part No.	Description	List Price
650277	24/25 Maintenance Kit (See below for what is supplied in Kit)	1,935.00

Refill Parts/Packages

Part No.	Description	Refill List Price Each	Kit Contents Qty
299 Strike	299 Strike US19	66.00	5
325 SNB	325 Sex Bolt, 1/4-20 US32D (Pkg of 2)	27.00	10
425 SNB	425 Sex Bolt, 10-24 US32D (Pkg of 2)	27.00	10
4208	CD/EA/KOR Cylinder Retaining Bracket	10.00	30
060126	512/718 Lever Washer (Pkg of 10)	10.00	1
3894-000	Cylinder Nut BRS	10.00	10
650311	Rod Guide Kit US32D	59.00	6
650311	Rod Guide Kit SP28	56.00	2
650311	Rod Guide Kit SP313	59.00	2
060109	Hex Dogging Key 7/32" (Pkg of 10)	15.00	1
650231	512 Mtg Pkg US4 1-3/4" Dr	10.00	2
650231	512 Mtg Pkg US10B 1-3/4" Dr	10.00	2
650231	512 Mtg Pkg US26D 1-3/4" Dr	10.00	6
650294	24/25 End Cap Kit US32D 1-3/4" Dr.	41.00	6
650294	24/25 End Cap Kit US26D 1-3/4" Dr.	40.00	2
650294	24/25 End Cap Kit SP28 1-3/4" Dr.	33.00	1
650294	24/25 End Cap Kit SP313 1-3/4" Dr.	37.00	1
600283	511 Trim Shear Pin (Pkg of 5)	11.00	6
640001	24 Device Plastic Mounting Template	10.00	2
640002	25 Device Plastic Mounting Template	10.00	2
650267	510/513 Trim Shear Pin (Pkg of 10)	26.00	3
060112	8500 Lock Housing Screws (Pkg of 10)	10.00	2
060113	24/25-C Latch Screw (Pkg of 10)	10.00	5
060114	Rod Guide Screws (Pkg of 10)	10.00	3
060119	510/511/512/513 Back Plate Screws (Pkg of 10)	10.00	5
600309	25 Lift Finger Screws (Pkg of 2)	11.00	10
600173	8500 Lock Face Screws US3/US4/US10	10.00	10
600173	8500 Lock Face Screws US26D/US32D	10.00	10
600173	8500 Lock Face Screws US10B	10.00	10
060120	8500 Lock Backplate Screws (Pkg of 10)	10.00	5
060121	24/25-V Latch Cover Screws US26D/US32D/US28 (Pkg of 10)	10.00	5
060121	24/25-V Latch Cover Screws US3/US4/US10 (Pkg of 10)	10.00	5
060121	24/25-V Latch Cover Screws US10B (Pkg of 10)	10.00	5
060123	Electric Option Dogging Screw (Pkg of 10)	10.00	5
060122	K-NL/L-NL Spindle Cam Screw (Pkg of 10)	12.00	2
060124	K/L/TL Trim Lock Nut (Pkg of 10)	10.00	1
600305	24/25 Channel Screw (Pkg of 10)	17.00	3
060111	Cotter Key 1/8" x 1" (Pkg of 10)	15.00	5
600279	Cylinder Nut Tool (Pkg of 5)	22.00	2
060125	FSE/FSE Trim Pivot Pin (Pkg of 10)	10.00	2
600319	24/25 Pushbar Guide (Pkg of 2)	12.00	10
600278	25 Trim Cylinder Locknut	12.00	10
060117	25 Center Case Mtg Screws (Pkg of 10)	10.00	5
060118	24 Center Case Housing Screws (Pkg of 10)	10.00	5
060116	25-R/M Device Mounting Screws (Pkg of 10)	10.00	5
060115	FSA/FSE Trim Screws (Pkg of 10)	10.00	5
600307	24/25 Center Case Cover Screws US3 (Pkg of 4)	12.00	12
600307	24/25 Center Case Cover Screws US4 (Pkg of 4)	12.00	12
600307	24/25 Center Case Cover Screws US10 (Pkg of 4)	12.00	12
600307	24/25 Center Case Cover Screws US10B (Pkg of 4)	12.00	12
600307	24/25 Center Case Cover Screws US26D/US32D/SP28 (Pkg of 4)	12.00	12
600277	510/513 Spindle Cam Ret. Ring (Pkg of 10)	11.00	2
600308	25 Housing Plate Screws (Pkg of 2)	11.00	2
970321	299 Strike Shim	14.00	20

Prices subject to change without notice

EXITS

Pushpads

Architectural / Heavy Duty

25 Series

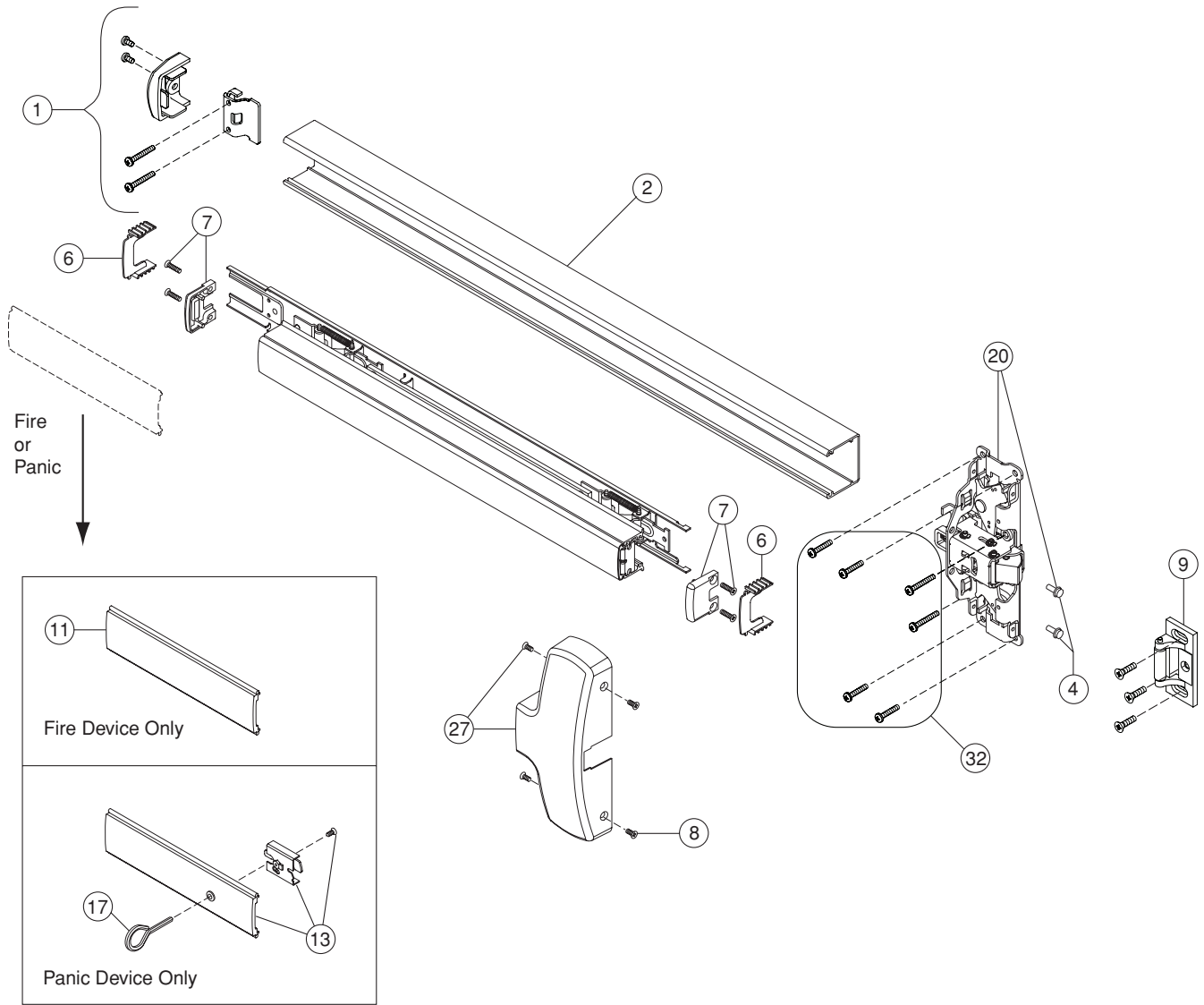
Prices subject to change without notice



(F)25 rim exit device

Panic and fire

EXITS
Pushpads
Architectural / Heavy Duty
25 Series



Prices subject to change without notice

No.	Qty.	Part no.	Description	Package contents	Notes
1	1	650294	25 Channel Endcap Kit 1¾" Door	1- Channel Endcap	A
				2- #10-24 x ¾" PPHMS	
				1- Channel Endcap Bracket	
				2- #10 x 1¼" PPHSMS	
				2- #10-24 x 1" PPHMS	
	1	650348	25 Channel Endcap Kit 2¼" Door	1- Channel Endcap	A
				2- #10-24 x ¾" PPHMS	
				1- Channel Endcap Bracket	
				2- #10 x 1¼" PPHSMS	
				2- #10-24 x 1" PPHMS	
2	1	661412	25 Channel 3'		A
		661413	25 Channel 4		
4	1	600305	25 Channel Screw package of 10	#10-16 x ½" Hex Washer Head Taptite	
6	1	600319	25 Pushbar Guide Pkg	2- Pushbar Guide	
7	1	600310	25 Pushbar Endcap Kit	2- Pushbar Endcap	A
				4- #8-18 x ¾" FPHSMS	
8	1	600307	25 Center Case Cover Screw Pkg	4- #8-18 x ¾" UFPHMS	A
9	1	299	299 Strike		C
11	1	650227	F-25 Channel Cover Plate 3'		A, B
		650228	F-25 Channel Cover Plate 4'		
13	1	650191	25 Hex Dogging Kit 3'	1- Panic Channel Cover (3' or 4") 1- Dogging Subassembly	A, B
		650192	25 Hex Dogging Kit 4'	1- #8-32 x ¾" UFPHMS	
17	1	060109	Hex Dogging Key 7/32" package of 10		
20	1	650239	25-R Center Case Kit, Panic	1- Center Case	
		650240	F-25-R Center Case Kit, Fire	2- #10-16 x ½" Hex Washer Head Taptite	
27	1	650255	(F)25-R Center Case Cover Kit	1- Head Cover	A
				4- #8-18 x ¾" UFPHMS	
32	1	650345	(F)25-R/M Mounting Pkg 1¾" Door	6- #10 x 1¼" PPHSMS	*
				4- #10-24 x ¾" PPHMS	
				2- #10-24 x 1" PPHMS	
				1- Tailpiece Guide	
		650293	(F)25-R/M Mounting Pkg 2¼" Door	6- #10 x 1¼" PPHSMS	*
		4- #10-24 x 1¼" PPHMS			
		2- #10-24 x 1½" PPHMS			
		1- Tailpiece Guide	*		

* Item(s) not shown.

A Specify by finish: US3, US4, US10, US26, US26D, US32, US32D, US28, 313AN

B Specify by finish: US3, US4, US10, US19, US26, US26D, SP313

Prices subject to change without notice

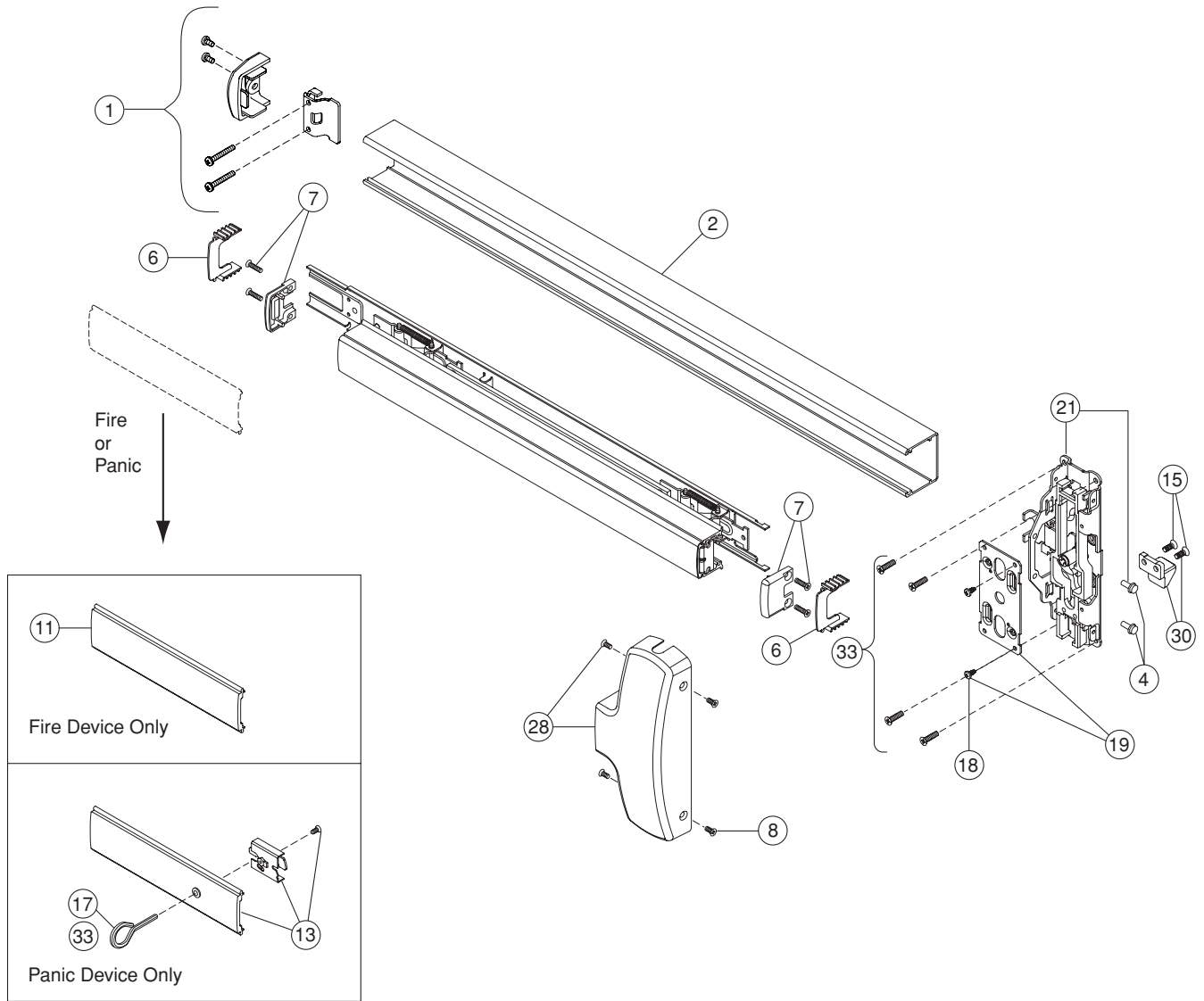
Panic and fire

EXITS

Pushpads

Architectural / Heavy Duty

25 Series



No.	Qty.	Part no.	Description	Package contents	Notes
1	1	650294	25 Channel Endcap Kit 1¾" Door	1- Channel Endcap 2- #10-24 x ¾" PPHMS 1- Channel Endcap Bracket 2- #10-24 x 1" PPHMS 2- #10 x 1¼" PPHSMS	A
1	1	650348	25 Channel Endcap Kit 2¼" Door	1- Channel Endcap 2- #10-24 x ¾" PPHMS 1- Channel Endcap Bracket 2- #10-24 x 1" PPHMS 2- #10 x 1¼" PPHSMS	A

Prices subject to change without notice

No.	Qty.	Part no.	Description	Package contents	Notes
2	1	661412	25 Channel 3'		A
		661413	25 Channel 4'		
4	1	600305	25 Channel Screw package of 10	10- #10-16 x 1/2" Hex Washer Head Taptite	
6	1	600319	25 Pushbar Guide Pkg	2- Pushbar Guide	
7	1	600310	25 Pushbar Endcap Kit	2- Pushbar Endcap	A
				4- #8-18 x 3/4" FPHSMS	
8	1	600307	25 Center Case Cover Screw Pkg	4- #8-18 x 3/8" UFPHMS	A
11	1	650227	F-25 Channel Cover Plate 3'		A
		650228	F-25 Channel Cover Plate 4'		
13	1	650191	25 Hex Dogging Kit 3'	1- Panic Channel Cover (3' or 4")	A
		650192	25 Hex Dogging Kit 4'	1- Dogging Subassembly 1- #8-32 x 3/8" UFPHMS	
15	1	600309	25-V/C Finger Screw Pkg	2- #10-24 x 3/8" UFPHMS	
17	1	060109	Hex Dogging Key 7/32" package of 10		
18	1	600308	25-V/M/C Center Case Housing Screw Pkg	2- #8-32 x 3/8" PPHMS Trilob	
19	1	650261	25-V/M/C Center Case Housing Kit	2- #8-32 x 3/8" PPHMS Trilob	
				1- Vertical Housing	
21	1	650242	(F)25-V Center Case Kit	1- Center Case	
				2- #10-16 x 1/2" Hex Washer Head Taptite	
28	1	650257	(F)25-V Center Case Cover Kit	1- Head Cover	A
				4- #8-18 x 3/8" UFPHMS	
30	1	650262	25-V Center Case Finger Kit	2- #10-24 x 3/8" UFPHMS	
				1-Vertical Finger	
33	1	650315	25-V Mounting Pkg 1 3/4" - 2 1/4" Door	6- #10 x 1 1/4" PPHSMS	*
				4- #10 x 1 1/4" FPHSMS	*
				1- 1/8 x 1" Cotter Key	*
				1- Dogging Key	
		650316	F-25-V Mounting Pkg 1 3/4" Door	6- #10-24 x 3/4" PPHMS	
				4- #10-24 x 3/4" FPHMS	*
				1- 1/8 x 1" Cotter Key	*
		650295	F-25-V Mounting Pkg 2 1/4" Door	6- #10-24 x 1 1/4" PPHMS	*
				4- #10-24 x 1 1/4" FPHMS	*
1- 1/8" x 1" Cotter Key	*				

* Item(s) not shown.

A Specify by finish: US3, US4, US10, US26, US26D, US32, US32D, US28, 313AN

Prices subject to change without notice

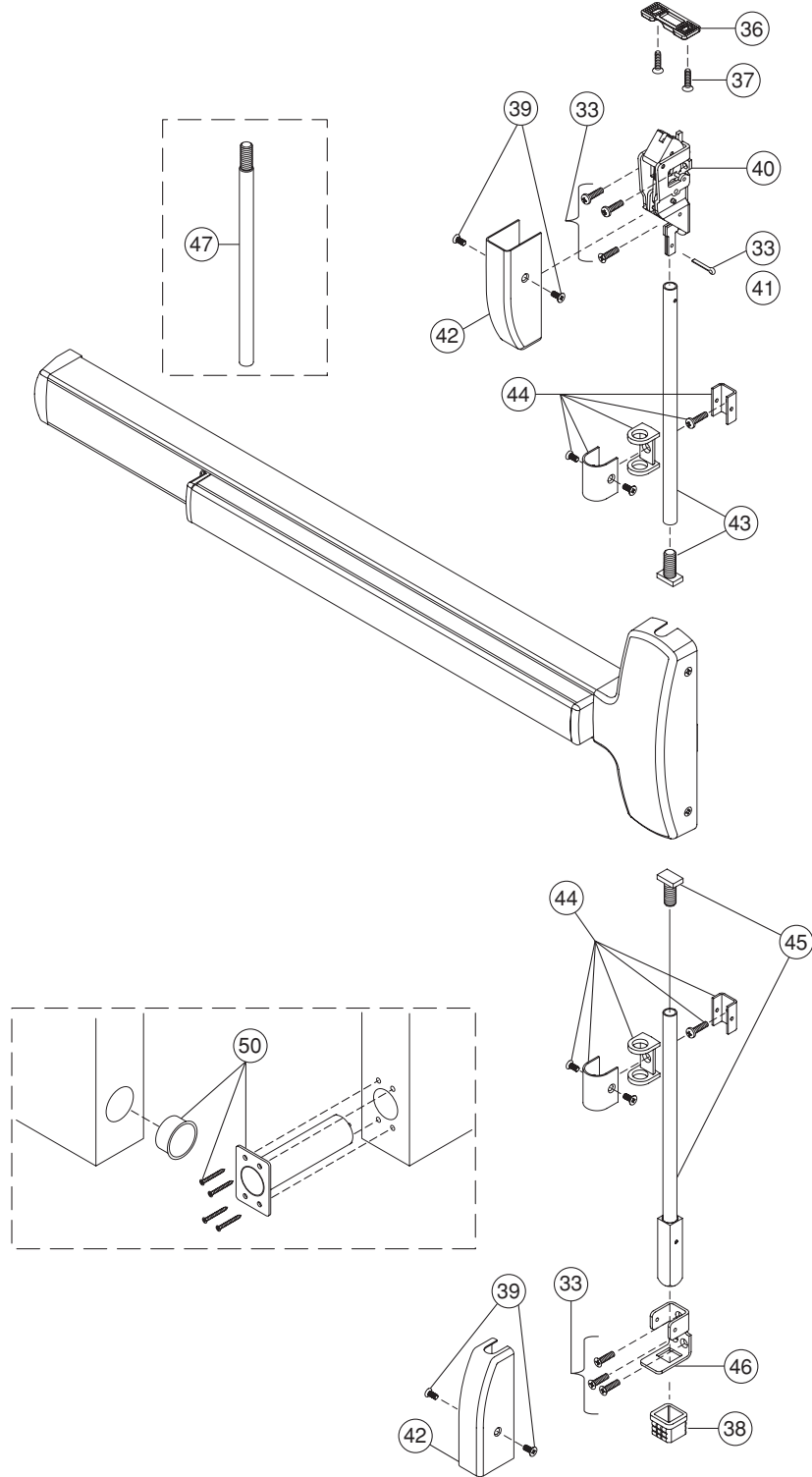
Panic and fire

EXITS

Pushpads

Architectural /
Heavy Duty

25 Series



Prices subject to change without notice

No.	Qty.	Part no.	Description	Package contents	Notes
33	1	650315	25-V Mounting Pkg 1¾" – 2¼" Door	4– #10 x 1¼" FPHSMS	*
				6– #10 x 1¼" PPHSMS	*
				1– ⅛ x 1" Cotter Key	
				1– Dogging Key	*
		650316	F-25-V Mounting Pkg 1¾" Door	4– #10-24 x ¾" FPHMS	*
				6– #10-24 x ¾" PPHMS	
				1– ⅛ x 1" Cotter Key	
		650295	F-25-V Mounting Pkg 2¼" Door	4– #10-24 x 1¼" FPHMS	*
				6– #10-24 x 1¼" PPHMS	*
1– ⅛" x 1" Cotter Key					
36	1	3788	Vertical Rod Top Strike		
37	2	660002	#10 x 1¼" FPHSMS		
38	1	2130	Vertical Rod Bottom Strike		
39	1	650336	25-V Latch Case Cover Mounting Pkg	4– #8-32 x ¼" UFPHMS	
40	1	650389	25-V Top Latch Case		
		650375	F-25-V Top Latch Case		
41	1	060111	⅛" x 1" Cotter Key package of 10		
42	2	650202	25-V Latch Case Cover Kit		A
43	1	3777	25-V Top Rod Kit		A
44	2	650311	25-V Rod Guide Kit		A
45	1	610055	25-V Bottom Rod Kit		A
46	1	650387	25-V Bottom Bolt Guide		A
47	1	650006	Vertical Extension Rod 12"		A
		650007	Vertical Extension Rod 24"		
		650008	Vertical Extension Rod 36"		
50	1	5494	Auxiliary Fire Pin Kit (Less Bottom Rod application only)		

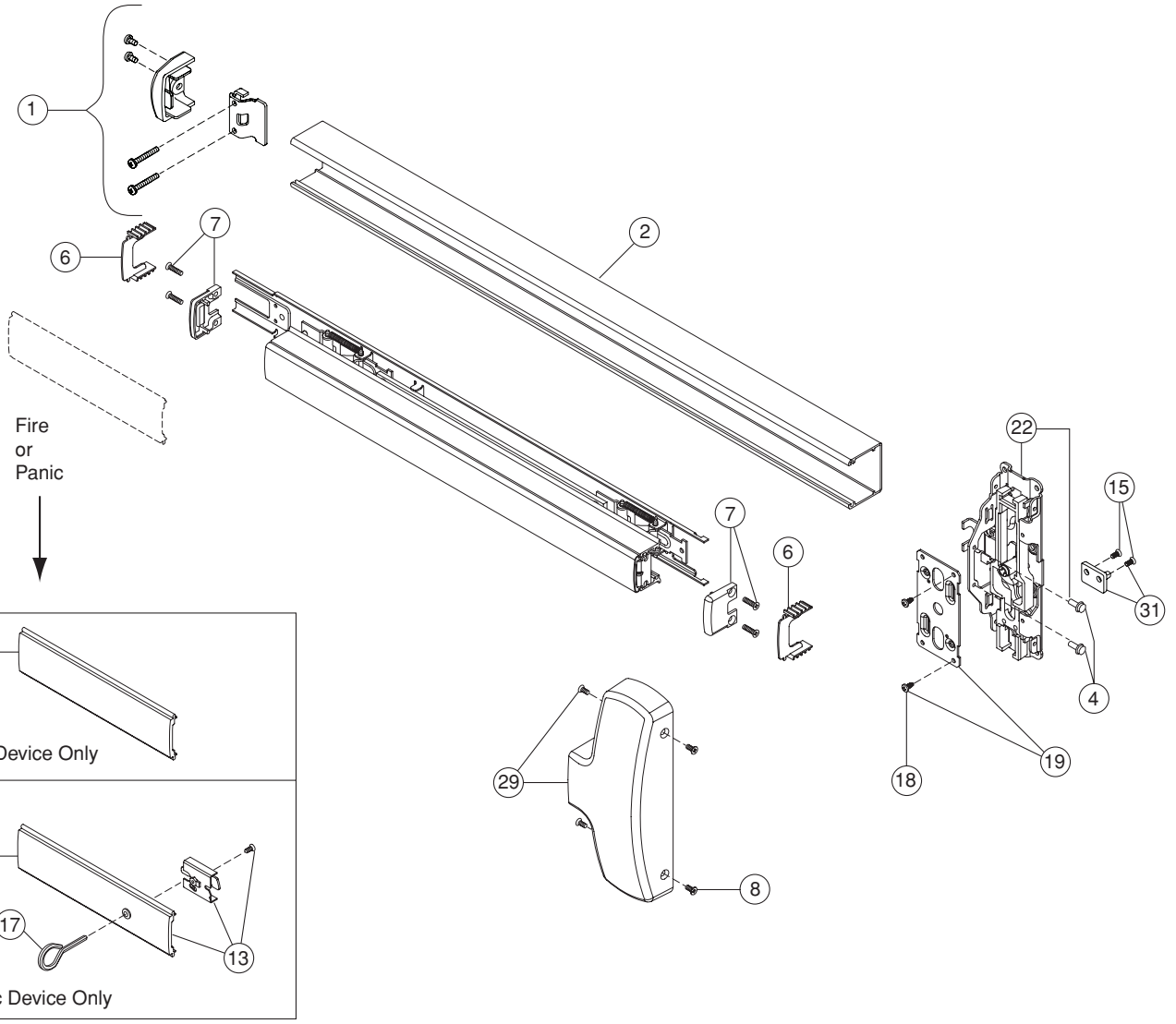
* Item(s) not shown.

A Specify by finish: US3, US4, US10, US26, US26D, US32, US32D, US28, 313AN

Prices subject to change without notice

(F)25-C Concealed vertical rod exit device

Panic and fire



EXITS

Pushpads

Architectural / Heavy Duty

25 Series

Prices subject to change without notice

No.	Qty.	Part no.	Description	Package contents	Notes
1	1	650294	25 Channel Endcap Kit 1¾" Door	1- Channel Endcap	A
				2- #10-24 x ⅜" PPHMS	
				1- Channel Endcap Bracket	
				2- #10-24 x 1" PPHMS	
				2- #10 x 1¼" PPHSMS	
	1	650348	25 Channel Endcap Kit 2¼" Door	1- Channel Endcap	A
				2- #10-24 x ⅜" PPHMS	
				1- Channel Endcap Bracket	
				2- #10-24 x 1" PPHMS	
				2- #10 x 1¼" PPHSMS	
2	1	661412	25 Channel 3'		A
		661413	25 Channel 4'		
4	1	600305	25 Channel Screw package of 10	#10-16 x ½" Hex Washer Head Taptite	
6	1	600319	25 Pushbar Guide Pkg	2- Pushbar Guide	
7	1	600310	25 Pushbar Endcap Kit	2- Pushbar Endcap	A
				4- #8-18 x ¾" FPHSMS	
8	1	600307	25 Center Case Cover Screw Pkg	4- #8-18 - ⅜" UFPHMS	A
11	1	650227	F-25 Channel Cover Plate 3'		A, B
		650228	F-25 Channel Cover Plate 4'		
13	1	650191	25 Hex Dogging Kit 3'	1- Panic Channel Cover (3' or 4') 1- Dogging Subassembly	A, B
		650192	25 Hex Dogging Kit 4'	1- #8-32 x ⅜" UFPHMS	
15	1	600309	25-V/C Center Case Finger Screw Pkg	2- #10-24 x ⅜" UFPHMS	
17	1	060109	Hex Dogging Key ⅞" package of 10		
18	1	600308	25-V/M/C Center Case Housing Screw Pkg	2- #8-32 x ⅜" PPHMS Trilob Housing	
19	1	650261	25-V/M/C Center Case Housing Kit	2- #8-32 x ⅜" PPHMS Trilob Housing	
				1- Vertical Housing	
22	1	650244	25-C, CWDC Center Case Kit	1- Center Case	
				2- #10-16 x ½" Hex Washer Head Taptite	
29	1	650259	(F)25-C/M Center Case Cover Kit	1- Center Case	A
				4- #8-18 - ⅜" UFPHMS	
31	1	650263	25-C Center Case Finger Kit	2- #10-24 x ⅜" UFPHMS	
				1- Concealed Finger	

A Specify by finish: US3, US4, US10, US26, US26D, US32, US32D, US28, 313AN

Prices subject to change without notice

EXITS

 Pushpads

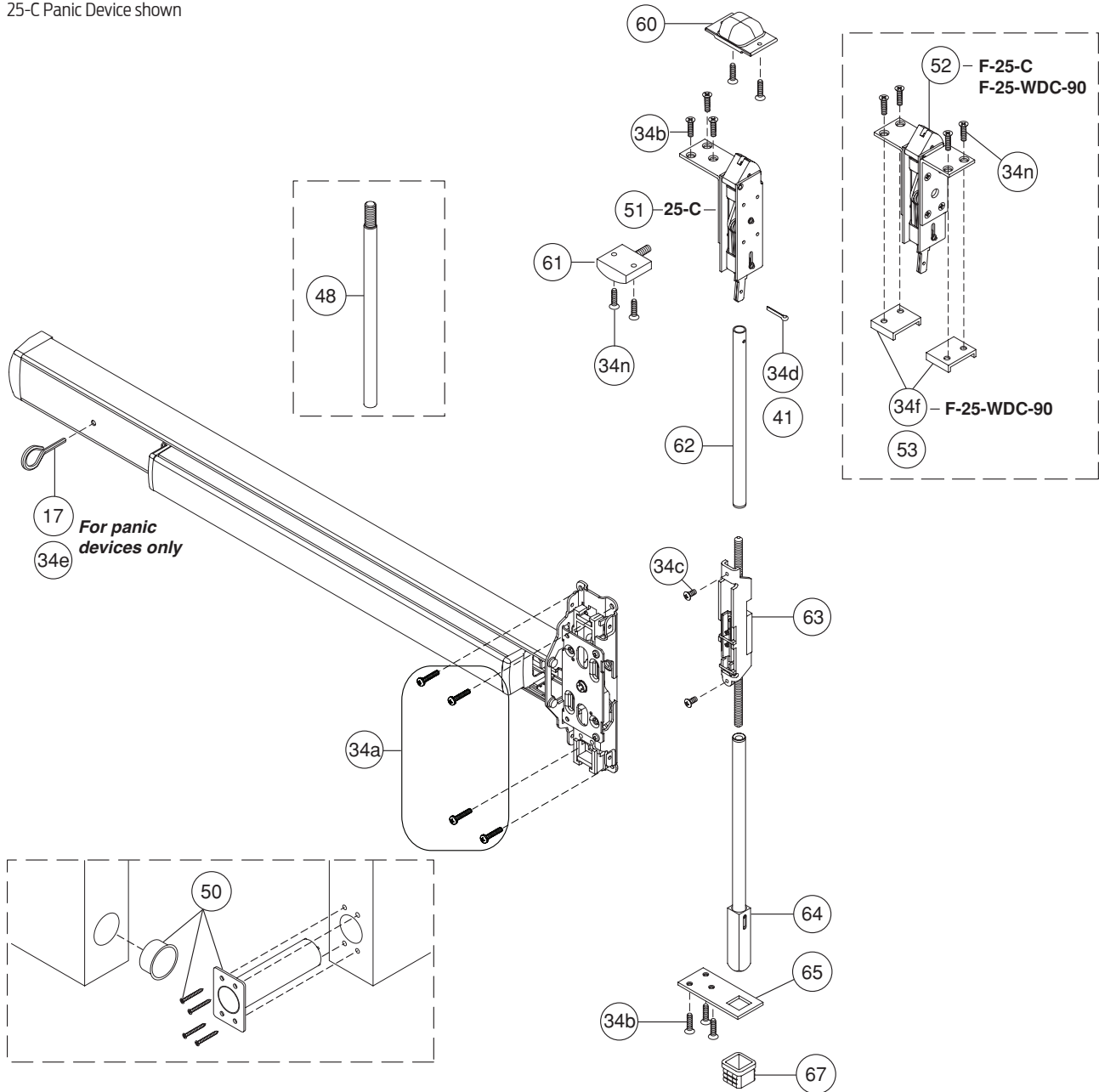
 Architectural / Heavy Duty

 25 Series

(F)25-C and F-25-C-WDC-90 Concealed vertical rods and latches

Metal door—panic and fire, wood door—90 minute fire device

25-C Panic Device shown



EXITS
Pushpads
Architectural / Heavy Duty
25 Series

No.	Qty.	Part no.	Description	Package contents	Notes
17	1	060109	Hex Dogging Key 7/32" package of 10		
34	1	650317	F-25-C Mounting Pkg 1 3/4" Door	34a 8- #10-24 x 3/4" PPHMS 34b 7- #10-24 x 3/4" FPHMS 34c 2- #8-32 x 3/8" UFPHMS 34d 1- 1/8 x 1" Cotter Key — 2- 1/4-20 x 3/4" PPHMS	*

Prices subject to change without notice

Concealed vertical rods and latches **(F)25-C and F-25-C-WDC-90**

No.	Qty.	Part no.	Description	Package contents		Notes
34	1	650318	25-C Mounting Pkg 1¾" Door	34a	8- #10 x 1¼" PPHSMS	*
				34b	6- #10-24 x ¾" FPHMS	
				34c	2- #8-32 x ⅜" UFPHMS	
				34d	1- ⅜ x 1" Cotter Key	
				34e	1- Dogging Key	
				—	2- #14 x 1" PPHSMS	*
		650299	F-25-CWDC Mounting Pkg 1¾" Door	34a	4- #10 x 1¼" PPHSMS	*
				34a	8- #10-24 x ¾" PPHMS	
				34b	3- #10 x 1¼" FPHMS	*
				34c	2- #8-32 x ⅜" UFPHMS	
				34d	1- ⅜ x 1" Cotter Key	
				34f	2- Latch Bracket (Sold Separately #4694-089)	
				34n	6- #10-24 x ¾" FPHMS	
		650296	F-25-CWDC Mounting Pkg 2¼" Door	34a	4- #10 x 1¼" PPHSMS	*
				34a	8- #10-24 x ¾" PPHMS	
				34b	3- #10 x 1¼" FPHMS	*
				34c	2- #8-32 x ⅜" UFPHMS	
				34d	1- ⅜ x 1" Cotter Key	
				34f	2- Latch Bracket (Sold Separately #4694-089)	
				34n	6- #10-24 x ¾" FPHMS	
650300	25-C Mounting Pkg 2¼" Door	34a	8- #10 x 1¼" PPHSMS	*		
		34b	6- #10-24 x 1¼" FPHMS			
		34c	2- #8-32 x ⅜" UFPHMS			
		34d	1- ⅜ x 1" Cotter Key			
		34e	1- Dogging Key			
		—	2- #14 x 1" PPHSMS	*		
650346	F-25-C Mounting Pkg 2¼" Door	34a	8- #10-24 x 1¼" PPHMS			
		34b	7- #10-24 x 1¼" FPHMS			
		34c	2- #8-32 x ⅜" UFPHMS			
		34d	1- ⅜ x 1" Cotter Key			
		—	2- ¼-20 x 1¼" PPHMS	*		
41	1	060111	⅜ x 1" Cotter Key package of 10			
48	1	650017	Concealed Vertical Extension Rod 12"			
		650018	Concealed Vertical Extension Rod 24"			
		650019	Concealed Vertical Extension Rod 36"			
50	1	5494	Auxiliary Fire Latch Kit (Less Bottom Rod application only)			
51	1	603L	25-C, CWDC Top Latch Case LHR			
		603R	25-C, CWDC Top Latch Case RHR			
52	1	F603	F-25-C Top Latch Case			
53	2	4694	F-25 CWDC Latch Bracket			
60	1	4188	Concealed Vertical Top Rod Strike			
61	1	650339	(F)25-C, CWDC Top Latch Release Kit		A	
62	1	610061	(F)25-C, CWDC Top Rod Kit			
63	1	650376	(F)25-C, CWDC Center Slide Assembly			
64	1	610057	(F)25-C, CWDC Bottom Rod Kit			
65	1	4567	25-C Bottom Bolt Guide			
67	1	2130	Vertical Rod Bottom Strike			

* Items for 24 Series devices only, not shown.

A Specify by finish: US3, US4, US10, US26, US26D, US32, US32D, US28, 313AN

Prices subject to change without notice

25-C-WDC and F-25-C-WDC-20 Concealed vertical rods and latches

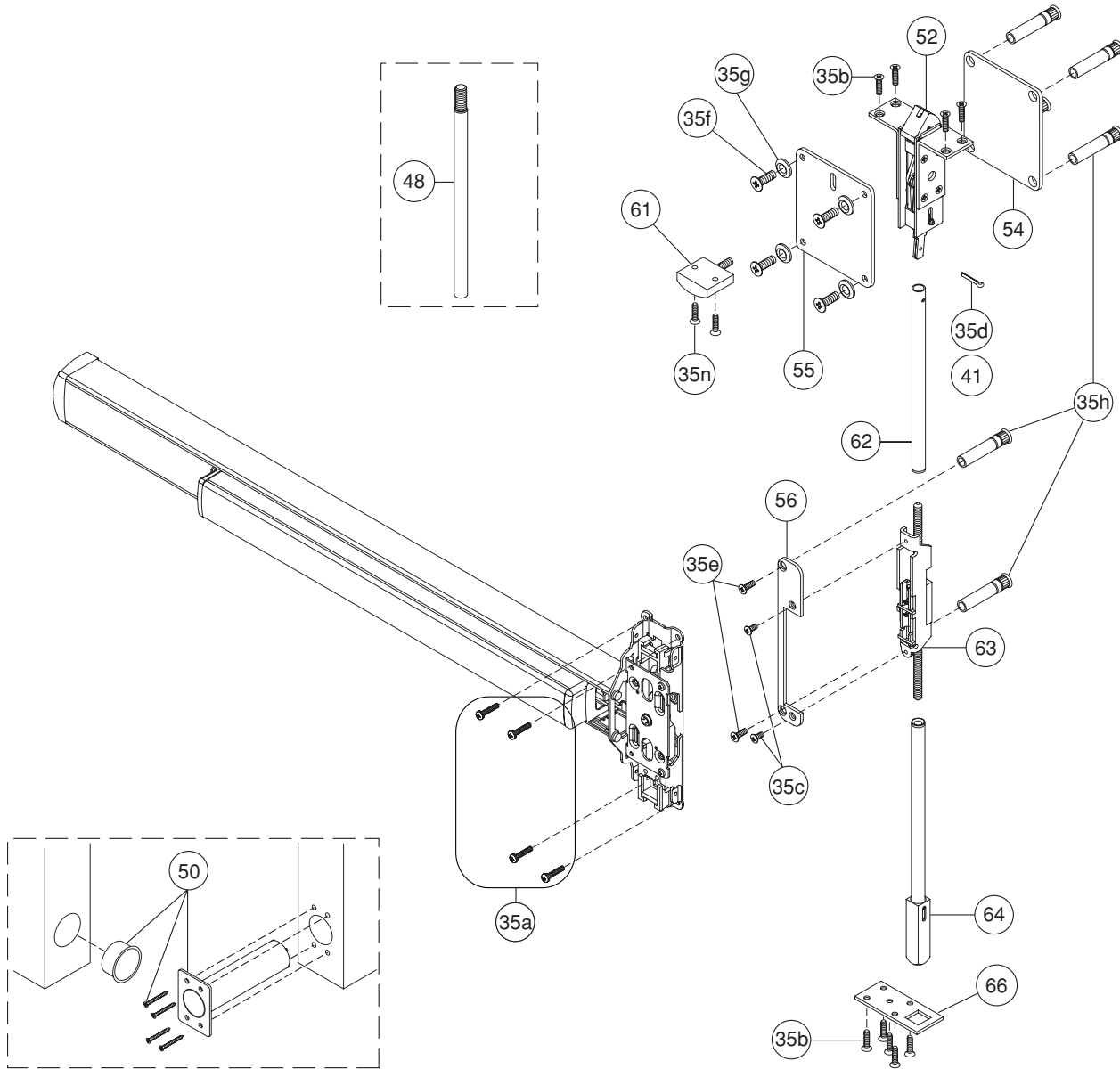
Wood door—panic devices, wood door—20 minute fire device

EXITS

Pushpads

Architectural / Heavy Duty

25 Series



F-25-C-WDC-20 Device shown

REFERENCE NOTE:
F-25-C-WDC-20 is no longer available for purchase. Parts listed for installed SERVICE ONLY.

Prices subject to change without notice

Concealed vertical rods and latches **25-C-WDC and F-25-C-WDC-20**

No.	Qty.	Part no.	Description	Package contents		Notes
17	1	060109	Hex Dogging Key 7/32" package of 10			
35	1	650299	F-25-CWDC Mounting Pkg 1 3/4" Door	35a	8- #10 x 1 1/4" PPHSMS	A
				—	4- #10-24 x 1" PPHMS	
				35b	11- #10 x 1 1/4" FPHSMS	
				35c	2- #8-32 x 3/8" UFPHMS	
				35d	1- 1/8 x 1" Cotter Key	
				35e	2- 3/4" CS Plate Mtg Screw	
				35f	4- 1/4-20 x 3/4" FPHMS	
				35g	4- 1/4" CS Washer	
				35h	6- 1/4-20 Sexbolt	
		35n	4- #10-24 x 3/4" FPHMS			
		650296	25-CWDC Mounting Pkg 2 1/4" Door	35a	8- #10 x 1 1/4" PPHSMS	A
				—	4- #10-24 x 1 1/2" PPHMS	
				35b	11- #10 x 1 1/4" FPHSMS	
				35c	2- #8-32 x 3/8" UFPHMS	
				35d	1- 1/8 x 1" Cotter Key	
				35e	2- 3/4" CS Plate Mtg Screw	
				35f	4- 1/4-20 x 1 1/4" FPHMS	
				35g	4- 1/4" CS Finish Washer	
				35h	6- 1/4-20 Sexbolt	
35n	2- #10-24 x 3/4" FPHMS					
41	1	060111	1/8 x 1" Cotter Key package of 10			
48	1	650017	Concealed Vertical Extension Rod 12"			
		650018	Concealed Vertical Extension Rod 24"			
		650019	Concealed Vertical Extension Rod 36"			
49	1	WF603	F-25-CWDC Top Latch Case			*
50	1	5494	Auxiliary Fire Latch Kit (Less Bottom Rod application only)			
52	1	F603	F-25-C Top Latch Case			
54	1	4833	Top Reinforcement Plate			A
55	1	4834	Top Reinforcement Plate with Access Hole			A
56	1	4832	(F)25-CWDC Center Slide Reinforcement Plate			
61	1	650339	(F)25-C, CWDC Top Latch Release Kit			A
62	1	610061	(F)25-C, CWDC Top Rod Kit			
63	1	650376	(F)25-C, CWDC Center Slide Assembly			
64	1	610057	(F)25-C, CWDC Bottom Rod Kit			
66	1	4835	25-CWDC Bottom Bolt Guide			

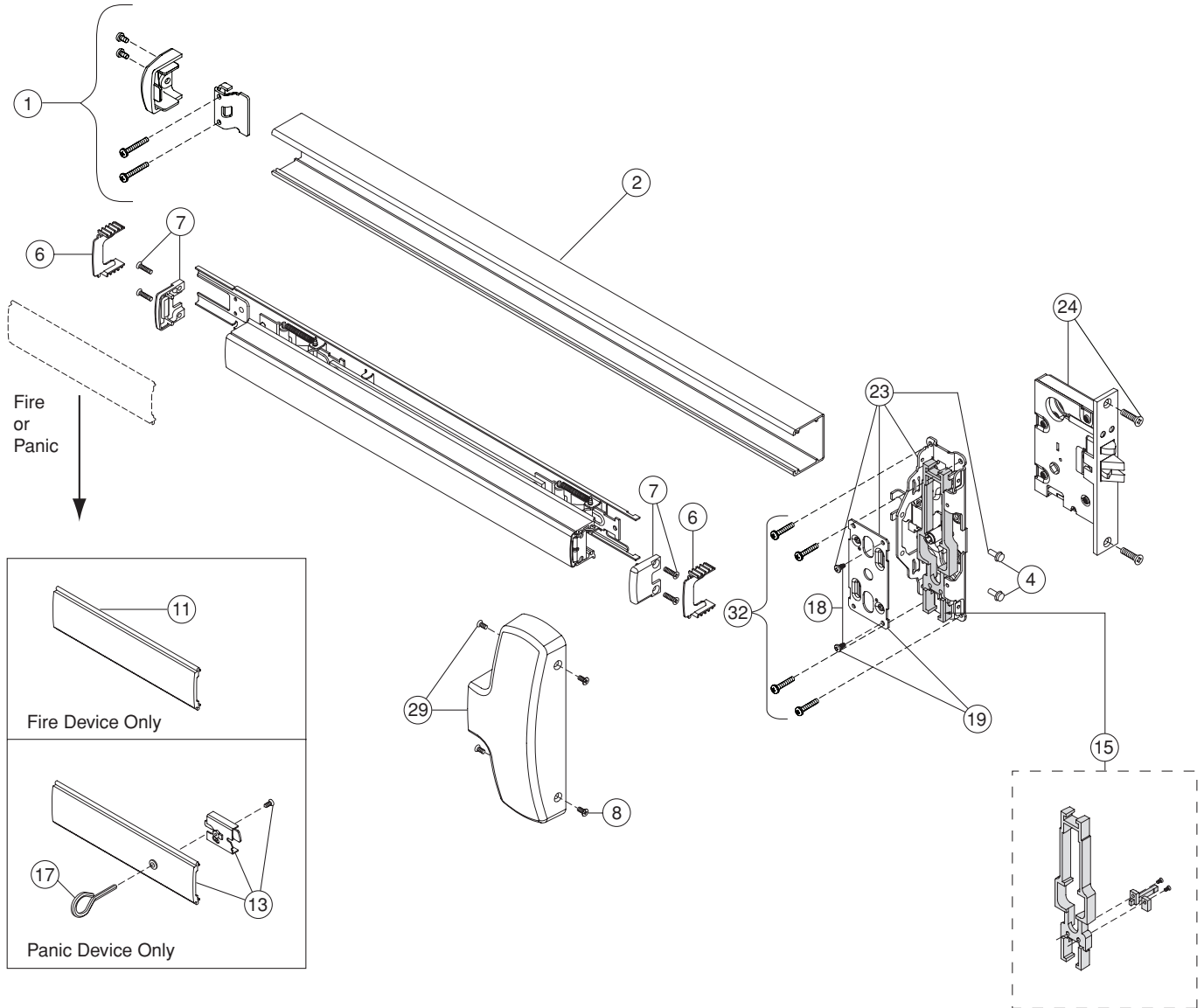
* Item(s) not shown.

A Specify by finish: US3, US4, US10, US26, US26D, US32, US32D, US28, 313AN

Prices subject to change without notice

(F)25-M Mortise exit device

Panic and fire



EXITS

Pushpads

Architectural / Heavy Duty

25 Series

No.	Qty.	Part no.	Description	Package contents	Notes
1	1	650294	25 Channel Endcap Kit 1¾" Door	1- Channel Endcap 2- #10-24 x ¾" PPHMS 1- Channel Endcap Bracket 2- #10-24 x 1" PPHMS 2- #10 x 1¼" PPHSMS	A

Prices subject to change without notice

No.	Qty.	Part no.	Description	Package contents	Notes
1	1	650348	25 Channel Endcap Kit 2 1/4" Door	1- Channel Endcap	A
				2- #10-24 x 3/8" PPHMS	
				1- Channel Endcap Bracket	
				2- #10-24 x 1" PPHMS	
				2- #10 x 1 1/4" PPHSMS	
2	1	661412	25 Channel 3'		A
		661413	25 Channel 4'		
4	1	600305	25 Channel Screw package of 10	#10-16 x 1/2" Hex Washer Head Taptite	
6	1	600319	25 Pushbar Guide Pkg	2- Pushbar Guide	
7	1	600310	25 Pushbar Endcap Kit	2- Pushbar Endcap	A
				4- #8-18 x 3/4" FPHSMS	
8	1	600307	25 Center Case Cover Screw Pkg	4- #8-18 x 3/8" UFPHMS	A
11	1	650227	F-25 Channel Cover Plate 3'		B
		650228	F-25 Channel Cover Plate 4'		
13	1	650191	25 Hex Dogging Kit 3'	1- Panic Channel Cover (3' or 4')	A
		650192	25 Hex Dogging Kit 4'	1- Dogging Subassembly 1- #8-32 x 3/8" UFPHMS	
15	1	650377	25-M Center Case Slide Bar Assembly LHR		C
		650378	25-M Center Case Slide Bar Assembly RHR		
17	1	060109	Hex Dogging Key 7/32" package of 10		
18	1	600308	25-V/M/C Housing Screw Pkg	2- #8-32 x 3/8" PPHMS Trilob	
19	1	650261	25-V/M/C Housing Kit	2- #8-32 x 3/8" PPHMS Trilob	
				1- Vertical Housing	
23	1	650246	(F)25-M Center Case Kit, RHR	1- Center Case	
				2- #10-16 x 1/2" Hex Washer Head Taptite	
				1- Mortise Finger	
		650398	(F)25-M Center Case Kit, LHR	1- Mortise Block 2- #10-24 x 3/8" UFPHMS	
24	1	8500	Mortise Lock Assembly	1- Mortise Lock	
				2- #12-24 x 1/2" UFPHMS	
29	1	650259	(F)25-C, M Center Case Cover Kit	1- Center Case Cover	A
				4- #8-18 x 3/8" UFPHMS	
32	1	650345	(F)25-R/M Mounting Pkg 1 3/4" Door	6- #10 x 1 1/4" PPHSMS	*
				4- #10-24 x 3/4" PPHMS	
				2- #10-24 x 1" PPHMS	
				1- Tailpiece Guide	
		650293	(F)25-R/M Mounting Pkg 2 1/4" Door	6- #10 x 1 1/4" PPHSMS	*
				4- #10-24 x 1 1/4" PPHMS	
				2- #10-24 x 1 1/2" PPHMS	
1- Tailpiece Guide	*				

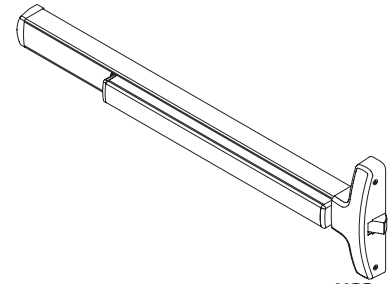
* Item(s) not shown.

A Specify by finish: US3, US4, US10, US26, US26D, US32, US32D, US28, 313AN

B Lift Finger is pre-installed on the Slide Bar Assembly. Screws secured with Loctite®.

Prices subject to change without notice

3' Devices are priced with standard trim and strikes, 4' add \$19 list.
Cylinders are not included in the price.



EXIT HARDWARE
Rim Devices
(Includes 299 Strike)

	Trim/Control	US28	US32D	313AN	US19* US26D	US26	US32	US10	US4	US3 643E* US15*
* 24-R-EO		1203	1511	1274	1463	1518	1547	1518	1547	1652
* 24-R-NL-OP	(Supplied as NL less trim)	1203	1511	1274	1463	1518	1547	1518	1547	1652
Delta Trim (handed and field reversible)										
24-R-DT	717DT	1394	1786	1509	1738	1793	1822	1709	1738	1927
24-R-DT	718DT	1572	1806	1485	1758	1813	1842	1887	1916	1947
* 24-R-NL	718NL*	1394	1786	1509	1738	1793	1822	1709	1738	1927
* 24-R-C	718C*	1352	1722	1465	1674	1729	1758	1667	1696	1863
Knob Control (handed and field reversible)										
24-R-K	711K	1382	1839	1534	1791	1846	1875	1697	1726	1980
24-R-K-BE	711K-BE	1382	1839	1534	1791	1846	1875	1697	1726	1980
24-R-K-NL	711K-NL	1382	1839	1534	1791	1846	1875	1697	1726	1980
Dane Lever Control (handed and field reversible)										
* 24-R-L	712L*	1563	1915	1652	1867	1922	1951	1878	1907	2056
* 24-R-L-BE	712L-BE*	1563	1915	1652	1867	1922	1951	1878	1907	2056
* 24-R-L-NL	712L-NL*	1563	1915	1652	1867	1922	1951	1878	1907	2056
* 24-R-L-DT	712L-DT*	1563	1915	1652	1867	1922	1951	1878	1907	2056

* These devices and 712L, 712L-BE, 712L-NL, 712L-DT, 718C, 718NL trims are available in 643E, US15 and US19 finishes.

REFERENCE NOTES:

24 Series ordered in 313AN will be supplied with trims in SP313.
Handing: Trims are furnished RHR when handing is not specified.
24 Rim, comes with dead latching as a standard effective April 3, 2017.

Sex Bolts:

Optional Sex Bolts are recommended for center case mounting when device is used with hollow core wood, composite or light gauge hollow metal doors. See chart below for quantities and list prices.

Application	Sex Bolt 325 (Optional)	Sex Bolt 425 (Optional)	List Add
Hollow core wood, composite or light gauge hollow metal doors - EO (exit only device)	2	4	84
Hollow core wood, composite or light gauge hollow metal doors - Device with Trim	Not Required	4	56

Prices subject to change without notice

EXITS

Pushpads

Architectural /
Heavy Duty

24 Series

**3' Devices are priced with standard trim and strikes, 4' add \$19 list.
Cylinders are not included in the price.**

EXIT HARDWARE

Rim Devices

(Includes 299F Strike)

	Trim/Control	US28	US32D	313AN	US19* US26D	US26	US32	US10	US4	US3 643E* US15*
* F-24-R-EO		1420	1728	1491	1680	1735	1764	1735	1764	1869
* F-24-R-NL-OP	(Supplied as NL less trim)	1420	1728	1491	1680	1735	1764	1735	1764	1869
Delta Trim (handed and field reversible)										
F-24-R-DT	717DT	1611	2003	1726	1955	2010	2039	1926	1955	2144
F-24-R-DT	718DT	1789	2023	1702	1975	2030	2059	2104	2133	2164
* F-24-R-NL	718NL*	1611	2003	1726	1955	2010	2039	1926	1955	2144
* F-24-R-C	718C*	1569	1939	1682	1891	1946	1975	1884	1913	2080
Knob Control (handed and field reversible)										
F-24-R-K	711K	1599	2056	1751	2008	2063	2092	1914	1943	2197
F-24-R-K-BE	711K-BE	1599	2056	1751	2008	2063	2092	1914	1943	2197
F-24-R-K-NL	711K-NL	1599	2056	1751	2008	2063	2092	1914	1943	2197
Dane Lever Control (handed and field reversible)										
* F-24-R-L	712L*	1780	2132	1869	2084	2139	2168	2095	2124	2273
* F-24-R-L-BE	712L-BE*	1780	2132	1869	2084	2139	2168	2095	2124	2273
* F-24-R-L-NL	712L-NL*	1780	2132	1869	2084	2139	2168	2095	2124	2273
* F-24-R-L-DT	712L-DT*	1780	2132	1869	2084	2139	2168	2095	2124	2273

* These devices and 712L, 712L-BE, 712L-NL, 712L-DT, 718C, 718NL trims are available in 643E, US15 and US19 finishes.

REFERENCE NOTES:

24 Series ordered in 313AN will be supplied with trims in SP313.

Handing: Trims are furnished RHR when handing is not specified.

Sex Bolts:

Sex Bolts are supplied for center case mounting when device is used with wood, composite or non-reinforced hollow metal doors.

Application	Sex Bolt 325 (Supplied)	Sex Bolt 425 (Supplied)
Wood, composite or non-reinforced hollow metal doors - EO (exit only device)	2	4
Wood, composite or non-reinforced hollow metal doors - Device with Trim	Not Required	4

EXITS

Pushpads

Architectural /
Heavy Duty

24 Series

Prices subject to change without notice

3' Devices are priced with standard trim and strikes, 4' add \$19, 2' (less label) add \$123 list. Cylinders are not included in the price.

EXIT HARDWARE

Surface Vertical Rod Devices
(Includes 3788 and 2130 Strikes)

Trim/Control	US28	US32D	313AN	US19* US26D	US26	US32	US10	US4	US3 643E* US15*
* 24-V-EO	1571	1995	1664	1921	1995	2033	1995	2033	2151
* 24-V-NL-OP (Supplied as NL less trim)	1571	1995	1664	1921	1995	2033	1995	2033	2151
Delta Trim (handed and field reversible)									
24-V-DT 717DT	1762	2270	1899	2196	2270	2308	2186	2224	2426
24-V-DT 718DT	1940	2290	1875	2216	2290	2328	2364	2402	2446
* 24-V-NL 718NL*	1762	2270	1899	2196	2270	2308	2186	2224	2426
* 24-V-C 718C*	1720	2206	1855	2132	2206	2244	2144	2182	2362
Knob Control (handed and field reversible)									
24-V-K 711K	1750	2323	1924	2249	2323	2361	2174	2212	2479
24-V-K-BE 711K-BE	1750	2323	1924	2249	2323	2361	2174	2212	2479
24-V-K-NL 711K-NL	1750	2323	1924	2249	2323	2361	2174	2212	2479
Dane Lever Control (handed and field reversible)									
* 24-V-L 712L*	1931	2399	2042	2325	2399	2437	2355	2393	2555
* 24-V-L-BE 712L-BE*	1931	2399	2042	2325	2399	2437	2355	2393	2555
* 24-V-L-NL 712L-NL*	1931	2399	2042	2325	2399	2437	2355	2393	2555
* 24-V-L-DT 712L-DT*	1931	2399	2042	2325	2399	2437	2355	2393	2555

* These devices and 712L, 712L-BE, 712L-NL, 712L-DT, 718C, 718NL trims are available in 643E, US15 and US19 finishes.

REFERENCE NOTES:

24 Series ordered in 313AN will be supplied with trims in SP313.

24-V Device ordered in US15 will be supplied with US32D Rod and Latch Cover.

Handing: 24-V devices and noted Trims are handed and field reversible. The Device and Trims are furnished RHR when handing is not specified.

Extension Rods: For door heights over 7'0" up to 8'0", 12" extension rods are furnished at no additional charge at the time of device order. For door heights over 8'0" up to 10'0" extension rods are furnished at prices shown in parts section with the device at the time of order. MUST specify door height on order line.

Sex Bolts:

Optional Sex Bolts are recommended for center case and latch mounting when device is used with hollow core wood, composite or light gauge hollow metal doors. See chart below for quantities and list prices.

Application	Latches Sex Bolt 2729 (Optional)	Device Sex Bolt 425 (Optional)	Device Sex Bolt 325 (Optional)	List Add
Hollow core wood, composite or light gauge hollow metal doors - EO (exit only device)	6	2	2	122
Hollow core wood, composite or light gauge hollow metal doors - Device with Trim	6	2	Not Required	94
Hollow core wood, composite or light gauge hollow metal doors - EO (exit only device) LBR	3	2	2	89
Hollow core wood, composite or light gauge hollow metal doors - Device with Trim LBR	3	2	Not Required	61

Prices subject to change without notice

EXITS

Pushpads

Architectural /
Heavy Duty

24 Series

3' Devices are priced with standard trim and strikes, 4' add \$19 list, 2' (less label) add \$123 list. Cylinders are not included in the price.

FIRE EXIT HARDWARE
Surface Vertical Rod Devices
 (Includes 3788 and 2130 Strikes)

	Trim/Control	US28	US32D	313AN	US19* US26D	US26	US32	US10	US4	US3 643E* US15*
* F-24-V-EO		1772	2196	1865	2122	2196	2234	2196	2234	2352
* F-24-V-NL-OP	(Supplied as NL less trim)	1772	2196	1865	2122	2196	2234	2196	2234	2352
Delta Trim (handed and field reversible)										
F-24-V-DT	717DT	1963	2471	2100	2397	2471	2509	2387	2425	2627
F-24-V-DT	718DT	2141	2491	2076	2417	2491	2529	2565	2603	2647
* F-24-V-NL	718NL*	1963	2471	2100	2397	2471	2509	2387	2425	2627
* F-24-V-C	718C*	1921	2407	2056	2333	2407	2445	2345	2383	2563
Knob Control (handed and field reversible)										
F-24-V-K	711K	1951	2524	2125	2450	2524	2562	2375	2413	2680
F-24-V-K-BE	711K-BE	1951	2524	2125	2450	2524	2562	2375	2413	2680
F-24-V-K-NL	711K-NL	1951	2524	2125	2450	2524	2562	2375	2413	2680
Dane Lever Control (handed and field reversible)										
* F-24-V-L	712L*	2132	2600	2243	2526	2600	2638	2556	2594	2756
* F-24-V-L-BE	712L-BE*	2132	2600	2243	2526	2600	2638	2556	2594	2756
* F-24-V-L-NL	712L-NL*	2132	2600	2243	2526	2600	2638	2556	2594	2756
* F-24-V-L-DT	712L-DT*	2132	2600	2243	2526	2600	2638	2556	2594	2756

* These devices and 712L, 712L-BE, 712L-NL, 712L-DT, 718C, 718NL trims are available in 643E, US15 and US19 finishes.

REFERENCE NOTES:

24 Series ordered in 313AN will be supplied with trims in SP313.

24-V Device ordered in US15 will be supplied with US32D Rod and Latch Cover.

Handing: F-24-V devices and noted Trims are handed and field reversible. The Device and Trims are furnished RHR when handing is not specified.

Extension Rods: For door heights over 7'0" up to 8'0", 12" extension rods are furnished at no additional charge at the time of device order.

For door heights over 8'0" up to 10'0" extension rods are furnished at prices shown in parts section with the device at the time of order.

MUST specify door height on order line.

Sex Bolts:

One 4122 Sex Bolt is supplied standard no charge for hinge side mounting. Sex Bolts are supplied for center case and latch mounting when device is used with wood, composite or non-reinforced hollow metal doors.

Application	Latches Sex Bolt 2729 (Supplied)	Device Sex Bolt 425 (Supplied)	Device Sex Bolt 325 (Supplied)
Wood, composite or non-reinforced hollow metal doors - EO (exit only device)	6	2	2
Wood, composite or non-reinforced hollow metal doors - Device with Trim	6	2	Not Required
Wood, composite or non-reinforced hollow metal doors - EO (exit only device) LBR	3	2	2
Wood, composite or non-reinforced hollow metal doors - Device with Trim LBR	3	2	Not Required

Prices subject to change without notice

EXITS

 Pushpads

 Architectural /
 Heavy Duty

 24 Series

3' Devices are priced with standard trim and strikes, 4' add \$19 list, 2' (less label) add \$123 list. Cylinders are not included in the price.

EXIT HARDWARE
Concealed Vertical Rod Devices
 (Includes Strikes 4188 and 2130)

	Trim/Control	US28	US32D	313AN	US19* US26D	US26	US32	US10	US4	US3 643E* US15*
* 24-C-EO		1649	2059	1751	2016	2099	2140	2099	2140	2262
Delta Trim (handed and field reversible)										
24-C-DT	717DT	1840	2334	1986	2291	2374	2415	2290	2331	2537
24-C-DT	718DT	2018	2354	1962	2311	2394	2435	2468	2509	2557
* 24-C-NL	718NL*	1840	2334	1986	2291	2374	2415	2290	2331	2537
* 24-C-C	718C*	1798	2270	1942	2227	2310	2351	2248	2289	2473
Knob Control (handed and field reversible)										
24-C-K	711K	1828	2387	2011	2344	2427	2468	2278	2319	2590
24-C-K-BE	711K-BE	1828	2387	2011	2344	2427	2468	2278	2319	2590
24-C-K-NL	711K-NL	1828	2387	2011	2344	2427	2468	2278	2319	2590
Dane Lever Control (handed and field reversible)										
* 24-C-L	712L*	2009	2463	2129	2420	2503	2544	2459	2500	2666
* 24-C-L-BE	712L-BE*	2009	2463	2129	2420	2503	2544	2459	2500	2666
* 24-C-L-NL	712L-NL*	2009	2463	2129	2420	2503	2544	2459	2500	2666
* 24-C-L-DT	712L-DT*	2009	2463	2129	2420	2503	2544	2459	2500	2666

* These devices and 712L, 712L-BE, 712L-NL, 712L-DT, 718C, 718NL trims are available in 643E, US15 and US19 finishes.

REFERENCE NOTES:

24 Series ordered in 313AN will be supplied with trims in SP313.

Handing: All 24-C Devices and Trims are handed and field reversible. The Device and Trims are furnished RHR when handing is not specified.

Extension Rods: For door heights over 7'0" up to 8'0", 12" extension rods are furnished at no additional charge at the time of device order. Must specify door height on order line. For door heights over 8'0" up to 10'0" extension rods are furnished at prices shown in parts section with the device at the time of order. MUST specify door height on order line.

Sex Bolts:

Optional Sex Bolts are recommended for center case when device is used with light gauge hollow metal doors. See chart below for quantities and list prices.

Application	Device Sex Bolt 425 (Optional)	Device Sex Bolt 325 (Optional)	List Add
Light gauge hollow metal doors - EO (exit only device)	2	2	56
Light gauge hollow metal doors - Device with Trim	2	Not Required	28

Prices subject to change without notice

EXITS

Pushpads

Architectural /
Heavy Duty

24 Series

3' Devices are priced with standard trim and strikes, 4' add \$19 list, and 2' (less label) add \$123 list. Cylinders are not included in the price.

FIRE EXIT HARDWARE
Concealed Vertical Rod Devices
 (Includes Strikes 4188 and 2130)

	Trim/Control	US28	US32D	313AN	US19* US26D	US26	US32	US10	US4	US3 643E* US15*
* F-24-C-EO		1850	2260	1952	2217	2300	2341	2300	2341	2463
Delta Trim (handed and field reversible)										
F-24-C-DT	717DT	2041	2535	2187	2492	2575	2616	2491	2532	2738
F-24-C-DT	718DT	2219	2555	2163	2512	2595	2636	2669	2710	2758
* F-24-C-NL	718NL*	2041	2535	2187	2492	2575	2616	2491	2532	2738
* F-24-C-C	718C*	1999	2471	2143	2428	2511	2552	2449	2490	2674
Knob Control (handed and field reversible)										
F-24-C-K	711K	2029	2588	2212	2545	2628	2669	2479	2520	2791
F-24-C-K-BE	711K-BE	2029	2588	2212	2545	2628	2669	2479	2520	2791
F-24-C-K-NL	711K-NL	2029	2588	2212	2545	2628	2669	2479	2520	2791
Dane Lever Control (handed and field reversible)										
* F-24-C-L	712L*	2210	2664	2330	2621	2704	2745	2660	2701	2867
* F-24-C-L-BE	712L-BE*	2210	2664	2330	2621	2704	2745	2660	2701	2867
* F-24-C-L-NL	712L-NL*	2210	2664	2330	2621	2704	2745	2660	2701	2867
* F-24-C-L-DT	712L-DT*	2210	2664	2330	2621	2704	2745	2660	2701	2867

* These devices and 712L, 712L-BE, 712L-NL, 712L-DT, 718C, 718NL trims are available in 643E, US15 and US19 finishes.

REFERENCE NOTES:

24 Series ordered in 313AN will be supplied with trims in SP313.

Handing: All F-24-C Devices and Trims are handed and field reversible. The Device and Trims are furnished RHR when handing is not specified.

Extension Rods: For door heights over 7'0" up to 8'0", 12" extension rods are furnished at no additional charge at the time of device order. For door heights over 8'0" up to 10'0" extension rods are furnished at prices shown in parts section with the device at the time of order. MUST specify door height on order line.

Sex Bolts:

Sex Bolts are supplied for center case mounting when device is used with non-reinforced hollow metal doors. See chart below for quantities.

Application	Device Sex Bolt 425 (Supplied)	Device Sex Bolt 325 (Supplied)
Non-reinforced hollow metal doors - EO (exit only device)	2	2
Non-reinforced hollow metal doors - Device with Trim	2	Not Required

Prices subject to change without notice

3' Devices are priced with standard trim and strikes, 4' add \$19 list, 2' (less label) add \$123 list. Cylinders are not included in the price.

EXIT HARDWARE

Wood Door Concealed Vertical Rod Devices
(Includes Strikes 4188 and 2130)

	Trim/Control	US28	US32D	313AN	US19* US26D	US26	US32	US10	US4	US3 643E* US15*
* 24-CWDC-EO		2009	2509	2134	2456	2556	2607	2556	2607	2757
Delta Trim (handed and field reversible)										
24-CWDC-DT	717DT	2200	2784	2369	2731	2831	2882	2747	2798	3032
24-CWDC-DT	718DT	2378	2804	2345	2751	2851	2902	2925	2976	3052
* 24-CWDC-NL	718NL*	2200	2784	2369	2731	2831	2882	2747	2798	3032
* 24-CWDC-C	718C*	2158	2720	2325	2667	2767	2818	2705	2756	2968
Knob Control (handed and field reversible)										
24-CWDC-K	711K	2188	2837	2394	2784	2884	2935	2735	2786	3085
24-CWDC-K-BE	711K-BE	2188	2837	2394	2784	2884	2935	2735	2786	3085
24-CWDC-K-NL	711K-NL	2188	2837	2394	2784	2884	2935	2735	2786	3085
Dane Lever Control (handed and field reversible)										
* 24-CWDC-L	712L*	2369	2913	2512	2860	2960	3011	2916	2967	3161
* 24-CWDC-L-BE	712L-BE*	2369	2913	2512	2860	2960	3011	2916	2967	3161
* 24-CWDC-L-NL	712L-NL*	2369	2913	2512	2860	2960	3011	2916	2967	3161
* 24-CWDC-L-DT	712L-DT*	2369	2913	2512	2860	2960	3011	2916	2967	3161

* These devices and 712L, 712L-BE, 712L-NL, 712L-DT, 718C, 718NL trims are available in 643E, US15 and US19 finishes.

REFERENCE NOTES:

24 Series ordered in 313AN will be supplied with trims in SP313.

Handing: All 24-CWDC Devices and Trims are handed and field reversible. The Device and Trims are furnished RHR when handing is not specified.

Extension Rods: For door heights over 7'0" up to 8'0", 12" extension rods are furnished at no additional charge at the time of device order. For door heights over 8'0" up to 10'0" extension rods are furnished at prices shown in parts section with the device at the time of order. MUST specify door height on order line.

Sex Bolts:

Optional Sex Bolts are recommended for center case when device is used with hollow core or composite doors. See chart below for quantities and list prices.

Application	Device Sex Bolt 425 (Optional)	Device Sex Bolt 325 (Optional)	List Add
Hollow core or composite doors - EO (exit only device)	2	2	56
Hollow core or composite doors - Device with Trim	2	Not Required	28

Prices subject to change without notice

EXITS

Pushpads

Architectural / Heavy Duty

24 Series

3' Devices are priced with standard trim and strikes, 4' add \$19 list, 2' (less label) add \$123 list. Cylinders are not included in the price.

FIRE EXIT HARDWARE

Wood Door Concealed Vertical Rod Devices

(Includes Strikes 4188 and 2130)

	Trim/Control	US28	US32D	313AN	US19* US26D	US26	US32	US10	US4	US3 643E* US15*
* F-24-CWDC-EO		2210	2710	2335	2657	2757	2808	2757	2808	2958
Delta Trim (handed and field reversible)										
F-24-CWDC-DT	717DT	2401	2985	2570	2932	3032	3083	2948	2999	3233
F-24-CWDC-DT	718DT	2579	3005	2546	2952	3052	3103	3126	3177	3253
* F-24-CWDC-NL	718NL*	2401	2985	2570	2932	3032	3083	2948	2999	3233
* F-24-CWDC-C	718C*	2359	2921	2526	2868	2968	3019	2906	2957	3169
Knob Control (handed and field reversible)										
F-24-CWDC-K	711K	2389	3038	2595	2985	3085	3136	2936	2987	3286
F-24-CWDC-K-BE	711K-BE	2389	3038	2595	2985	3085	3136	2936	2987	3286
F-24-CWDC-K-NL	711K-NL	2389	3038	2595	2985	3085	3136	2936	2987	3286
Dane Lever Control (handed and field reversible)										
* F-24-CWDC-L	712L*	2570	3114	2713	3061	3161	3212	3117	3168	3362
* F-24-CWDC-L-BE	712L-BE*	2570	3114	2713	3061	3161	3212	3117	3168	3362
* F-24-CWDC-L-NL	712L-NL*	2570	3114	2713	3061	3161	3212	3117	3168	3362
* F-24-CWDC-L-DT	712L-DT*	2570	3114	2713	3061	3161	3212	3117	3168	3362

* These devices and 712L, 712L-BE, 712L-NL, 712L-DT, 718C, 718NL trims are available in 643E, US15 and US19 finishes.

REFERENCE NOTES:

Consult wood door manufacturer for listing compatibility.

24 Series ordered in 313AN will be supplied with trims in SP313.

Handing: All F-24-CWDC Devices and Trims are handed and field reversible. The Device and Trims are furnished RHR when handing is not specified.

Extension Rods: For door heights over 7'0" up to 8'0", 12" extension rods are furnished at no additional charge at the time of device order.

For door heights over 8'0" up to 10'0" extension rods are furnished at prices shown in parts section with the device at the time of order.

MUST specify door height on order line.

Sex Bolts:

Sex Bolts are supplied for center case mounting when device is used with hollow core or composite doors. See chart below for quantities.

Application	Device Sex Bolt 425 (Supplied)	Device Sex Bolt 325 (Supplied)
Hollow core or composite doors - EO (exit only device)	2	2
Hollow core or composite doors - Device x Trim	2	Not Required

Prices subject to change without notice

Cylinder Dogging

Not for use with Fire Exit Hardware

Prefix		List Add
CD	Cylinder Dogging available on all 24 series Panic Devices.	67
LD	Less Dogging available on all 24 series Panic Devices.	N/C

Less Bottom Rod

Suffix		List Add
LBR	Less Bottom Rod available with UL Fire Label at no additional charge on F-24-V and F-24-C devices. Fire rated LBR devices must be ordered in pairs of Vertical Rod Devices. For Fire Rated Devices specify one device LBR and second device LBR-AFL. Second device provided with a Fire Pin.	N/C

Electric Latch Retraction

Prefix		List Add
EL	Electric Latch Retraction - Available on all 24 series Panic and Fire Devices. Electrical Latch cannot be used in combination with CD, EA or KOR options.	821
MEL	Motorized Electric Latch Retraction - Available on all 24 series Panic and Fire Devices. Motorized Electric Latch Retraction cannot be used in combination with AX, HD, CD, EA, or KOR options.	754

REFERENCE NOTE:

PS914 is required for EL operation. See Power Supply section for more detail.

Device Monitoring

Prefix		List Add
RX	Touch Bar Request to Exit Switch available on all 24 series devices. RX device monitoring switch can be used in combination with a second DM or LM switch (except for 24-R panic and fire).	215
KOR	Key Override - Override device monitoring on a door by use of a keyed cylinder. KOR must be used in combination with a device monitoring switch.	60

Exit Alarm

Prefix		List Add
EA	Exit Alarm available on 24R, 24V, 24C, and 24C-WDC Panic and Fire Devices. Price includes switch - "RX" is standard, "DC" is optional at no charge. To order "Less Switch", Deduct \$215 list.	533

Allegion Connect

Suffix		List Add
CON	Cross-category solution using common interconnect components for electrified options. Available with MEL, MEL-RX, EL, RX, EA, EL-RX, options.	N/C

NOTE: For wire harness options refer to Power Supply and Electronic Component Section.

EXITS

Pushpads

Architectural / Heavy Duty

24 Series

Prices subject to change without notice

Cylinders are not included in price unless noted.

Athena Trim

Model No.	Device Type	Description	US4, US10, SP28	SP313	US15	US3, US26 US26D
715DT	R, V	Dummy Trim	132	243	243	243

Control Trim

Model No.	Device Type	Description	US4, US10, SP28	SP313	US3, US15, US26, US26D,
711K	R, V	Knob, Key Locks or Unlocks	179	260	328
711K	C	Knob, Key Locks or Unlocks	179	260	328
711K-BE	R, V	Knob, Blank Escutcheon	179	260	328
711K-BE	C	Knob, Blank Escutcheon	179	260	328
711K-NL	R, V	Knob, Night Latch	179	260	328
711K-NL	C	Knob, Night Latch	179	260	328

711 series trim are handed and field reversible. Trims are furnished RHR when handing is not specified.

Delta Controls

Model No.	Device Type	Description	US4, US10, SP28	SP313	US3, US15, US19, US26, US26D
717DT	R, V	Dummy Trim	191	235	275
717DT	C	Dummy Trim	191	235	275

717 series trim are handed and field reversible. Trims are furnished RHR when handing is not specified.

Delta Controls

Model No.	Device Type	Description	US4, US10, SP28	SP313	US3, 643E* US15, US19*, US26 US26D
718DT	C	Dummy Trim	369	211	295
718NL*	R, V	Night Latch	191	235	275
718NL*	C	Night Latch	191	235	275
718C*	R, V	Night Latch Less Pull	149	191	211
718C*	C	Night Latch Less Pull	149	191	211

*** Available in 643E and US19.**

718 series trim are handed and field reversible. Trims are furnished RHR when handing is not specified.

Control Lever Trims

Model No.	Device Type	Description	US4, US10, SP28	SP313	US3, 643E* US15, US19*, US26 US26D
712L*	R, V	Dane Lever, Key Locks or Unlocks	360	378	404
712L*	C	Dane Lever, Key Locks or Unlocks	360	378	404
712L-BE*	R, V	Dane Lever, Blank Escutcheon	360	378	404
712L-BE*	C	Dane Lever, Blank Escutcheon	360	378	404
712L-NL*	R, V	Dane Lever, Night Latch	360	378	404
712L-NL*	C	Dane Lever, Night Latch	360	378	404
712L-DT*	R, V	Dane Lever, Dummy Trim	360	378	404
712L-DT*	C	Dane Lever, Dummy Trim	360	378	404

*** Available in 643E and US19.**

712 series trim are handed and field reversible. Trims are furnished RHR when handing is not specified.

The Dane Lever is furnished standard. Optional lever designs Sutro, Quantum, Avalon, Danish, Broadway, Boardwalk, Longitude, and Latitude are available at no additional charge.

24 Series ordered in US32D will be supplied with trims in US15.

Prices subject to change without notice

Rim Strikes

Model	Description	Unfinished	US19	US26D	US32D	US4	US10	SP313	US10B	US3	US26	US32
264	24/25-R Panic Devices - Opt.	-	108	126	-	-	-	-	-	-	-	-
299	24/25-R Panic Devices - Std.	-	66	78	-	78	-	78	-	102	102	-
299F	24/25-R Fire Devices - Std.	-	82	-	109	128	128	-	128	147	-	147
1439	24/25-R Panic Devices - Opt.	-	157	-	-	-	-	-	-	-	-	-
1606	24/25-R Panic Devices - Opt.	78	-	-	-	-	-	-	-	-	-	-
1609-D24	24-R Panic Devices - Opt. Must be used with a Coordinator. Not a UL fire exit hardware listed application.	-	108	-	-	-	-	-	-	-	-	-

Vertical Rod Top Strikes

Model	Description	Unfinished
3788	19/24/25/XX-V Panic and Fire Devices	56
4188	24/25/XX-C,CWDC Panic and Fire Devices	56

Vertical Rod Bottom Strikes

Model	Description	Unfinished
2130	19-V/24/25/XX-V,C Panic or Fire - Std.	56
4155	19-V/24/25/XX-V,C Panic	56

REFERENCE NOTES:

Refer to device catalogs for specific door application strike requirements.

Prices subject to change without notice

Cover Plates & Filler Plates

Model No.	Description	Unfinished
3722	Strike cover - ASA 4-7/8"	13
3723	Mortise front - 8" x 1-1/4"	13
3721	Lock front - 2-1/4" x 1-1/8"	13

Cylinders

Model No.	Description	US26D	US3, US4, US10, US10B US32, US32D
985	1-1/8" Mortise Cylinder with Straight Cam #24	66	68
986	1-1/4" Mortise Cylinder with Straight Cam #24	66	68
951	Rim Cylinder	66	68
C987	1-3/8" Interchangeable Core Mortise Cylinder Housing	41	43
C953	Interchangeable Core Rim Cylinder Housing	43	45

REFERENCE NOTES:

Interchangeable Core Cylinder Housing uses #5 cam.
 Custom Keying not available. Falcon G - default keyway.
 Cylinder type needed is determined by trim function.
 IC Cylinder Housings sold LESS SFIC

Cylinder Dogging Kits

Model No.	Description	Part No.	US3, US4, US10, US26, US26D, US28, US32D, 313AN
24CDK-3	24 Series - 3' device	650155	67
24CDK-4	24 Series - 4' device	650156	67

REFERENCE NOTES:

Cylinder Sold Separately.

When a device is ordered "with CD with Cylinder" a 1-1/4" mortise cylinder (986 Falcon G x straight cam KD) is supplied for CD.
 CD Kits can also pair with a 1-1/8" mortise cylinder (985 Falcon G x straight cam KD). Must be ordered separately.

Prices subject to change without notice

Dummy Touch Bars

3' Device pricing below, 4' add \$19 list.

Model No.	Description	SP28 SP313	US4 US10	US32D	US3, US32, US15, US19, 643e, US26, US26D
250DT	24/25 Series Dummy Touch Bar	355	393	447	510

Optional Features:

Prefix	Description	List Add
RX	Touchbar Request to Exit Switch - For D250 only	215
KOR	Key Override device monitoring on a door by use of a keyed cylinder - For D250 only	60

Extension Rods

Part No.	Description	All Finishes
650006	24/25/19/XX-V Extension Rod 12" (ER12-V)	23
650007	24/25/19/XX-V Extension Rod 24" (ER24-V)	40
650008	24/25/19/XX-V Extension Rod 36" (ER36-V)	64
650017	24/25/XX-C, CWDC Extension Rod 12" (ER12-C)	23
650018	24/25/XX-C, CWDC Extension Rod 24" (ER24-C)	40
650019	24/25/XX-C, CWDC Extension Rod 36" (ER36-C)	64

REFERENCE NOTES:

- 1) Surface Vertical and Concealed Vertical Rod Devices for door heights over 7'0" up to 8'0", 12" extension rods are furnished at no additional charge at the time of device order. Must specify door height on order line.
- 2) For door heights over 8'0" up to 10'0" extension rods are furnished at prices shown above with the device at the time of order. MUST specify door height on order line.
- 3) Replacement extension rods can be ordered individually by the part numbers listed above.

Electric and Alarm Kits

Model No.	Description	Part #	Part Number w/ Allegion Connect (-CON)	US3, US4, US10, US19, US26, US26D, US28, US32D, 313AN
24-EAK-3	24 Series Exit Alarm Kit 3'	650163	650704	533
24-EAK-4	24 Series Exit Alarm Kit 4'	650164	650705	533

Model No.	Description	Part #	US3, US4, US10, US19, US26, US26D, US32D, SP28, SP313
ELK-3	24/25 Electric Latch Retraction Kit 3'	650147	821
ELK-4	24/25 Electric Latch Retraction Kit 4'	650148	821

Model No.	Description	Part #	Part Number w/ Allegion Connect (-CON)	US3, US4, US10, US26, US26D, US28, US32D, SP313
24-MELK-3	24 Motorized Electric Latch Retraction Kit 3'	47266632	47270548	754
24-MELK-4	24 Motorized Electric Latch Retraction Kit 4'	47266633	47270549	754

NOTE: MEL kit cannot be used to convert an EL device.

Model No.	Description	Part #	Unfinished
24/25 RX KIT	24/25 Series RX Switch Kit	650359	265

Prices subject to change without notice

EXITS

Pushpads

Architectural /
Heavy Duty

24 Series

Shim Kits

Model No.	Description	Part #	US19
SK24-R	24 Rim Shim Kit - 1/4"	650109	71
SK24-V-8	24 Surface Vertical Shim Kit - 1/4" - over 7' up to 8' doors	650110	71
SK24-V-10	24 Surface Vertical Shim Kit - 1/4" - over 8' up to 10' doors	650208	71

REFERENCE NOTES:

All shim kits for use on door thicknesses up to 2". Consult factory for door thickness over 2"

SLM Blocking

For use with devices on doors with special high density blocking material. Blocking material must be UL or Warnock Hersey approved.

Model No.	Description	Part #	Unfinished
F-24-R/C	F-24 Rim/Concealed Vertical SLM Blocking Kit	600333	20
F-24-V	F-24 Surface Vertical SLM Blocking Kit	600334	22

Prices subject to change without notice

(F) 24 Exit Devices

Part No.	Description	Unfin- ished	US28	US32D	313AN	US26D	US10 US26 US32	US4	US3	US19
650234	(F) 24-R Center Case Kit	649.00	-	-	-	-	-	-	-	-
650236	(F) 24-V Center Case Kit	270.00	-	-	-	-	-	-	-	-
650238	(F) 24-C Center Case Kit RHR	260.00	-	-	-	-	-	-	-	-
090978	(F) 24-C Center Case Kit LHR	260.00	-	-	-	-	-	-	-	-
650247	24-R Center Case Cover Kit	-	132.00	164.00	141.00	162.00	168.00	174.00	181.00	162.00
650249	F-24-R Center Case Cover Kit	-	132.00	164.00	141.00	162.00	168.00	174.00	181.00	162.00
650251	(F) 24-V Center Case Cover Kit	-	132.00	164.00	141.00	162.00	168.00	174.00	181.00	162.00
650253	(F) 24-C Center Case Cover Kit	-	132.00	164.00	141.00	162.00	168.00	174.00	181.00	162.00
600307	24 Series Center Case Cover Mtg Pkg	-	-	-	12.00	-	12.00	12.00	12.00	-
661408	24 Series Channel 3' Door	-	87.00	108.00	94.00	104.00	108.00	111.00	120.00	-
661409	24 Series Channel 4' Door	-	109.00	139.00	114.00	138.00	141.00	144.00	148.00	-
650121	F-24 Series Channel Cover 3'	-	42.00	42.00	42.00	42.00	42.00	42.00	42.00	-
650122	F-24 series Channel Cover 4'	-	47.00	47.00	47.00	47.00	47.00	47.00	47.00	-
650116	24 Series CD Channel Cover 4'	-	59.00	59.00	59.00	59.00	59.00	59.00	59.00	-
650117	24 Series CD Channel Cover 3'	-	52.00	52.00	52.00	52.00	52.00	52.00	52.00	-
650131	24 Series EA Channel Cover 3'	-	79.00	79.00	79.00	79.00	79.00	79.00	79.00	-
650132	24 Series EA Channel Cover 4'	-	90.00	90.00	90.00	90.00	90.00	90.00	90.00	-
650139	24 Series KOR Channel Cover 3'	-	67.00	67.00	67.00	67.00	67.00	67.00	67.00	-
650140	24 Series KOR Channel Cover 4'	-	71.00	71.00	71.00	71.00	71.00	71.00	71.00	-
650187	24 Series Hex Dogging Kit 3'	-	70.00	70.00	70.00	70.00	70.00	70.00	70.00	70.00
650188	24 Series Hex Dogging Kit 4'	-	74.00	74.00	74.00	74.00	74.00	74.00	74.00	74.00
610480	24 Panic Dogging Housing	20.00	-	-	-	-	-	-	-	-
060109	24 Hex Dogging Key 7/32" (Pkg of 10)	15.00	-	-	-	-	-	-	-	-
650294	24 Channel End Cap Kit 1-3/4" Door	-	33.00	41.00	37.00	40.00	42.00	42.00	44.00	-
650348	24 Channel End Cap Kit 2-1/4" Door	-	33.00	41.00	37.00	40.00	42.00	42.00	44.00	-
600305	24 Series Channel Screw Pkg	17.00	-	-	-	-	-	-	-	-
600310	24 Series Push Bar End Cap Kit	-	37.00	43.00	38.00	42.00	43.00	44.00	48.00	-
600319	24 Series Push Bar Guide Pkg	12.00	-	-	-	-	-	-	-	-
650324	(F) 24-R Mounting Pkg 1-3/4" Door	32.00	-	-	-	-	-	-	-	-
650302	(F) 24-R Mounting Pkg 2-1/4" Door	31.00	-	-	-	-	-	-	-	-
650304	24-V Mounting Pkg 1-3/4" - 2-1/4" Door	47.00	-	-	-	-	-	-	-	-
650325	F-24-V Mounting Pkg 1-3/4" Door	47.00	-	-	-	-	-	-	-	-
650201	F-24-V Mounting Pkg 2-1/4" Door	47.00	-	-	-	-	-	-	-	-
650318	24-C Mounting Pkg 1-3/4" Door	32.00	-	-	-	-	-	-	-	-
650300	24-C Mounting Pkg 2-1/4" Door	32.00	-	-	-	-	-	-	-	-
650317	F-24-C Mounting Pkg 1-3/4" Door	32.00	-	-	-	-	-	-	-	-
650346	F-24-C Mounting Pkg 2-1/4" Door	32.00	-	-	-	-	-	-	-	-
650326	24-CWDC Mounting Pkg 1-3/4" Door	-	-	68.00	68.00	-	-	68.00	-	-
650298	24-CWDC Mounting Pkg 2-1/4" Door	-	-	68.00	68.00	-	-	68.00	-	-
650327	F-24-CWDC Mounting Pkg 1-3/4" Door	68.00	-	-	-	-	-	-	-	-
060111	Cotter Key 1/8" x 1" (Package of 10)	15.00	-	-	-	-	-	-	-	-
600320	EL Solenoid Pkg	193.00	-	-	-	-	-	-	-	-
600321	EL Plunger Solenoid Pkg	73.00	-	-	-	-	-	-	-	-
650359	24/25 Series RX Switch Kit	265.00	-	-	-	-	-	-	-	-
050534	EL Potted Circuit Breaker	327.00	-	-	-	-	-	-	-	-
650265	Exit Alarm Label - Service	11.00	-	-	-	-	-	-	-	-
650716	Old Style Falcon 24 Vertical LM Switch Replacement Kit	258.00	-	-	-	-	-	-	-	-
650713	LM Switch Replacement Kit	222.00	-	-	-	-	-	-	-	-
650712	LM Con Switch Replacement Kit	233.00	-	-	-	-	-	-	-	-
650717	Old Style Falcon 24 Vertical DM Switch Replacement Kit	265.00	-	-	-	-	-	-	-	-
650715	DM Switch Replacement Kit	233.00	-	-	-	-	-	-	-	-
650714	DM Con Switch Replacement Kit	243.00	-	-	-	-	-	-	-	-
114320	MEL motor cable	13.00	-	-	-	-	-	-	-	-
47269206	MEL motor cable with 6' cable	62.00	-	-	-	-	-	-	-	-
106198	MEL 6" Allegion Connect adapter cable	13.00	-	-	-	-	-	-	-	-
040069	MEL motor cable with MEL 6" Allegion Connect adapter cable	62.00	-	-	-	-	-	-	-	-
47270296	24 Series 3' MEL channel cover plate	-	104.00	104.00	104.00	104.00	104.00	104.00	104.00	104.00
47270297	24 Series 4' MEL channel cover plate	-	109.00	109.00	109.00	109.00	109.00	109.00	109.00	109.00
47266852	MEL motor mounting screws, pkg. of 2	21.00	-	-	-	-	-	-	-	-

Prices subject to change without notice

EXITS

Pushpads

Architectural / Heavy Duty

24 Series

(F) 24 Exit Devices - Latches and Rods

Part No.	Description	Unfinished	SP28	US32D	313AN	US26D	US10 US26 US32
650389	24-V Top Latch Case	126.00	-	-	-	-	-
650375	F-24-V Top Latch Case	130.00	-	-	-	-	-
650202	24-V Latch Case Cover Kit	-	73.00	73.00	95.00	95.00	95.00
650336	24-V Latch Case Cover Mounting Pkg	-	10.00	10.00	10.00	10.00	10.00
650311	24-V Rod Guide Kit	-	56.00	59.00	-	71.00	52.00
650387	24-V Bottom Bolt Guide (Latch cover sold separately)	11.00	-	-	-	-	-
4450	24-V Top Rod Kit	-	95.00	95.00	95.00	95.00	95.00
610056	24-V Bottom Rod Kit	-	128.00	128.00	128.00	128.00	128.00
603	24-C, C-WDC Top Latch Case	216.00	-	-	-	-	-
F603	F-24-C Top Latch Case	300.00	-	-	-	-	-
WF603	F-24-CWDC Top Latch Case	300.00	-	-	-	-	-
650339	(F) 24-C, CWDC Top Latch Release Kit	-	42.00	42.00	42.00	42.00	37.00
4567	24-C Bottom Bolt Guide	51.00	-	-	-	-	-
4835	24-CWDC Bottom Bolt Guide	47.00	-	-	-	-	-
4694	F-24-CWDC Latch Bracket	11.00	-	-	-	-	-
650351	(F) 24-C, CWDC Center Slide Assy	312.00	-	-	-	-	-
4833	24-CWDC Reinforcement Plate	-	34.00	46.00	34.00	46.00	46.00
4834	24-CWDC Reinforcement Plate w/ Access Hole	-	34.00	46.00	34.00	46.00	46.00
610061	(F) 24-C, CWDC Top Rod Kit	95.00	-	-	-	-	-
610057	(F) 24-C, CWDC Bottom Rod Kit	128.00	-	-	-	-	-
5494	F-24-C Auxiliary Fire Pin Kit (LBR application only)	162.00	-	-	-	-	-
660002	#10 x 1 1/4" FPHSMS Clear Zinc	10.00	-	-	-	-	-

EXITS

Pushpads

Architectural /
Heavy Duty

24 Series

Prices subject to change without notice

24 Series Trim

Part No.	Description	Unfinished	SP28 SP313	US26D US32D	US10 US26	US4 US32	US3
4120	710NL, 718C/NL Cylinder Spacer Collar	10.00	-	-	-	-	-
4121	710NL, 718C/NL Cylinder Anchor Plate	10.00	-	-	-	-	-
661560	700/900 Locking Plate	20.00	-	-	-	-	-
4270	700 Series Trim Hex Stud	10.00					
4349	Control Hex Stud	10.00	-	-	-	-	-
650314	700/900 Lever Actuator Spring	10.00	-	-	-	-	-
661567	700/900 Locking Spring	20.00	-	-	-	-	-
600288	717/718/719 Pull Grip Screw Pkg	10.00					
650366	TP/K/L Actuator Shaft Assembly	10.00	-	-	-	-	-
650313	710TP Retainer Plate	32.00	-	-	-	-	-
650312	711/712-R/V Retainer Plate	38.00	-	-	-	-	-
060136	700/900 Output Cam Pkg 2-1/4" Dr	44.00	-	-	-	-	-
060137	700/900 Output Cam Pkg 1-3/4" Dr	44.00	-	-	-	-	-
650151	715DT Mtg Pkg 1-3/4"	30.00	-	-	-	-	-
650152	715DT Mtg Pkg 2-1/4"	-	14.00	14.00	14.00	14.00	14.00
650153	717DT Mtg Pkg 1-3/4"	-	14.00	14.00	14.00	14.00	14.00
650154	717DT Mtg Pkg 2-1/4"	-	10.00	10.00	10.00	10.00	10.00
650157	710DT Mtg Pkg 1-3/4"	-	10.00	10.00	10.00	10.00	10.00
650158	710DT Mtg Pkg 2-1/4"	-	10.00	10.00	10.00	10.00	10.00
650161	710NL Mtg Pkg 1-3/4"	-	10.00	10.00	10.00	10.00	10.00
650162	710NL Mtg Pkg 2-1/4"	-	24.00	24.00	24.00	24.00	24.00
650165	710TP Mtg Pkg 1-3/4"	-	24.00	24.00	24.00	24.00	24.00
650166	710TP Mtg Pkg 2-1/4"	-	14.00	14.00	14.00	14.00	14.00
650169	718C/NL-R/V Mtg Pkg 1-3/4"	-	14.00	14.00	14.00	14.00	14.00
650170	718C/NL-R/V Mtg Pkg 2-1/4"	-	14.00	14.00	14.00	14.00	14.00
650173	718NL-C Mtg Pkg 1-3/4"	-	14.00	14.00	14.00	14.00	14.00
650174	718NL-C Mtg Pkg 2-1/4"	-	32.00	32.00	32.00	32.00	32.00
650177	718C-CV Mtg Pkg 1-3/4"	-	32.00	32.00	32.00	32.00	32.00
650178	718C-CV Mtg Pkg 2-1/4"	-	32.00	32.00	32.00	32.00	32.00
650181	718DT Mtg Pkg 1-3/4"	-	32.00	32.00	32.00	32.00	32.00
650182	718DT Mtg Pkg 2-1/4"	-	10.00	10.00	10.00	10.00	10.00
650185	718TP Mtg Pkg 1-3/4"	-	10.00	10.00	10.00	10.00	10.00
650186	718TP Mtg Pkg 2-1/4"	-	10.00	10.00	10.00	10.00	10.00
650189	711/712/719 Mtg Pkg 1-3/4"	-	10.00	10.00	10.00	10.00	10.00
650190	711/712/719 Mtg Pkg 2-1/4"	10.00	-	-	-	-	-
650327	F-24 CWDC SERV Mtg Pkg	10.00	-	-	-	-	-
600339	700/900 NL Spring Pkg	68.00	-	-	-	-	-
600283	Shear Pin, package of 5	10.00	-	-	-	-	-
		11.00	-	-	-	-	-

24 Series Trim

Part No.	Description	Unfinished	SP28	SP313	US26D US32D	US10 US26	US4 US32	US3
600298	Knob Assy	-	146.00	155.00	181.00	186.00	190.00	201.00
600299	Dane Lever Kit	-	108.00	113.00	138.00	140.00	142.00	148.00
600300	Sutro Lever Kit	-	108.00	113.00	138.00	140.00	142.00	148.00
600301	Quantum Lever Kit	-	108.00	113.00	138.00	140.00	142.00	148.00
600337	Avalon Lever Kit	-	174.00	176.00	176.00	240.00	176.00	240.00

Prices subject to change without notice

Part No.	Description	List Price
650277	24/25 Maintenance Kit (See below for what is supplied in Kit)	1,935.00

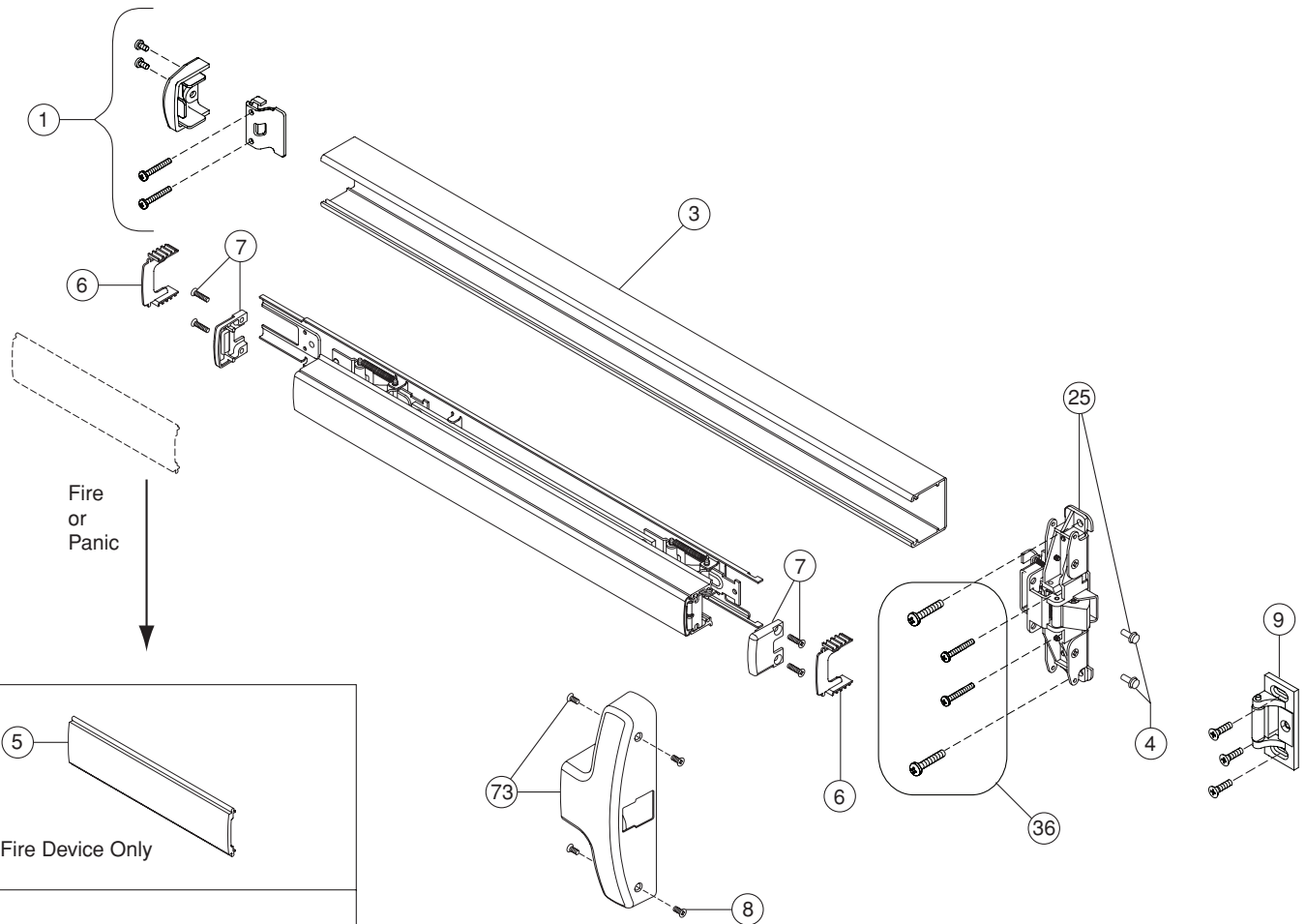
Refill Parts/Packages

Part No.	Description	Refill List Price Each	Kit Contents Qty
299 Strike	299 Strike US19	66.00	5
325 SNB	325 Sex Bolt, 1/4-20 US32D (Pkg of 2)	28.00	10
425 SNB	425 Sex Bolt, 10-24 US32D (Pkg of 2)	28.00	10
4208	CD/EA/KOR Cylinder Retaining Bracket	10.00	30
060126	512/718 Lever Washer (Pkg of 10)	10.00	1
3894-000	Cylinder Nut BRS	10.00	10
650311	Rod Guide Kit US32D	59.00	6
650311	Rod Guide Kit SP28	56.00	2
650311	Rod Guide Kit SP313	59.00	2
060109	Hex Dogging Key 7/32" (Pkg of 10)	15.00	1
650231	512 Mtg Pkg US4 1-3/4" Dr	10.00	2
650231	512 Mtg Pkg US10B 1-3/4" Dr	10.00	2
650231	512 Mtg Pkg US26D 1-3/4" Dr	10.00	6
650294	24/25 End Cap Kit US32D 1-3/4" Dr.	41.00	6
650294	24/25 End Cap Kit US26D 1-3/4" Dr.	40.00	2
650294	24/25 End Cap Kit SP28 1-3/4" Dr.	33.00	1
650294	24/25 End Cap Kit SP313 1-3/4" Dr.	37.00	1
600283	511 Trim Shear Pin (Pkg of 5)	11.00	6
640001	24 Device Plastic Mounting Template	10.00	2
640002	25 Device Plastic Mounting Template	10.00	2
650267	510/513 Trim Shear Pin (Pkg of 10)	26.00	3
060112	8500 Lock Housing Screws (Pkg of 10)	10.00	2
060113	24/25-C Latch Screw (Pkg of 10)	10.00	5
060114	Rod Guide Screws (Pkg of 10)	10.00	3
060119	510/511/512/513 Back Plate Screws (Pkg of 10)	10.00	5
600309	25 Lift Finger Screws (Pkg of 2)	11.00	10
600173	8500 Lock Face Screws US3/US4/US10	10.00	10
600173	8500 Lock Face Screws US26D/US32D	10.00	10
600173	8500 Lock Face Screws US10B	10.00	10
060120	8500 Lock Backplate Screws (Pkg of 10)	10.00	5
060121	24/25-V Latch Cover Screws US26D/US32D/US28 (Pkg of 10)	10.00	5
060121	24/25-V Latch Cover Screws US3/US4/US10 (Pkg of 10)	10.00	5
060121	24/25-V Latch Cover Screws US10B (Pkg of 10)	10.00	5
060123	Electric Option Dogging Screw (Pkg of 10)	10.00	5
060122	K-NL/L-NL Spindle Cam Screw (Pkg of 10)	12.00	2
060124	K/L/TL Trim Lock Nut (Pkg of 10)	10.00	1
600305	24/25 Channel Screw (Pkg of 10)	17.00	3
060111	Cotter Key 1/8" x 1" (Pkg of 10)	15.00	5
600279	Cylinder Nut Tool (Pkg of 5)	22.00	2
060125	FSE/FSE Trim Pivot Pin (Pkg of 10)	10.00	2
600319	24/25 Pushbar Guide (Pkg of 2)	12.00	10
600278	25 Trim Cylinder Locknut	12.00	10
060117	25 Center Case Mtg Screws (Pkg of 10)	10.00	5
060118	24 Center Case Housing Screws (Pkg of 10)	10.00	5
060116	25-R/M Device Mounting Screws (Pkg of 10)	10.00	5
060115	FSA/FSE Trim Screws (Pkg of 10)	10.00	5
600307	24/25 Center Case Cover Screws US3 (Pkg of 4)	12.00	12
600307	24/25 Center Case Cover Screws US4 (Pkg of 4)	12.00	12
600307	24/25 Center Case Cover Screws US10 (Pkg of 4)	12.00	12
600307	24/25 Center Case Cover Screws US10B (Pkg of 4)	12.00	12
600307	24/25 Center Case Cover Screws US26D/US32D/SP28 (Pkg of 4)	12.00	12
600277	510/513 Spindle Cam Ret. Ring (Pkg of 10)	11.00	2
600308	25 Housing Plate Screws (Pkg of 2)	11.00	2
970321	299 Strike Shim	14.00	20

Prices subject to change without notice

(F)24 Rim exit device

Panic and fire

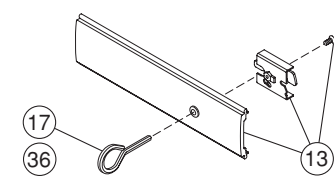
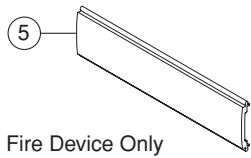


EXITS

Pushpads

Architectural / Heavy Duty

24 Series



Prices subject to change without notice

No.	Qty.	Part no.	Description	Package contents	Notes
1	1	650294	24 Channel Endcap Kit 1¾" Door	1- Channel Endcap	A
				2- #10-24 x 3/8" PPHMS	
				1- Channel Endcap Bracket	
				2- #10-24 x 1" PPHMS	
				2- #10 x 1¼" PPHSMS	
		650348	24 Channel Endcap Kit 2¼" Door	1- Channel Endcap	A
				2- #10-24 x 3/8" PPHMS	
				1- Channel Endcap Bracket	
				2- #10-24 x 1" PPHMS	
				2- #10 x 1¼" PPHSMS	
3	1	661408	24 Channel 3'		A
		661409	24 Channel 4'		
4	1	600305	24 Channel Screw Pkg	10- #10-16 x 1/2" Hex Washer Head Taptite	
5	1	650121	F-24 Channel Cover 3'		A, B
		650122	F-24 Channel Cover 4'		
6	1	600319	24 Pushbar Guide Pkg	2- Pushbar Guide	
7	1	600310	24 Pushbar Endcap Kit	2- Pushbar Endcap	A
				4- #8-18 x 3/4" FPHSMS	
8	1	600307	Center Case Cover Screw Pkg	4- #8-18 x 3/8" UFPHMS	A
9	1	299	299 Strike		C
13	1	650187	24 Hex Dogging Kit 3'	1- Panic Channel Cover 1- Dogging Subassembly	A, B
		650188	24 Hex Dogging Kit 4'	1- #8-32 x 3/8" UFPHMS	
17	1	060109	24 Panic Hex Dogging Key 7/32" package of 10		
25	1	650234	(F)24-R Center Case Kit	2- #10-16 x 1/2" Hex Washer Head Taptite	
36	1	650324	(F)24-R Mounting Pkg 1¾" Door	2- #10 x 1¼" PPHSMS	*
				2- #14 x 1" PPHSMS	*
				2- 1/4 - 20 x 3/4" PPHMS	
				2- 10-24 x 1½" PPHMS	
				1- Dogging Key	
	1	650302	(F)24-R Mounting Pkg 2¼" Door	2- #10 x 1¼" PPHSMS	*
				2- #14 x 1" PPHSMS	*
				2- 1/4 - 20 x 1¼" PPHMS	*
				2- #10-24 x 2" PPHMS	*
73	1	650247	24-R Center Case Cover Kit	1- Center Case Cover	A
		650249	F-24-R Center Case Cover Kit	4- #8-18 x 3/8" UFPHMS	

* Item(s) not shown

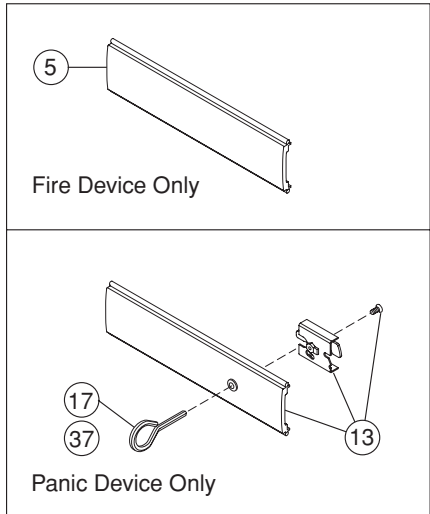
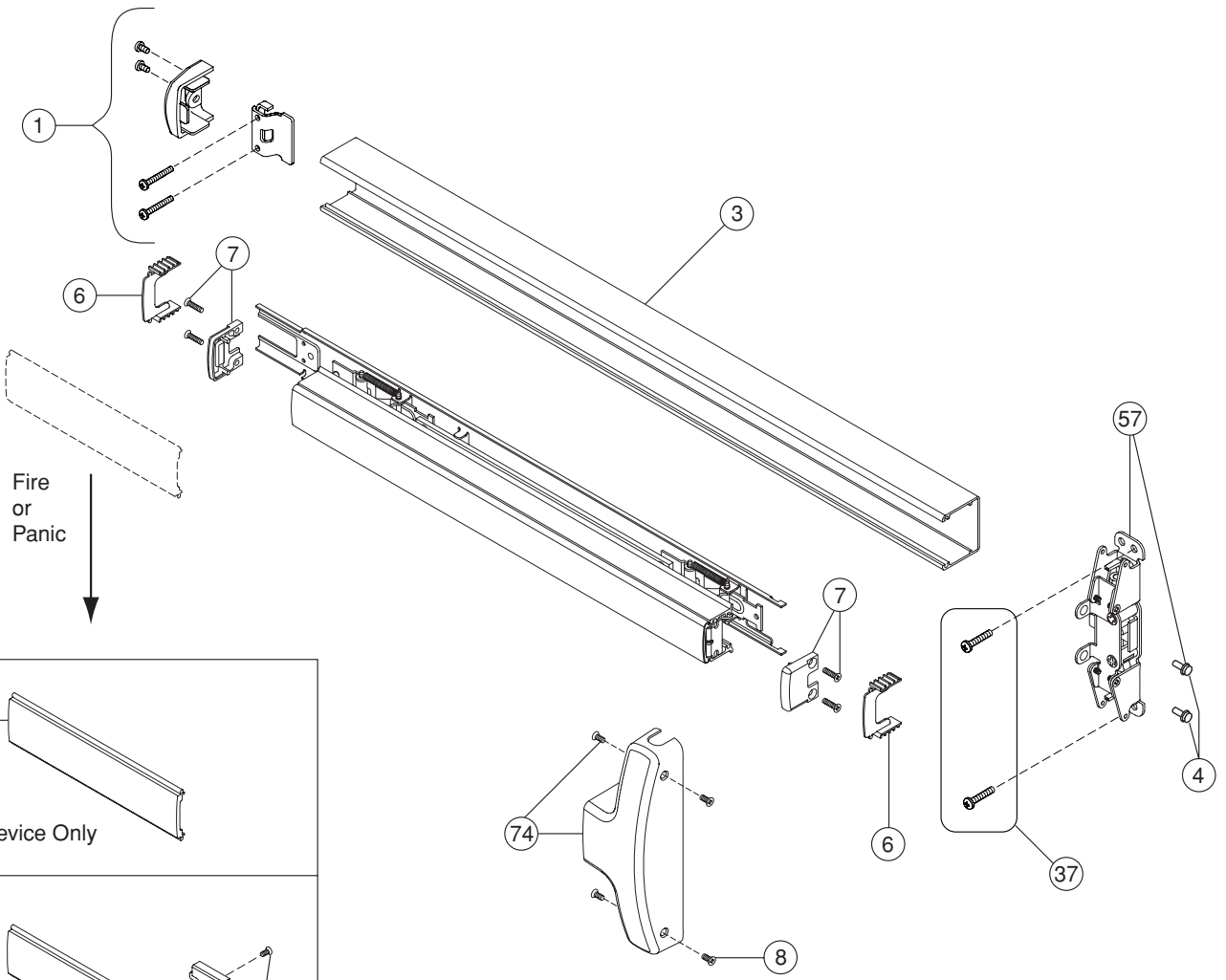
A Specify by finish: US3, US4, US10, 313AN, US26, US32, US26D, US32D, US28

B Specify by finish: US3, US4, US10, US19, US26, US26D, SP313

Prices subject to change without notice

(F)24-V Surface vertical rod exit device

Panic and fire



EXITS

Pushpads

Architectural / Heavy Duty

24 Series

Prices subject to change without notice

No.	Qty.	Part no.	Description	Package contents	Notes
1	1	650294	24 Channel Endcap Kit 1¾" Door	1- Channel Endcap	A
				2- #10-24 x ¾" PPHMS	
				1- Channel Endcap Bracket	
				2- #10-24 x 1" PPHMS	
				2- #10 x 1¼" PPHSMS	
1	1	650348	24 Channel Endcap Kit 2¼" Door	1- Channel Endcap	A
				2- #10-24 x ¾" PPHMS	
				1- Channel Endcap Bracket	
				2- #10-24 x 1" PPHMS	
				2- #10 x 1¼" PPHSMS	
3	1	661408	24 Channel 3'		A
		661409	24 Channel 4'		
4	1	600305	24 Channel Screw Pkg	10- #10-16 x ½" Hex Washer Head Taptite	
5	1	650121	F-24 Channel Cover 3'		A, B
		650122	F-24 Channel Cover 4'		
6	1	600319	24 Pushbar Guide Pkg	2- Pushbar Guide	
7	1	600310	24 Pushbar Endcap Kit	2- Pushbar Endcap	A
				4- #8-18 x ¾" FPHSMS	
8	1	600307	Center Case Cover Screw Pkg	4- #8-18 x ¾" UFPHMS	A
13	1	650187	24 Hex Dogging Kit 3'	1- Panic Channel Cover 1- Dogging Subassembly	A, B
		650188	24 Hex Dogging Kit 4'	1- #8-32 x ¾" UFPHMS	
17	1	060109	24 Panic Hex Dogging Key 7/32" package of 10		
37	1	650304	24-V Mounting Pkg 1¾" - 2¼" Door	4- #10 x 1¼" PPHSMS	*
				2- #10 x 1¼" FPHSMS	*
				2- #14 x 1" PPHSMS	*
				1- ½ x 1" Cotter Key	*
				1- Dogging Key	
		650325	F-24-V Mounting Pkg 1¾" Door	2- #10-24 x ¾" PPHMS	*
				4- #10-24 x ¾" FPHMS	*
				2- 1/4-20 x ¾" PPHMS	
		650201	F-24-V Mounting Pkg 2¼" Door	1- ½ x 1" Cotter Key	*
				2- #10-24 x 1¼" PPHMS	*
				4- #10-24 x 1¼" FPHMS	*
				2- 1/4-20 x 1¼" PPHMS	*
				1- ½" x 1" Cotter Key	*
57	1	650236	(F)24-V Center Case Kit	1- Center Case	A
				2- #10-16 x ½" Hex Washer Head Taptite	
74	1	650251	(F)24-V Center Case Cover Kit	1- Center Case Cover	A
				4- #8-18 x ¾" UFPHMS	

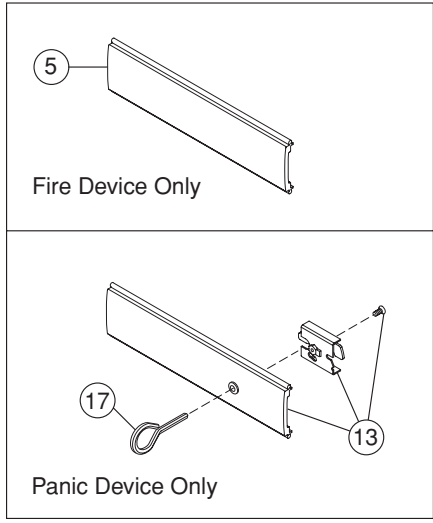
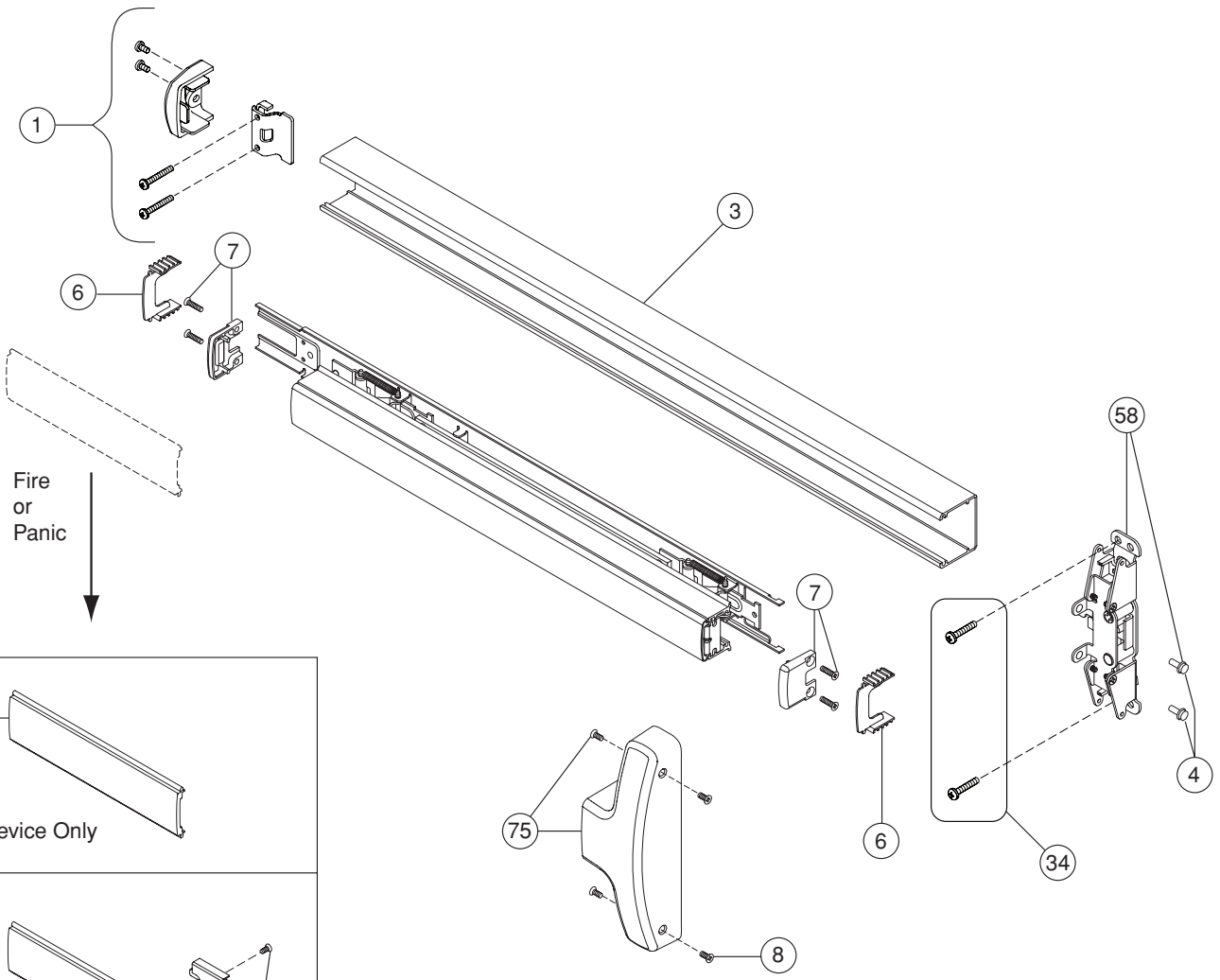
* Item(s) not shown
A Specify by finish: US3, US4, US10, 313AN, US26, US32, US26D, US32D, US28

Prices subject to change without notice

EXITS
Pushpads
Architectural / Heavy Duty
24 Series

(F)24-C Concealed vertical rod exit device

Panic and fire



EXITS

Pushpads

Architectural / Heavy Duty

24 Series

Prices subject to change without notice

No.	Qty.	Part no.	Description	Package contents	Notes
1	1	650294	24 Channel Endcap Kit 1¾" Door	1- Channel Endcap	A
				2- #10-24 x ⅜" PPHMS	
				1- Channel Endcap Bracket	
				2- #10-24 x 1" PPHMS	
				2- #10 x 1¼" PPHSMS	
1	1	650348	24 Channel Endcap Kit 2¼" Door	1- Channel Endcap	A
				2- #10-24 x ⅜" PPHMS	
				1- Channel Endcap Bracket	
				2- #10-24 x 1" PPHMS	
				2- #10 x 1¼" PPHSMS	
3	1	661408	24 Channel 3'		A
		661409	24 Channel 4'		
4	1	600305	24 Channel Screw Pkg	10- #10-16 x ½" Hex Washer Head Taptite	
5	1	650121	F-24 Channel Cover 3'		A, B
		650122	F-24 Channel Cover 4'		
6	1	600319	24 Pushbar Guide Pkg	2- Pushbar Guide	
7	1	600310	24 Pushbar Endcap Kit	2- Pushbar Endcap	A
				4- #8-18 x ¼" FPHSMS	
8	1	600307	24 Center Case Cover Screw Pkg	4- #8-18 x ⅜" UFPHMS	A
13	1	650187	24 Hex Dogging Kit 3'	1- Panic Channel Cover	A, B
		650188	24 Hex Dogging Kit 4'	1- Dogging Subassembly 1- #8-32 x ⅜" UFPHMS	
17	1	060109	24 Panic Hex Dogging Key 7/32" package of 10		
34		Included with C, F-24-C, F-24-CWDC Mounting Packages.			
35					
58	1	650238	(F)24-C Center Case Kit RHR	1- Center Case	
		090978	(F) 24-C Center Case Kit LHR	2- #10-16 x ½" Hex Washer Head Taptite	
75	1	650253	(F)24-C Center Case Cover Kit	1- Center Case	A
				4- #8-18 x ⅜" UFPHMS	

A Specify by finish: US3, US4, US10, 313AN, US26, US32, US26D, US32D, US28

EXITS
 Pushpads
 Architectural / Heavy Duty
 24 Series

Prices subject to change without notice

(F)24-V Surface vertical rods and latches

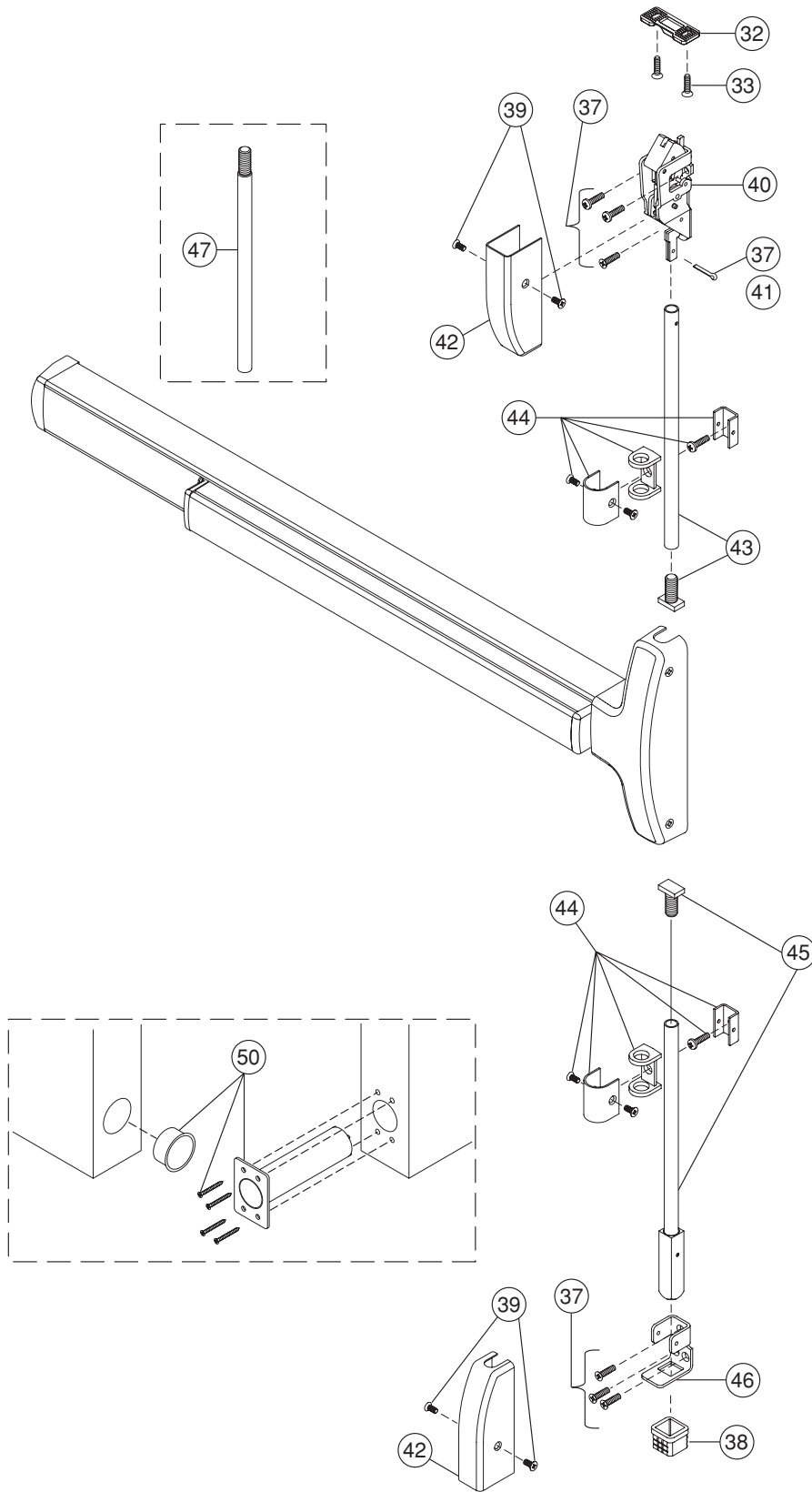
Panic and fire

EXITS

Pushpads

Architectural /
Heavy Duty

24 Series



Prices subject to change without notice

No.	Qty.	Part no.	Description	Package contents	Notes
32	1	3788	Vertical Rod Top Strike		**
33	2	660002	#10 x 1¼" FPHSMS		
37	1	650304	24-V Mounting Pkg 1¾" - 2¼" Door	2- #10 x 1¼" PPHSMS	*
				4- #10 x 1¼" FPHSMS	*
				2- #14 x 1" PPHSMS	*
				1- ⅛ x 1" Cotter Key	
				1- Dogging Key	*
		650325	F-24-V Mounting Pkg 1¾" Door	2- #10-24 x ¾" PPHMS	*
				4- #10-24 x ¾" FPHMS	
				2-1/4-20 x ¾" PPHMS	*
		650201	F-24-V Mounting Pkg 2¼" Door	2- #10-24 x 1¼" PPHMS	*
				4- #10-24 x 1¼" FPHMS	*
				2-1/4-20 x 1¾" PPHMS	*
				1- ⅛" x 1" Cotter Key	
39	1	650336	24-V Latch Case Cover Screw Pkg	4- #8-32 x ¼" UFPHMS	
40	1	650389	24-V Top Latch Case - Panic		
		650375	24-V Top Latch Case - Fire		
41	1	060111	⅛" x 1" Cotter Key package of 10		
42	2	650202	24-V Latch Case Cover		B
43	1	4450	24-V Top Rod Kit		B
44	2	650311	24-V Rod Guide Kit		C
45	1	610056	24-V Bottom Bolt Kit		B
46	1	650387	24-V Bottom Guide Assembly (screws not included)		
47	1	650006	Vertical Extension Rod 12"		A
		650007	Vertical Extension Rod 24"		
		650008	Vertical Extension Rod 36"		
50	1	5494	F-24-C Auxiliary Fire Pin Kit (Less Bottom Rod applications only)		

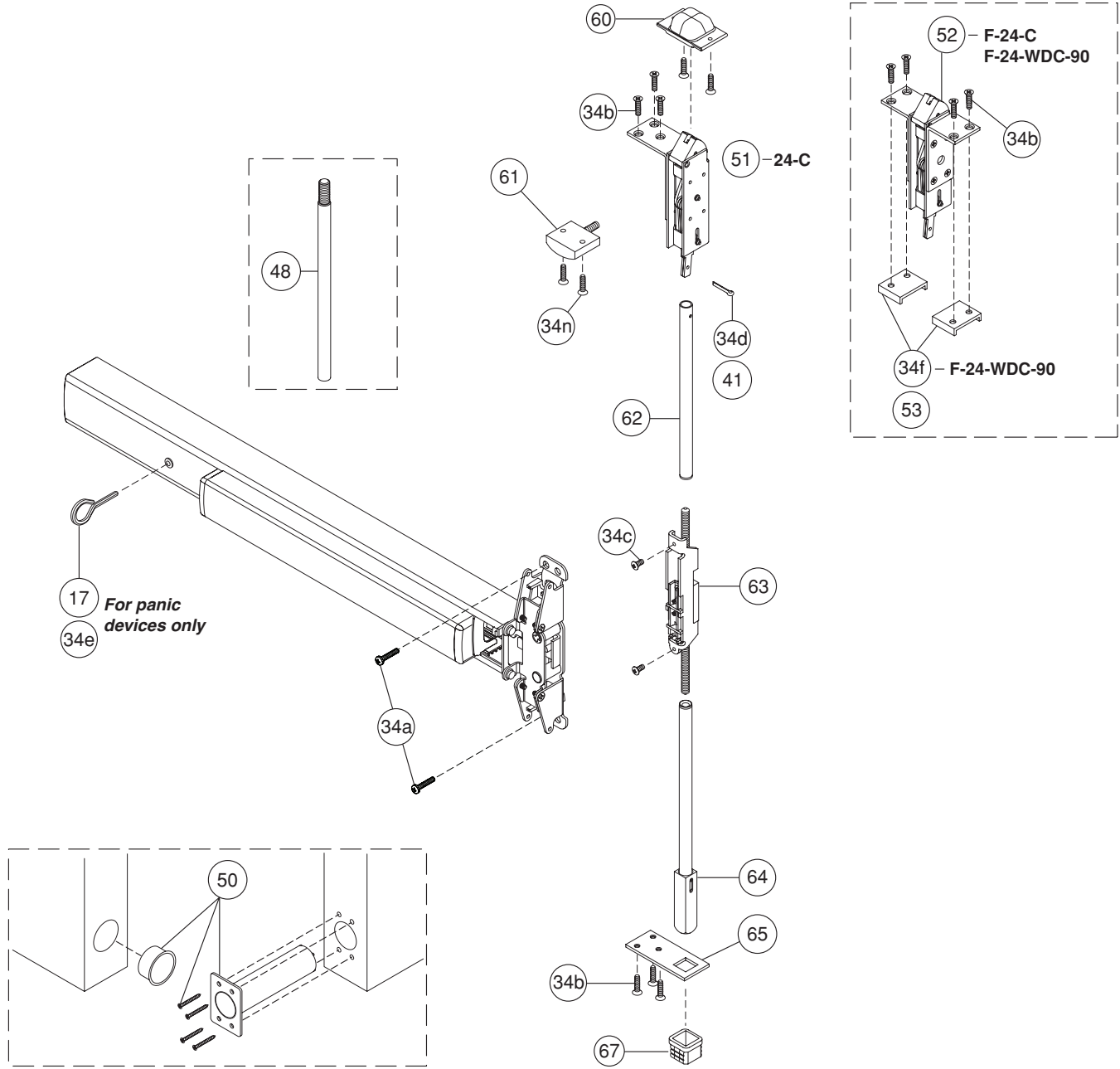
- * Item(s) not shown
- ** For Flush Transom applications, specify part number 4215-019 angle bracket
- A Specify by finish: US3, US4, US10, US10B, US32, US32D, SP28, SP313
- B Specify by finish: US3, US4, US10, US26, US26D, US32, US32D, SP28, SP313
- C Specify by finish: US3, US4, US10, US26, US32, US32D, SP28, SP313

Prices subject to change without notice

(F)24-C and F-24-C-WDC-90 Concealed vertical rods and latches

Metal door—panic and fire, wood door—90 minute fire device

EXITS
Pushpads
Architectural / Heavy Duty
24 Series



No.	Qty.	Part no.	Description	Package contents	Notes
17	1	060109	24 Panic Hex Dogging Key 7/32" package of 10		
34	1	650317	F-24-C Mounting Pkg 1 3/4" Door	34a 8- #10-24 x 3/4" PPHMS 34b 7- #10-24 x 3/4" FPHMS 34c 2- #8-32 x 3/8" UFPHMS 34d 1- 1/8 x 1" Cotter Key — 2- 1/4-20 x 3/4" PPHMS	*

Prices subject to change without notice

Concealed vertical rods and latches (F)24-C and F-24-C-WDC-90

No.	Qty.	Part no.	Description	Package contents		Notes
34	1	650318	24-C Mounting Pkg 1¾" Door	34a	8- #10 x 1¼" PPHSMS	
				34b	6- #10-24 x ¾" FPHMS	
				34c	2- #8-32 x ¾" UFPHMS	
				34d	1- ½ x 1" Cotter Key	
				34e	1- Dogging Key	
				—	2- #14 x 1" PPHSMS	*
		650327	F-24-CWDC 90 Minute Mounting Pkg 1¾" Door	34a	4- #10 x 1¼" PPHSMS	
				34b	3- #10 x 1¼" FPHSMS	
				34c	2- #8-32 x ¾" UFPHMS	
				34d	1- ½ x 1" Cotter Key	
				34f	2- Latch Bracket	
				—	2- 1/4-20 x ¾" PPHMS	*
		650300	24-C Mounting Pkg 2¼" Door	34a	8- #10 x 1¼" PPHSMS	
				34b	6- #10-24 x 1¼" FPHMS	
				34c	2- #8-32 x ¾" UFPHMS	
				34d	1- ½ x 1" Cotter Key	
34e	1- Dogging Key					
—	2- #14 x 1" PPHSMS			*		
650346	F-24-C Mounting Pkg 2¼" Door	34a	8- #10-24 x 1¼" PPHMS			
		34b	7- #10-24 x 1¼" FPHMS			
		34c	2- #8-32 x ¾" UFPHMS			
		34d	1- ½ x 1" Cotter Key			
		—	2- 1/4-20 x 1¼" PPHMS	*		
		41	1	060111	½ x 1" Cotter Key package of 10	
48	1	650017	Concealed Vertical Extension Rod 12"			
		650018	Concealed Vertical Extension Rod 24"			
		650019	Concealed Vertical Extension Rod 36"			
50	1	5494	F-24-C Auxiliary Fire Pin Kit (Less Bottom Rod application only)			
51	1	603L	24-C, C-WDC Top Latch Case - LHR			
	1	603R	24-C, C-WDC Top Latch Case - RHR			
52	1	F603	F-24-C, C-WDC Top Latch Case			
53	2	4694	F-24-CWDC Latch Bracket			
60	1	4188	Concealed Vertical Top Rod Strike			
61	1	650339	(F)24-C, CWDC Top Latch Release Kit		A	
62	1	610061	(F)24-C, CWDC Top Rod Kit			
63	1	650351	(F)24-C, CWDC Center Slide Assembly			
64	1	610057	(F)24-C, CWDC Bottom Rod Kit			
65	1	4567	24-C Bottom Bolt Guide			
67	1	2130	Vertical Rod Bottom Strike			

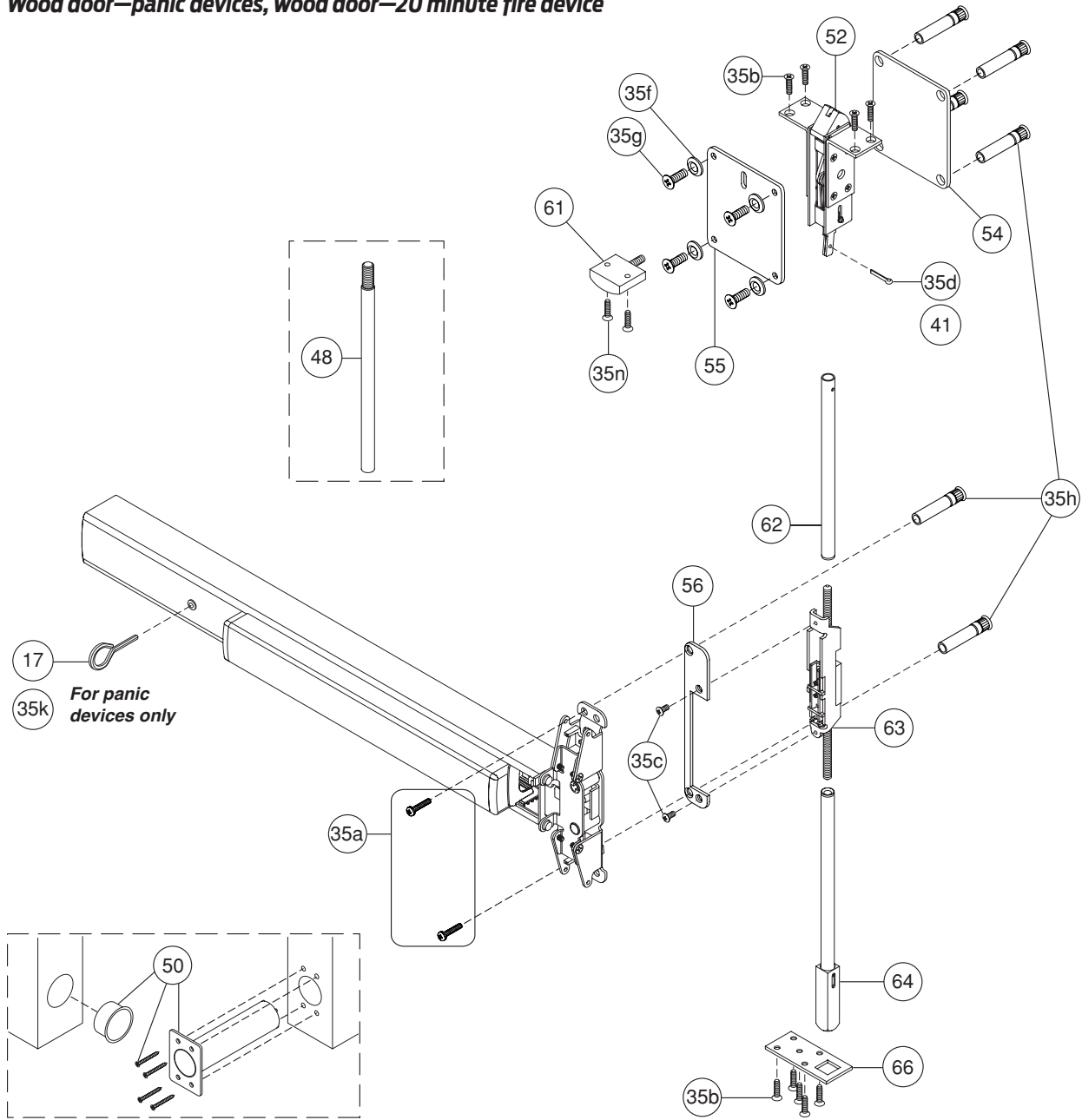
* Item(s) not shown

A Specify by finish: US3, US4, US10, 313AN, US26, US32, US26D, US32D, SP28

Prices subject to change without notice

24-C-WDC and F-24-C-WDC-20 Concealed vertical rods latches

Wood door—panic devices, wood door—20 minute fire device



No.	Qty.	Part no.	Description	Package contents	Notes
17	1	060109	24 Panic Hex Dogging Key 7/32" package of 10		
35	1	650326	24-CWDC Mounting Pkg 1 3/4" Door	35a 2- 1/4-20 x 3/4" PPHMS — 4- #10-24 x 1" PPHMS * 35b 11- #10 x 1 1/4" FPHSMS 35c 2- #8-32 x 3/8" UFPHMS — 2- 3/4" CS Plate Mtg Screw * 35d 1- 1/8 x 1" Cotter Key 35f 4- 1/4" CS FInish Washer	A

REFERENCE NOTE:
F-24-C-WDC-20 is no longer available for purchase. Parts listed for installed SERVICE ONLY.

Prices subject to change without notice

EXITS

Pushpads

Architectural / Heavy Duty

24 Series

Concealed vertical rods latches **24-C-WDC and F-24-C-WDC-20**

No.	Qty.	Part no.	Description	Package contents		Notes
35	1	650326	24-CWDC Mounting Pkg 1¾" Door	35g	4- ¼-20 x ¾" FPHMS	A
				35h	6- ¼-20 Sexbolt	
				35k	1- Dogging Key	
				35n	2- #10-24 x ¾" FPHMS	
				—	2- #10-24 x ¾" FPHMS *	
		650327	F-24-CWDC 20 Minute Mounting Pkg 1¾" Door	35a	2- ¼-20 x ¾" PPHMS	A
				35b	11- #10 x 1¼" FPHSMS	
				35c	2- #8-32 x ¾" UFPHMS	
				35d	1- ⅛ x 1" Cotter Key	
				—	2- ¾" CS Plate Mtg Screw *	
				35f	4- ¼" CS Finish Washer	
				35g	4- ¼-20 x ¾" FPHMS	
				35h	6- ¼-20 Sexbolt	
				—	4- #10-24 x 1" PPHMS *	
				35n	2- #10-24 x ¾" FPHMS	
		650298	24-CWDC Mounting Pkg 2¼" Door	35a	2- ¼-20 x 1¼" PPHMS	A
				—	4- #10-24 x 1" PPHMS *	
				35b	11- #10 x 1¼" FPHSMS	
35c	2- #8-32 x ¾" UFPHMS					
—	2- #8-32 x ¾" UFPHMS *					
35d	1- ⅛ x 1" Cotter Key					
—	2- ¾" CS Plate Mtg Screw *					
35f	4- ¼-20 x 1¼" FPHMS					
35n	2- #10-24 x ¾" FPHMS					
41	1	060111	⅛ x 1" Cotter Key package of 10			
48	1	650017	Concealed Vertical Extension Rod 12"			
		650018	Concealed Vertical Extension Rod 24"			
		650019	Concealed Vertical Extension Rod 36"			
49	1	WF603	F-24-C-WDC Top Latch Case		*	
50	1	5494	F-24-C Auxiliary Fire Pin Kit (Less Bottom Rod application only)			
54	1	4833	Top Reinforcement Plate		A	
55	1	4834	Top Reinforcement Plate with Access Hole		A	
56	1	4832	(F)24-CWDC Center Slide Reinforcement Plate			
61	1	650339	(F)24-C, CWDC Top Latch Release Kit		A	
62	1	610061	(F)24-C, CWDC Top Rod Subassembly			
63	1	650351	(F)24-C, CWDC Center Slide Assembly			
64	1	610057	(F)24-C, CWDC Bottom Rod Kit			
66	1	4835	24-CWDC Bottom Bolt Guide			

* Item(s) not shown

A Specify by finish: US3, US4, US10, 313AN, US26, US32, US26D, US32D, SP28

Prices subject to change without notice

3' Devices are priced with standard trim and strikes, 4' add \$19 list.
Cylinders are not included in price unless noted.



EXIT HARDWARE

Rim Devices (Includes F570 Strike)	Trim/Control	SP28 SP313	US32D
19-R-EO		298	524
Trident Trim (must specify handing)			
19-R-DT	920DT	338	564
19-R-NL	920NL	368	594
Centron Trim (non-handed)			
19-R-EO	930EO	333	559
19-R-DT	930DT	338	564
19-R-NL	930NL	353	579
19-R-C	930C	347	573
19-R-DT	917DT	329	555
Control Trim (non-handed)			
19-R-DT	918DT	413	735
19-R-NL	918NL	413	735
Knob Control (handed and field reversible)			
19-R-K	911K	413	735
19-R-K-BE	911K-BE	413	735
19-R-K-NL	911K-NL	413	735
Dane Lever Control (handed and field reversible)			
19-R-L	912L	458	770
19-R-L-BE	912L-BE	458	770
19-R-L-NL	912L-NL	458	770
19-R-L-DT	912L-DT	458	770
Key in Lever (handed and field reversible)			
19-R-KIL	914-KIL-KD W/CYL	490	716
19-R-KIL-NL	914-KIL-NL-KD W/CYL	490	716
19-R-KIL-BE	914-KIL-BE	490	716
19-R-KIL-IC	914-KIL-IC W/CYL	535	761

REFERENCE NOTE:

930 series trim is available in SP313 and US32D finish only. 19 series devices order in SP28 paired with 930 trim are supplied with US32D finish trim.

Sex Bolts:

Three 4122 Sex Bolts are supplied standard no charge, one for hinge side mounting and two for center case mounting.

Prices subject to change without notice

EXITS

Pushpads

Commercial /
Medium Duty

19 Series

**3' Devices are priced with standard trim and strike, 4' add \$19 list.
Cylinders are not included in the price unless noted.**

FIRE EXIT HARDWARE		SP28	US32D
Rim Devices (Includes F570 Strike)	Trim/Control	SP313	US32D
F-19-R-EO		372	611
Trident Trim (must specify handing)			
F-19-R-DT	920DT	412	651
F-19-R-NL	920NL	442	681
Centron Trim (non-handed)			
F-19-R-EO	930EO	407	646
F-19-R-DT	930DT	412	651
F-19-R-NL	930NL	427	666
F-19-R-C	930C	421	660
F-19-R-DT	917DT	403	642
Control Trim (non-handed)			
F-19-R-DT	918DT	487	822
F-19-R-NL	918NL	487	822
Knob Control (handed and field reversible)			
F-19-R-K	911K	487	822
F-19-R-K-BE	911K-BE	487	822
F-19-R-K-NL	911K-NL	487	822
Dane Lever Control (handed and field reversible)			
F-19-R-L	912L	532	857
F-19-R-L-BE	912L-BE	532	857
F-19-R-L-NL	912L-NL	532	857
F-19-R-L-DT	912L-DT	532	857
Key in Lever (handed and field reversible)			
F-19-R-KIL	914-KIL-KD W/CYL	564	803
F-19-R-KIL-NL	914-KIL-NL-KD W/CYL	564	803
F-19-R-KIL-BE	914-KIL-BE	564	803
F-19-R-KIL-IC	914-KIL-IC W/CYL	609	848

REFERENCE NOTE:

930 series trim is available in SP313 and US32D finish only. 19 series devices order in SP28 paired with 930 trim are supplied with US32D finish trim.

Sex Bolts:

Three 4122 Sex Bolts are supplied standard, one for hinge side mounting and two for center case mounting.

Two 2729 Sex bolts are supplied for additional center case mounting when device is used with wood, composite or non-reinforced hollow metal doors.

Application**Sex Bolt 2729**

(Supplied)

Wood, composite or non-reinforced hollow metal doors

2

EXITS

Pushpads

Commercial /
Medium Duty

19 Series

Prices subject to change without notice

3' Devices are priced with standard trim and strikes, 4' add \$19 list.
Cylinders are not included in the price unless noted.

EXIT HARDWARE

Surface Vertical Rod Devices
(Includes 3788 and 2130 Strikes)

	Trim/Control	SP28 SP313	US32D
19-V-EO		466	878
Trident Trim (must specify handing)			
19-V-DT	920DT	506	918
19-V-NL	920NL	536	948
Centron Trim (non-handed)			
19-V-EO	930EO	501	913
19-V-DT	930DT	506	918
19-V-NL	930NL	521	933
19-V-C	930C	515	927
19-V-DT	917DT	497	909
Control Trim (non-handed)			
19-V-DT	918DT	581	1089
19-V-NL	918NL	581	1089
Knob Control (handed and field reversible)			
19-V-K	911K	581	1089
19-V-K-BE	911K-BE	581	1089
19-V-K-NL	911K-NL	581	1089
Dane Lever Control (handed and field reversible)			
19-V-L	912L	626	1124
19-V-L-BE	912L-BE	626	1124
19-V-L-NL	912L-NL	626	1124
19-V-L-DT	912L-DT	626	1124
Key in Lever (handed and field reversible)			
19-V-KIL	914-KIL-KD W/CYL	658	1070
19-V-KIL-NL	914-KIL-NL-KD W/CYL	658	1070
19-V-KIL-BE	914-KIL-BE	658	1070
19-V-KIL-IC	914-KIL-IC W/CYL	703	1115

REFERENCE NOTES:

Handing: 19-V devices are handed and field reversible. Devices and Trims are furnished RHR when handing is not specified.

Extension Rods: For door heights over 7'0" up to 8'0", 12" extension rods are furnished at no additional charge at the time of device order. For door heights over 8'0" up to 10'0" extension rods are furnished at prices shown in parts section with the device at the time of order. MUST specify door height on order line.

930 series trim is available in SP313 and US32D finish only. 19 series devices order in SP28 paired with 930 trim are supplied with US32D finish trim.

Sex Bolts:

Three 4122 Sex Bolts are supplied standard no charge, one for hinge side mounting and two for center case mounting.

Six 2729 Sex Bolts are recommended for latch mounting when device is used with hollow core, composite or light gauge hollow metal doors. See chart below for quantities and list prices.

Application	Sex Bolt 2729 (Optional)	List Add
Hollow core, composite or light gauge hollow metal doors	6	66

Prices subject to change without notice

EXITS

Pushpads

Commercial /
Medium Duty

19 Series

**3' Devices are priced with standard trim and strikes, 4' add \$19 list.
Cylinders are not included in the price unless noted.**

FIRE EXIT HARDWARE			
Surface Vertical Rod Devices			
(Includes 3788 and 2130 Strikes)			
	Trim/Control	SP28 SP313	US32D
F-19-V-EO		584	988
Trident Trim (must specify handing)			
F-19-V-DT	920DT	624	1028
F-19-V-NL	920NL	654	1058
Centron Trim (non-handed)			
F-19-V-EO	930EO	619	1023
F-19-V-DT	930DT	624	1028
F-19-V-NL	930NL	639	1043
F-19-V-C	930C	633	1037
F-19-V-DT	917DT	615	1019
Control Trim (non-handed)			
F-19-V-DT	918DT	699	1199
F-19-V-NL	918NL	699	1199
Knob Control (handed and field reversible)			
F-19-V-K	911K	699	1199
F-19-V-K-BE	911K-BE	699	1199
F-19-V-K-NL	911K-NL	699	1199
Dane Lever Control (handed and field reversible)			
F-19-V-L	912L	744	1234
F-19-V-L-BE	912L-BE	744	1234
F-19-V-L-NL	912L-NL	744	1234
F-19-V-L-DT	912L-DT	744	1234
Key in Lever (handed and field reversible)			
F-19-V-KIL	914-KIL-KD W/CYL	776	1180
F-19-V-KIL-NL	914-KIL-NL-KD W/CYL	776	1180
F-19-V-KIL-BE	914-KIL-BE	776	1180
F-19-V-KIL-IC	914-KIL-IC W/CYL	821	1225

REFERENCE NOTES:

Handing: F-19-V devices are handed and field reversible. Devices and Trims are furnished RHR when handing is not specified.

Extension Rods: For door heights over 7'0" up to 8'0", 12" extension rods are furnished at no additional charge at the time of device order. For door heights over 8'0" up to 10'0" extension rods are furnished at prices shown in parts section with the device at the time of order. MUST specify door height on order line.

930 series trim is available in SP313 and US32D finish only. 19 series devices order in SP28 paired with 930 trim are supplied with US32D finish trim.

Sex Bolts:

Three 4122 Sex Bolts are supplied standard no charge, one for hinge side mounting and two for center case mounting.

Six 2729 are supplied for additional latch case mounting when device is used with wood, composite or non-reinforced hollow metal doors.

Sex Bolt 2729

(Supplied)

Application

Wood, composite or non-reinforced hollow metal doors

6

EXITS

Pushpads

Commercial /
Medium Duty

19 Series

Prices subject to change without notice

Cylinder Dogging

Not for use with Fire Exit Hardware

Prefix		List Add
CD	Cylinder Dogging available on all 19 series Panic Devices.	67
LD	Less Dogging available on all 19 series Panic Devices	N/C

Less Bottom Rod

Suffix		List Add
LBR	Less Bottom Rod available with UL Fire Label at no additional charge on F-19-V devices. Fire rated LBR devices must be ordered in pairs of Vertical Rod Devices. For Fire Rated Devices specify one device LBR and second device LBR-AFL. Second device provided with a Fire Pin.	N/C

* The 19-Series Exit Alarm option has been eliminated. Consult Customer Care for availability and warranty claims.

** (F) 19-V-LBR requires handing

Accessible Device

Suffix		List Add
AX	Accessible device compliant with the California Building Code (Section 11B-309.4) requirement for 5 lb. maximum operational force. Available on 3' and 4' AX-19-R, AX-F-19-R, AX-19-V, AX-F-19-V, AX-19-V-LBR, AX-F-19-V-LBR/LBR-AFL. Trim functions available EO, DT, NL, L, L-BE, L-NL, L-DT, C, KIL, KIL-BE, KIL-NL, and KIL-IC.	26

EXITS

Pushpads

Commercial /
Medium Duty

19 Series

Prices subject to change without notice

Cylinders are not included in price unless noted.

Trident Trim

Model No.	Lever Style	Description	SP28, SP313	US32D
920DT	-	Dummy Trim	40	-
920NL	-	Night Latch	70	-

920 series trim are handed and not field reversible, specify RHR or LHR.

Centron Trim

Model No.	Lever Style	Description	SP28	US32D, SP313
917DT	-	Dummy Trim	31	31
930EO	-	Exit Only	-	35
930DT	-	Dummy Trim	-	40
930NL	-	Night Latch	-	55
930C	-	Night Latch Less Pull	-	49

930 series trim are available in SP313 and US32D finish only.

Control Trim

Model No.	Lever Style	Description	SP28, SP313	US15
918DT	-	Dummy Trim	115	211
918NL	-	Night Latch	115	211
911K	-	Knob, Key Locks or Unlocks	115	211
911K-BE	-	Knob, Blank Escutcheon	115	211
911K-NL	-	Knob, Night Latch	115	211

911 series trim are handed and field reversible. Trims are furnished RHR when handing is not specified.

Lever Trim

Model No.	Lever Style	Description	SP28, SP313	US15
912L	Dane	Lever, Key Locks or Unlocks	160	246
912L-BE	Dane	Lever, Blank Escutcheon	160	246
912L-NL	Dane	Lever, Night Latch	160	246
912L-DT	Dane	Lever, Dummy Trim	160	246

Optional lever designs Quantum and Sutro are available at no additional charge.

912 series trim are handed and field reversible. Trims are furnished RHR when handing is not specified.

Key In Lever Trims

Model No.	Lever Style	Description	US32D, SP313
914KIL-KD	Dane	Key in Lever, with Keyed Different Cylinder	192
914KIL-BE	Dane	Key in Lever, Blank Escutcheon	192
914KIL-NL-KD	Dane	Key in Lever, Night Latch with Cylinder	192
914KIL-IC	Dane	Key in Lever with IC Core Cylinder	237

914 series trim are handed and field reversible. Trims are furnished RHR when handing is not specified.

914 KIL-KD, KIL-NL-KD come standard with a C keyway and 914 KIL-IC come standard with a A keyway.

Consult factory if other keyways are desired to order separately.

Prices subject to change without notice

Rim Strikes

Model	Description	Unfinished	US19	US26D	US32D	SP313
F490	19-R Panic and Fire Devices - Opt.	54	-	-	-	-
565	19-R Panic Devices - Opt.	-	-	54	-	54
F570	19-R Panic and Fire Devices - Std.	-	54	-	-	-
571	19-R Inactive Leaf 2 7/8" backset - Opt.	54	-	-	54	-
571A	19-R Inactive Leaf 2 3/8" backset - Opt.	54	-	-	54	-

Vertical Rod Top Strikes

Model	Description	Unfinished
* 3788	19/24/25/XX-V Panic and Fire Devices	56

* For Flush Transom applications, Specify part number 4215-019 Angle Bracket, **add \$57 List.**

Vertical Rod Bottom Strikes

Model	Description	Unfinished
2130	19-V/24/25/XX-V,C Panic or Fire - Std.	56
4155	19-V/24/25/XX-V,C Panic	56

REFERENCE NOTES:

Refer to device catalogs for specific door application strike requirements.

Prices subject to change without notice

Cover Plates & Filler Plates

Model No.	Description	Unfinished	SP313	US32D
4167	19 TP or DT Controls used on 86 or 161 door preps	–	35	54
4168	19 EO used on 86 door preps	–	35	54
4170	19 K or L Controls used on 86 or 161 door preps	–	35	54
4174	19 Device (push side) used on 86 door preps	–	35	54
3722	Strike cover - ASA 4-7/8"	13	–	–
3723	Mortise front - 8" x 1-1/4"	13	–	–
3721	Lock front - 2-1/4" x 1-1/8"	13	–	–

Cylinders

Model No.	Description	US26D	US4 US10B	US3 US10	US32 US32D
951	Rim Cylinder, Keyed Different	66	68	68	68
986	Threaded 1-1/4" Mortise Cylinder, with Straight Cam Keyed Different	66	68	68	68
985	1-1/8" Mortise Cylinder with Straight Cam	66	68	68	68

REFERENCE NOTES:

Custom keying not available. Falcon G keyway supplied.
Cylinder type determined by trim function.

Cylinder Dogging Kits

Model No.	Description	Part No.	SP28, SP313
19CDK-3	19 Series - 3' device	650060	67
19CDK-4	19 Series - 4' device	650063	67

REFERENCE NOTES:

Cylinder Sold Separately.

When a device is ordered "with CD with Cylinder" a 1-1/4" mortise cylinder (986 Falcon G x straight cam KD) is supplied for CD.
CD Kits can also pair with a 1-1/8" mortise cylinder (985 Falcon G x straight cam KD). Must be ordered separately.

Prices subject to change without notice

Dummy Touch Bars

3' Device pricing below, 4' add \$19 list.

Model No.	Description	SP28 SP313
190DT	19 Series Dummy Touch Bar	177

Extension Rods

Part No.	Description	All Finishes
650006	24/25/19/XX-V Extension Rod 12" (ER12-V)	23
650007	24/25/19/XX-V Extension Rod 24" (ER24-V)	40
650008	24/25/19/XX-V Extension Rod 36" (ER36-V)	64

REFERENCE NOTES:

- 1) Surface Vertical and Concealed Vertical Rod Devices for door heights over 7'0" up to 8'0", 12" extension rods are furnished at no additional charge at the time of device order. Must specify door height on order line.
- 2) For door heights over 8'0" up to 10'0" extension rods are furnished at prices shown above with the device at the time of order. MUST specify door height on order line.
- 3) Replacement extension rods can be ordered individually by the part numbers listed above.

Shim Kits

Model No.	Description	Part #	US19
SK19-R	19 Rim Shim Kit - 1/4"	650022	71
SK19-V	19 Surface Vertical Shim Kit - 1/4"	650023	71

REFERENCE NOTES:

19 series shim kits for use on door thickness devices less trim. For devices with trim, consult factory. All shim kits for use on door thicknesses up to 2". Consult factory for door thickness over 2"

EXITS

Pushpads

Commercial /
Medium Duty

19 Series

Prices subject to change without notice

(F) 19 Exit Devices

Part No.	Description	Unfinished	SP28		
			SP313	US32D	Black
650307	19-R Center Case	87.00	-	-	-
650374	F-19-R Center Case	108.00	-	-	-
650308	19-V Center Case LHR	76.00	-	-	-
650309	19-V Center Case RHR	76.00	-	-	-
650384	19-R Center Case Cover Kit (w/Screws)	-	-	-	38.00
650385	19-V Center Case Cover Kit (w/Screws)	-	-	-	38.00
650338	19-R Center Case Cover Mounting Pkg	10.00	-	-	-
650334	19-V Center Case Cover Mounting Pkg	10.00	-	-	-
650393	19-V Center Case Retractor Cam	37.00	-	-	-
650390	19-V Drawbar	11.00	-	-	-
650391	19-V Center Case Drawbar Lever	24.00	-	-	-
650392	19-V Center Case Slidebar Lever	15.00	-	-	-
4107	19 Channel 3' Door	-	131.00	341.00	-
4108	19 Channel 4' Door	-	151.00	376.00	-
650297	19 Panic Hex Dogging Kit 4' Door	-	86.00	126.00	-
650303	19 Panic Hex Dogging Kit 3' Door	-	62.00	102.00	-
610480	19 Panic Dogging Housing	20.00	-	-	-
060109	19 Panic Hex Dogging Key 7/32" (Pkg of 10)	15.00	-	-	-
060110	19 Panic Dogging Pin (Pkg of 10)	10.00	-	-	-
650343	19 Channel End Cap Kit (w/Screws)	26.00	-	-	-
650320	19 End Cap Mounting Bracket with SNB	-	11.00	-	-
650328	19-R Mounting Pkg	-	30.00	-	-
650329	F-19-R Mounting Pkg	-	30.00	-	-
650330	19-V Mounting Pkg	-	42.00	-	-
650331	F-19-V Mounting Pkg	-	42.00	-	-
3722	Strike ASA Filler Plate	12.00	-	-	-
660136	8-32 5/16" UFPHMS STL BO NYL	10.00	-	-	-

(F) 19 Exit Devices

Part No.	Description	US32D,	
		SP313	SP28
650360	F-19 Channel Cover Plate 3' Door	43.00	40.00
650361	F-19 Channel Cover Plate 4' Door	48.00	43.00

(F) 19-V Surface Vertical Rod and Latches

Part No.	Description	Unfinished	SP28		
			SP313	US32D	Black
650389	19-V Top Latch Case (Latch cover sold separately)	126.00	-	-	-
650388	19-V Latch Case Cover Kit (w/Screws)	-	-	-	38.00
650337	19-V Latch Cover Mounting Pkg	10.00	-	-	-
650386	Rod Guide Kit (w/Screws)	-	-	-	12.00
610045	Bottom Bolt Assembly	42.00	-	-	-
650387	Bottom Bolt Guide (Latch cover sold separately)	11.00	-	-	-
4286	19 Top Rod	-	74.00	86.00	-
4288	19 Bottom Rod	-	74.00	86.00	-
5494	F-19-V Auxiliary Fire Pin Kit (LBR application only)	162.00	-	-	-
650375	V-F Top Latch Asy Serv PKG	130.00	-	-	-
660002	#10 x 1 1/4" FPHSMS Clear Zinc	10.00	-	-	-

Prices subject to change without notice

19 Trim Series - Parts

Part No.	Description	Unfinished	SP28, SP313 US32D
050526	Cylinder Locknut Package	15.00	-
650314	700/900 Locking Plate	20.00	-
661567	700/900 Locking Spring	10.00	-
4270	900 Series Hex Stud	20.00	-
600315	920/930 Cylinder Anchor	10.00	-
600161	914 Tailpiece Guide Pkg	10.00	-
600346	911/912 Tailpiece Guide Package	10.00	-
661565	700/900 Lever Actuator Spring	10.00	-
4349	Control Hex Stud	10.00	-
650371	Tailpiece Pkg 1 3/4" - Service	10.00	-
600339	700/900 NL Spring Pkg	11.00	-
600283	Shear Pin, package of 5	12.00	-
600166	918NL Cylinder Mounting package	-	96.00
650355	912 Dane Lever	-	121.00
650356	912 Sutro Lever	-	96.00
650358	912 Quantum Lever	-	92.00

EXITS

Pushpads

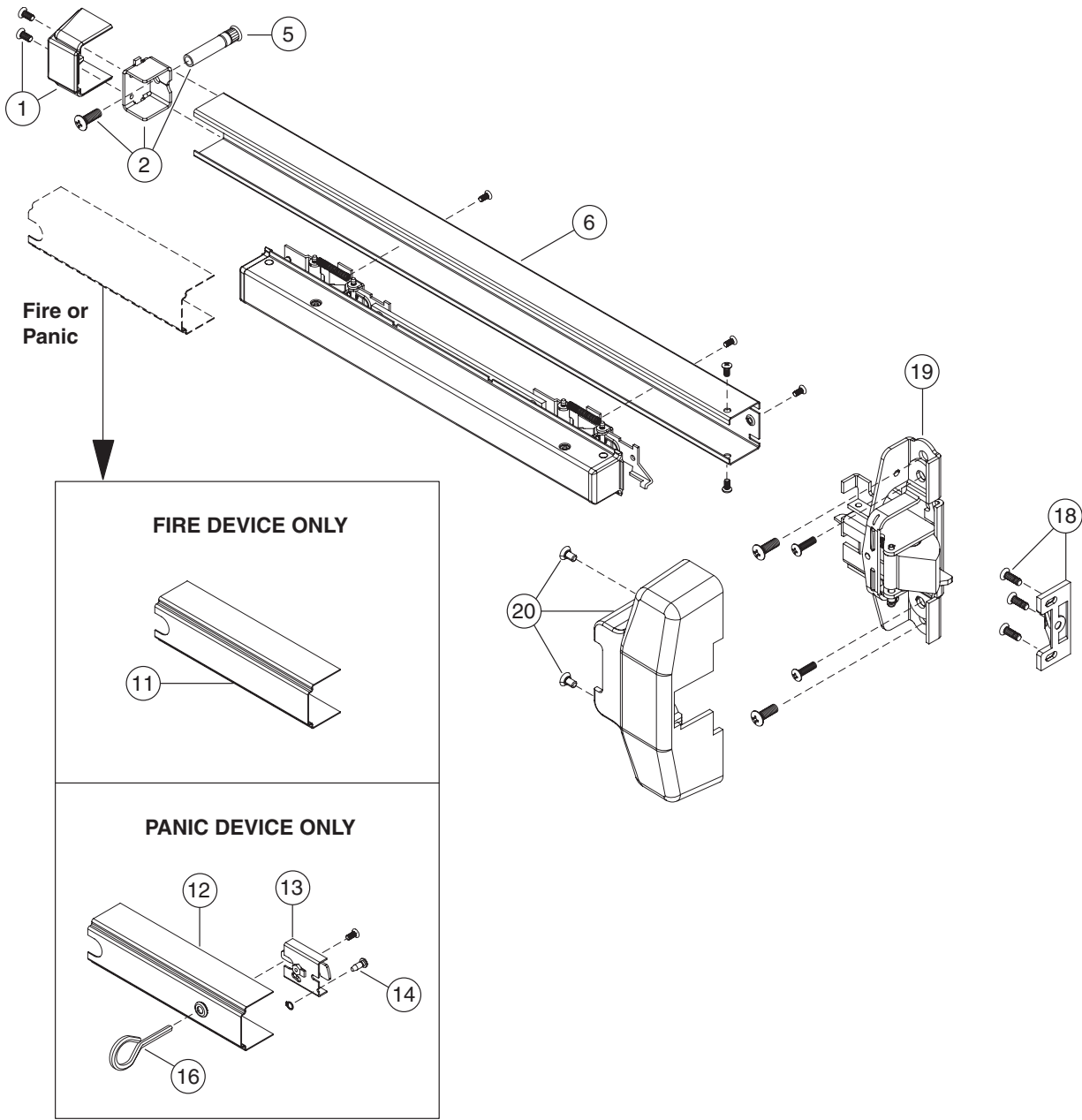
Commercial /
Medium Duty

19 Series

Prices subject to change without notice

Prices subject to change without notice

Fire and panic



EXITS

Pushpads

Commercial / Medium Duty

19 Series

Prices subject to change without notice

No.	Qty.	Part no.	Description	Notes
1	1	650343	19 Channel End Cap Kit (with screws)	
2	1	650320	19 End Cap Mounting Bracket with SNB	
5	1	4122	Sex Bolt, package of 1, includes machine screw, 1/2 - 20 x 3/4" PPHMS	A
6	1	4107	19 Channel 3' Door	A
	1	4108	19 Channel 4' Door	A
11	1	650360	F-19 Channel Cover Plate 3'	A
	1	650361	F-19 Channel Cover Plate 4'	
12	1	650297	19 Panic Hex Dogging Channel Cover, 4'	A
	1	650303	19 Panic Hex Dogging Channel Cover 3'	A
13	1	610480	19 Panic Dogging Housing	
14	1	060110	19 Panic Dogging Pin (package of 10)	
16	1	060109	19 Panic Hex Dogging Key 7/32" (package of 10)	
18	1	F570	F570 Strike (US19)	
19	1	650307	19-R Center Case Assembly	
		650374	F-19-R Center Case Assembly	
20	1	650384	19-R Center Case Cover Kit (with screws)	
*	1	650328	19-R Mounting Package	
*	1	650329	F-19-R Mounting Package	

* Item(s) not shown

A Specify by finish: US32D or SP28/SP313

EXITS

Pushpads

Commercial /
Medium Duty

19 Series

Prices subject to change without notice

19-V and F-19-V Surface vertical rod exit device

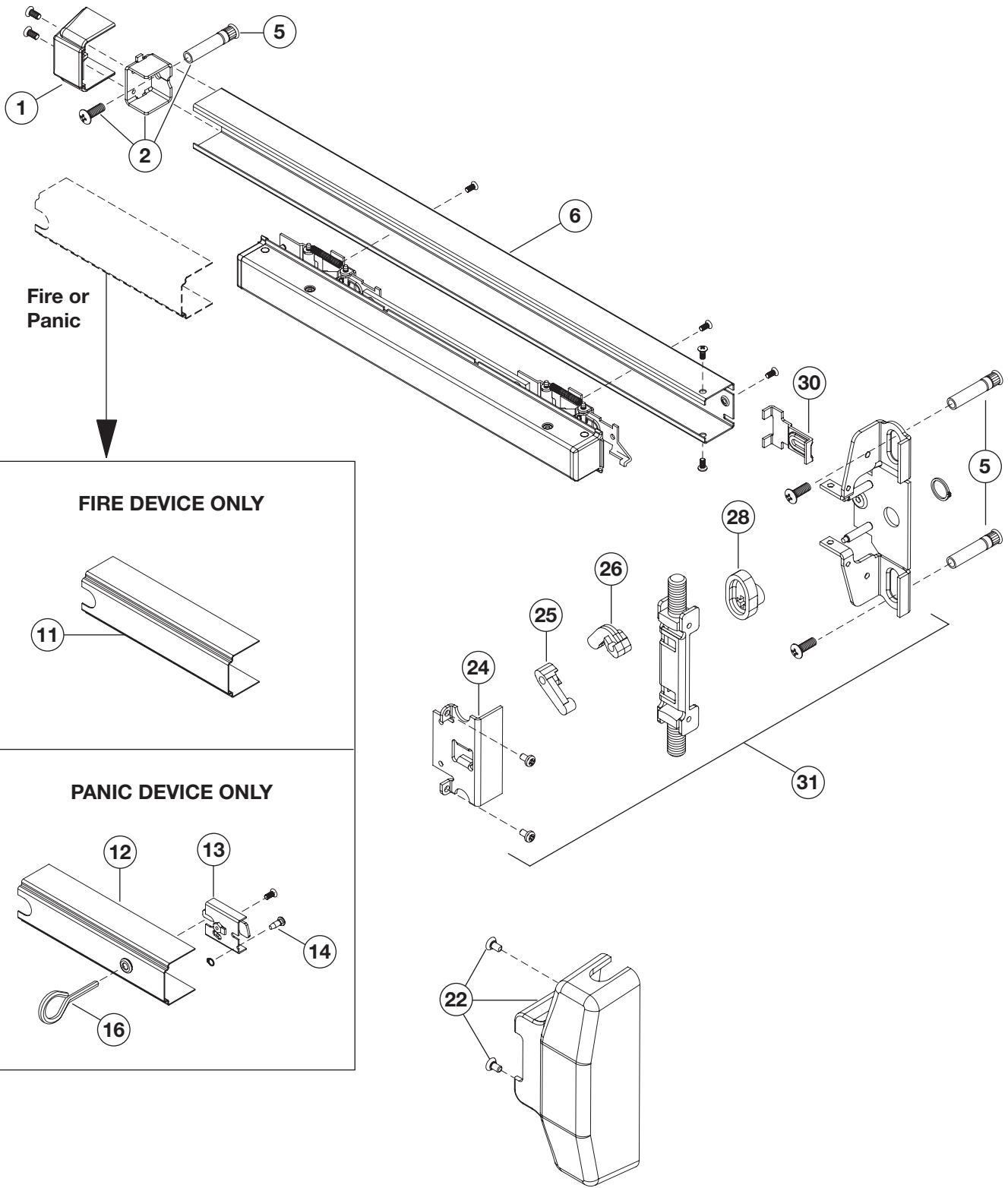
Panic and fire

EXITS

Pushpads

Commercial / Medium Duty

19 Series



Prices subject to change without notice

No.	Qty.	Part no.	Description	Notes
1	1	650343	19 Channel End Cap Kit (with screws)	
2	1	650320	19 End Cap Mounting Bracket with SNB	
5	1	4122	Sex Bolt, package of 1, includes machine screw (1/2 - 20 x 3/4" PPHMS)	A
6	1	4107	19 Channel 3' Door	A
	1	4108	19 Channel 4' Door	A
11	1	650360	F-19 Channel Cover Plate 3'	A
	1	650361	F-19 Channel Cover Plate 4'	A
12	1	650297	19 Panic Hex Dogging Channel Cover 4'	A
	1	650303	19 Panic Hex Dogging Channel Cover 3'	A
13	1	610480	19 Panic Dogging Housing	
14	1	060110	19 Panic Dogging Pin (package of 10)	
16	1	060109	19 Panic Hex Dogging Key 7/32" (package of 10)	
22	1	650385	19-V Center Case Cover Kit (with screws)	
25	1	650392	19-V Center Case Slidebar Lever	
26	1	650391	19-V Center Case Drawbar Lever	
28	1	650393	19-V Center Case Retractor Cam	
30	1	650390	19-V Drawbar	
31	1	650308	19-V Center Case LHR	
	1	650309	19-V Center Case RHR	
*	1	650330	19-V Mounting package	
*	1	650331	F-19-V Mounting package	

* Item(s) not shown

A Specify by finish: US32D or SP28/SP313

EXITS

Pushpads

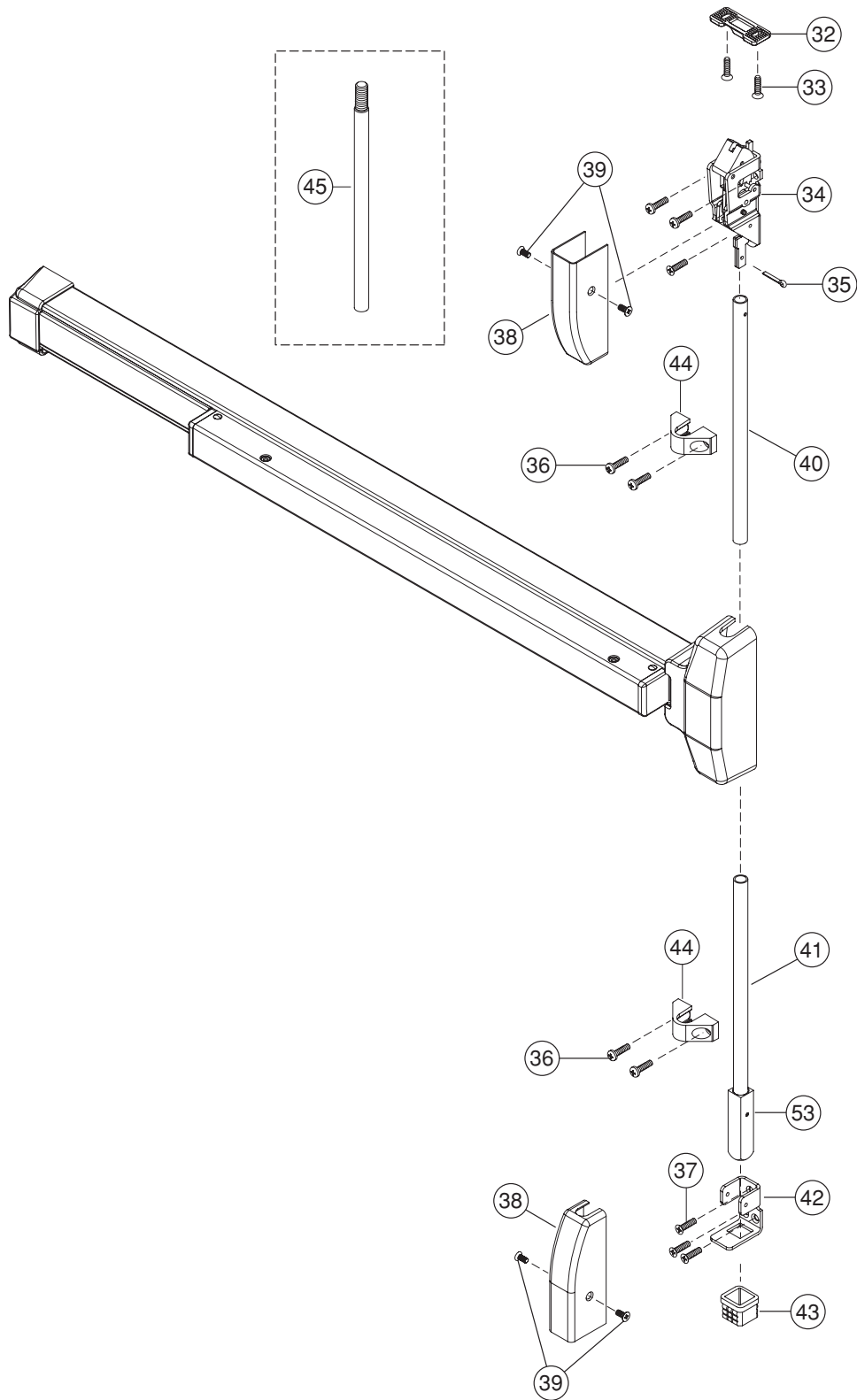
Commercial /
Medium Duty

19 Series

Prices subject to change without notice

19-V and F-19-V Surface vertical rods and latch cases

Panic and fire



EXITS

Pushpads

Commercial /
Medium Duty

19 Series

Prices subject to change without notice

No.	Qty.	Part no.	Description	Notes
32	1	3788	Vertical Rod Top Strike	*
33	2	660002	#10 x 1¼" FPHSMS	
34	1	650389	19-V Top Latch Case	
35	1	060111	½" x 1" Cotter Key package of 10	
36	1	060114	Rod Guide Screws package of 10	
37	1	060113	Latch Screw package of 10	
38	2	650388	19-V Latch Case Cover Kit (with screws)	A
39	1	650337	19-V Latch Case Cover Mounting package of 4	
40	1	4286	19 Top Rod	
41	1	4288	19 Bottom Rod	
42	1	650387	Bottom Bolt Guide (screws not included)	
43	1	2130	Vertical Rod Bottom Strike	
44	2	650386	Rod Guide Kit (with screws)	
45	1	650006	19/24/25/XX-V Extension Rod 12"	A
45	1	650007	19/24/25/XX-V Extension Rod 24"	A
45	1	650008	19/24/25/XX-V Extension Rod 36"	A
53	1	610045	(F)19-V Bottom Bolt Assembly	

* For Flush Transom applications, specify part number 4215-019 angle bracket

A Specify by finish: US32D or SP28/SP313

Prices subject to change without notice

Falcon 20 Series

Devices

		SP28	US32D
EXIT HARDWARE			
20-R-EO	Rim Device Exit Only 3'	259	458
20-V-EO	Surface Vertical Rod Device Exit Only 3'	397	631
20-R-EO	Rim Device - Exit Only 4'	278	477
20-V-EO	Surface Vertical Rod Device Exit Only 4'	416	650
FIRE EXIT HARDWARE			
F-20-R-EO	Fire Rim Device - Exit Only 3'	323	535
F-20-V-EO	Fire Surface Vertical Rod Device - Exit Only 3'	570	711

Trims

		SP28	US32D
Model No.	Description		
212-L	Escutcheon Lever - Key Locks or Unlocks	160	217
212-L-NL	Escutcheon Lever - Night Latch	160	217
214-KIL	Key in Lever Round Rose - Entrance	192	192
214-KIL-NL	Key in Lever Round Rose - Night Latch	192	192
214-KIL-BE	Key in Lever Round Rose - Passage	192	192
218-NL	Handle Pull Plate - Night Latch	102	145
218-TP	Handle Pull Plate - Thumbpiece	224	235
240-NL	Raised Lip Pull Plate - Night Latch	69	78

EXITS

Pushpads

Commercial /
Medium Duty

20 Series

Prices subject to change without notice

1490 Series

**Devices are priced for 36" x 7',
Aluminum or Hollow Metal Doors.
RL Bottom Latch furnished standard.**
(Price includes PB48 Strike.)



Model No.	US28	DC13, DC35	Standard Trim
1490EO	907	931	-
1491DT	1087	1111	9970 Pull
1492NL-OP	1049	1073	149CA-NL w/Rim Cylinder
1493HB-OP	1049	1073	149CA-HB w/Rim Cylinder
1494NL-P	1229	1253	9970 Pull 149CA-NL w/Rim Cylinder
1495HB-P	1229	1253	9970 Pull 149CA-HB w/Rim Cylinder
1498	634	634	N/A Dummy Touchbar Device

REFERENCE NOTES:

- Specify Handing RHR or LHR. Device furnished RHR when handing is not specified, both RHR and LHR labels are provided.
- Specify if Door Material other than Aluminum.
- Not recommended for use on wood doors.
- Cylinder assembly furnished in DC35 finish, unless specified. Available finishes DC13, US28 & DC35.
- Rim cylinder supplied standard with NL and HB options is C keyway.

1490 Device Options

		List Add
Extra Length	42" 1490 Device	35.00
	48" 1490 Device	76.00
Extra Length	42" 1498 Device	20.00
	48" 1498 Device	25.00
Extension Rods	For Door Heights over 7' up to 10'	112.00
Door Thickness	For Doors greater than 1 3/4" up to 2 1/4" using cylinder assembly	25.00
Rim Cylinder	For Door with cylinder assembly (3216 - C Keyway)	96.00
7 Pin Cylinder Assembly	For Door with cylinder assembly and using 7 pin cylinder	24.00
Risers (1/2")	Specify device "x Riser" (example 1490EO x 36" x US28 x Riser)	96.00
Centerlines	Change from 40 9/16" standard Device Centerline	112.00
HH	Hurricane Device. Available up to 8' device only. Prefix device "HH"	22.00
Signal Switch	Base Exit Device unit modified with signal switch (SPDT) indicating latch condition. Prefix device "S".	413.00
Electric Latch Retraction	Base Exit Device unit modified with Electric Latch Retraction and Signal Switch (SPDT). Prefix device "EL". EL Kits are field replaceable, please refer to page 263 for part numbers.	936.00

**(One PS914 x 900-2RS is the minimum requirement to power one or two EL devices.
See Power Supply Section for requirements and options.)**

REFERENCE NOTES:

HH (Hurricane) 1490 devices are hurricane rated by specific door manufacturers. Consult your device manufacturer to assure the HH1490 is hurricane rated with their door solution.

Prices subject to change without notice

Offset Pull

Model No.		Non-Finish	DC13, DC35, US28	US26, US26D
9970 Pull		-	180	405
STUD.102	9970 Mounting Stud (Pkg Qty 10)	32	-	-

Replacement Cylinders

Model No.	Description	US26D, US10B
3216	Rim Cylinder C Keyway	96

Cylinder Assembly

Model No.	Description	US28, DC13, DC35
149CA-NL	Cylinder Assembly Less Cylinder	46
149CA-HB	Cylinder Assembly Less Cylinder	46

REFERENCE NOTES:

Door Thickness greater than 1 3/4" up to 2 1/4", **add \$25 list.** 7 Pin Cylinder applications, **add \$24 list.**

Risers

Model No.	Description	List Price
RSR1490	1490 Riser Pkg	96

Strikes - Concealed Vertical Rod

Model No.	Description	Non-Finish	P13, P35, US32D
PB48	Top strike for 1990/1490/1690/2390 devices.	-	26
SHIM.112	PB48 Strike Shim (Pkg Qty: 10)	27	-

Prices subject to change without notice

EXITS

Pushpads

Commercial /
Medium Duty

1490 Series

1590 Series

**Devices are priced 36",
Aluminum or Hollow Metal Doors.**

(Price includes TD35 Strike. Retractor needed for cylinder operation only furnished with 1592/3/4/5.



Model No.	US28	DC13, DC35	Standard Trim
1590EO	745	773	-
1591DT	925	953	9970 Pull
1592NL-OP (Specify if used on pair of doors with Mullion.)	887	915	159CA-NL w/Rim Cylinder
1593HB-OP (Specify if used on pair of doors with Mullion.)	887	915	159CA-HB w/Rim Cylinder
1594NL-P (Specify if used on pair of doors with Mullion.)	1067	1095	9970 Pull 159CA-NL w/Rim Cylinder
1595HB-P (Specify if used on pair of doors with Mullion.)	1067	1095	9970 Pull 159CA-HB w/Rim Cylinder

REFERENCE NOTES:

Specify if Door Material other than Aluminum.

Device furnished non-handed with RHR and LHR Pushbar labels for field installation.

Cylinder assembly furnished in DC35 finish, unless specified. Available finishes DC13, US28 & DC35.

Rim cylinder supplied standard with NL and HB options is C keyway.

1590 Device Options

		List Add
Matching Dummy Touchbar	Specify 1498 series. Refer to 1490 Device Page 254 for pricing.	-
Extra Length	42" 1590 Device	35.00
	48" 1590 Device	76.00
Door Thickness	For Doors greater than 1 3/4" up to 2 1/4" using cylinder assembly	25.00
Rim Cylinder	For Door with cylinder assembly (3216 - C Keyway)	96.00
7 Pin Cylinder Assembly	For Door with cylinder assembly and using 7 pin cylinder	24.00
Risers (1/2")	Specify device "x Riser" (example 1590EO x 36" x US28 x Riser)	96.00
Signal Switch	Base Exit Device unit modified with signal switch (SPDT) indicating latch condition. Prefix device "S".	413.00
Electric Latch Retraction	Base Exit Device unit modified with Electric Latch Retraction and Signal Switch (SPDT). Prefix device "EL". EL Kits are field replaceable, please refer to page 263 for part numbers.	936.00

(One PS914 x 900-2RS is the minimum requirement to power one or two EL devices.

See Power Supply Section for requirements and options.)

Prices subject to change without notice

Offset Pull

Model No.		Non-Finish	DC13, DC35, US28	US26, US26D
9970 Pull		-	180	405
STUD.102	9970 Mounting Stud (Pkg Qty 10)	32	-	-

Replacement Cylinders

Model No.	Description		US26D, US10B
3216	Rim Cylinder C Keyway		96

Cylinder Assembly

Model No.	Description		US28, DC13, DC35
159CA-NL	Cylinder Assembly Less Cylinder		46
159CA-HB	Cylinder Assembly Less Cylinder		46

REFERENCE NOTES:

Door Thickness greater than 1 3/4" up to 2 1/4", **add \$25 list.** 7 Pin Cylinder applications, **add \$24 list.**

Retractors

Model No.	Description		List Price
For field conversion of 1590 inactive device to NL or HB functions.			
RTR10	1590 Retractor Single Door		17
RTR11	1590 Retractor Single Door with Riser		17
RTR12	1590 Retractor Pair with Mullion 1 3/4" Door		17
RTR13	1590 Retractor Pair with Mullion 2 1/4" Door		17
RTR14	1590RL Retractor 1 3/4" Door		97
RTR15	1590RL Retractor 2 1/4" Door		97

Risers

Model No.	Description		List Price
RSR1590	1590 Riser Pkg		96

Strikes - Rim

Model No.	Description	Black	P28	P13	P35	Non-Finish
STK45	Strike for inactive door, pair of doors with 1590/1790/2090 devices	-	-	-	88	-
TD35	Strike for single doors, 1590 and 1790 device	-	-	-	121	-
SHIM.150	TD35 Strike Shim	27	-	-	-	-
SCREW.1016	TD35 Screw 10-32 x 1" FPHMS (Pkg Qty 25)	25	-	-	-	-
4270109590	TD35 Wear Strip	-	-	-	-	14
RIVET.101	TD35 Drive Rivet (Pkg Qty 25)	-	-	-	-	35

Prices subject to change without notice

EXITS

Pushpads

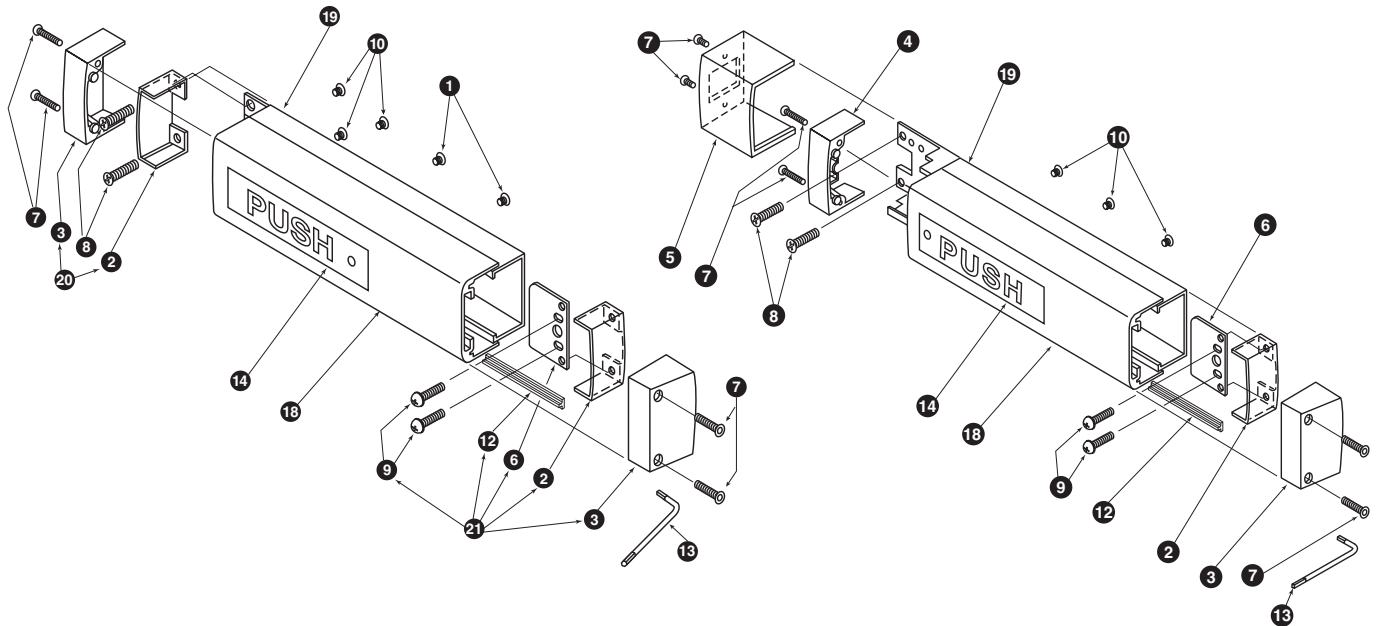
Commercial /
Medium Duty

1490 / 1590
Series

Pushbar

1490

1590



Part No.	Description	Finish	Pkg. Qty	Price
1	SCREW.1028 10-32 1/4" UFPHMS Screw	-	10	26.00
2	4270106786 1490/1590 Pushbar Mounting Bracket	-	each	27.00
3	4270106787 1490/1590 Pushbar End Cap	P35	each	49.00
4	4270106875 1590 Pushbar End Cap	P35	each	23.00
5	4270106863 1590 Center Case Cover P35	P35	each	31.00
6	4270106770 1490/1590 P/Bar Hingeside Mounting Plate	-	each	15.00
7	SCREW.1050 8-32 1" FH Torx Screw (before September, 2004)	-	10	34.00
	SCREW.1143 8-18 1.1/4" FPH TF Typ 25	-	10	26.00
8	SCREW.1282 12-24 1 1/2" UFPHMS Screw (1490)	-	10	27.00
	SCREW.1066 12-24 1" UFPHMS Screw (1590)	-	10	27.00
9	SCREW.1053 12-24 1" PPH W/SEMS EXT TF Screw	-	10	27.00
10	SCREW.1012 8-32 1/4" UFPHMS Screw	US32D	10	14.00
	SCREW.1055 8-32 1/4" UFPHMS Screw	BLACK	10	14.00
12	BUMPER.103 Pushbar Bumper 4' (2 ea. Required)	-	each	14.00
14	4270107321 1490 RHR/1590 LHR Push Label	BLACK	each	31.00
	4270107323 1490 LHR/1590 RHR Push Label	BLACK	each	31.00
	4270107320 1490 RHR/1590 LHR Push Label	GOLD	each	31.00
	4270107322 1490 LHR/1590 RHR Push Label	GOLD	each	31.00

Prices subject to change without notice

Pushbar

Part No.	Description	Finish	Pkg. Qty	Price	
18	4270107027	1490 Pushbar 36"	US28	each	122.00
	4270107028	1490 Pushbar 36"	DC13	each	128.00
	4270107029	1490 Pushbar 36"	DC35	each	128.00
	4270107685	1490 Pushbar 36"	US3	each	1259.00
	4270107689	1490 Pushbar 36"	US4	each	1259.00
	4270107686	1490 Pushbar 36"	US10	each	1259.00
	4270107691	1490 Pushbar 36"	US10B	each	1319.00
	4270107687	1490 Pushbar 36"	US14	each	1319.00
	4270107688	1490 Pushbar 36"	US15	each	1319.00
18	4270107031	1490 Pushbar 48"	US28	each	131.00
	4270107032	1490 Pushbar 48"	DC13	each	138.00
	4270107033	1490 Pushbar 48"	DC35	each	138.00
	4270107703	1490 Pushbar 48"	US3	each	1266.00
	4270107707	1490 Pushbar 48"	US4	each	1266.00
	4270107704	1490 Pushbar 48"	US10	each	1266.00
	4270107709	1490 Pushbar 48"	US10B	each	1323.00
	4270107705	1490 Pushbar 48"	US14	each	1323.00
	4270107706	1490 Pushbar 48"	US15	each	1323.00
18	4270107091	1590 Pushbar 36"	US28	each	131.00
	4270107092	1590 Pushbar 36"	DC13	each	138.00
	4270107093	1590 Pushbar 36"	DC35	each	138.00
	4270107712	1590 Pushbar 36"	US3	each	1259.00
	4270107716	1590 Pushbar 36"	US4	each	1259.00
	4270107713	1590 Pushbar 36"	US10	each	1259.00
	4270107718	1590 Pushbar 36"	US10B	each	1326.00
	4270107714	1590 Pushbar 36"	US14	each	1326.00
	4270107715	1590 Pushbar 36"	US15	each	1326.00
18	4270107095	1590 Pushbar 48"	US28	each	149.00
	4270107096	1590 Pushbar 48"	DC13	each	154.00
	4270107097	1590 Pushbar 48"	DC35	each	154.00
	EXT.255	1590 Pushbar 48"	US3	each	1280.00
	EXT.259	1590 Pushbar 48"	US4	each	1280.00
	EXT.256	1590 Pushbar 48"	US10	each	1280.00
	EXT.261	1590 Pushbar 48"	US10B	each	1341.00
	EXT.257	1590 Pushbar 48"	US14	each	1341.00
	EXT.258	1590 Pushbar 48"	US15	each	1341.00
19	4270107034	1490 Channel 36"	US28	each	122.00
	4270107035	1490 Channel 36"	DC13	each	128.00
	4270107036	1490 Channel 36"	DC35	each	128.00
19	4270107038	1490 Channel 48"	US28	each	131.00
	4270107039	1490 Channel 48"	DC13	each	138.00
	4270107040	1490 Channel 48"	DC35	each	138.00
19	4270107587	1590 Channel 36"	US28	each	149.00
	4270107588	1590 Channel 36"	DC13	each	154.00
	4270107589	1590 Channel 36"	DC35	each	154.00
19	4270107591	1590 Channel 48"	US28	each	162.00
	4270107592	1590 Channel 48"	DC13	each	171.00
	4270107593	1590 Channel 48"	DC35	each	171.00
20	ECAP.111	1490 Lockside End Cap Assembly	P35	each	38.00
21	ECAP.103	1490 Hingside End Cap Assembly	P35	each	44.00
	PKG.102	1490 Mounting Package	US28	each	25.00
	PKG.104	1490 Mounting Package	DC35	each	26.00
	PKG.105	1590 Mounting Package	-	each	25.00

EXITS

Pushpads

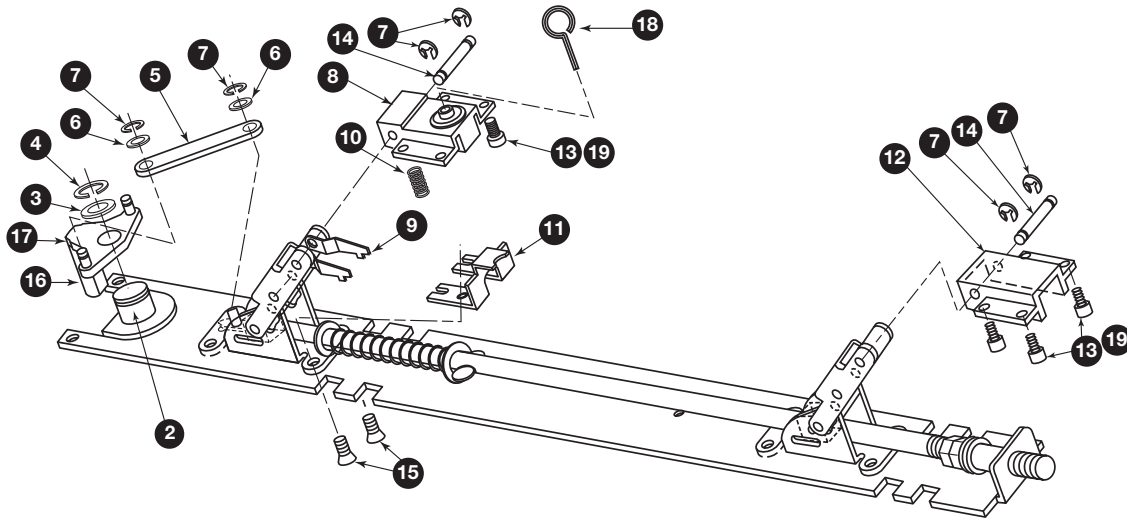
Commercial / Medium Duty

1490 / 1590 Series

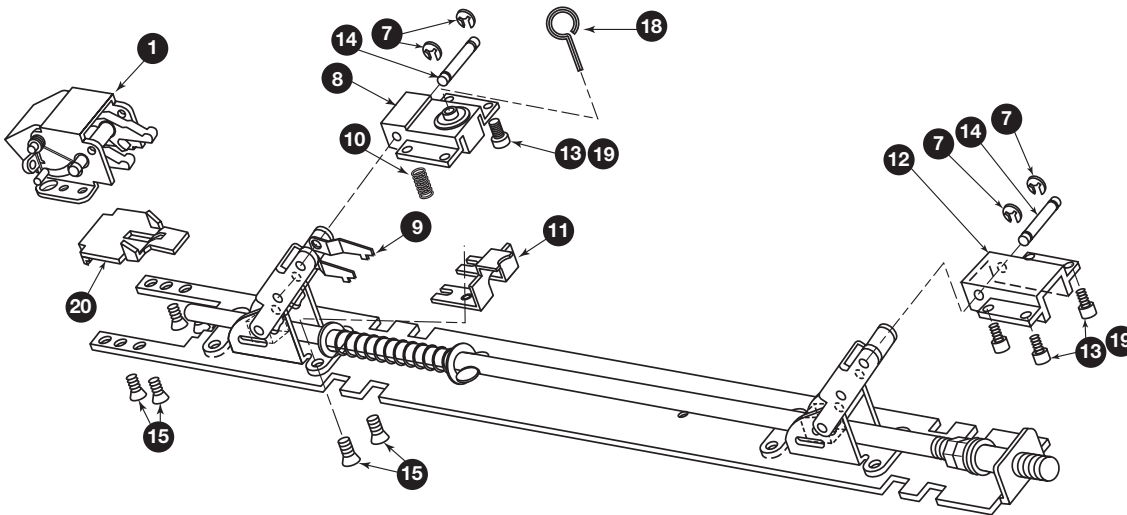
Prices subject to change without notice

Activating Baseplate Assembly

1490



1590



Prices subject to change without notice

Activating Baseplate Assembly

	Part No.	Description	Finish	Pkg. Qty	Price
1	4270107603	1590 Latchbolt Assembly	-	each	131.00
2	4270106769	Lift Lever Axle	-	each	15.00
3	WASHER.102	Lift Lever Washer	-	10	24.00
4	RRING.104	Retaining Ring .500"	-	10	17.00
5	4270106773	Link	-	each	14.00
6	WASHER.103	Link Washer	-	10	24.00
7	RRING.105	Retaining Ring .188"	-	10	14.00
8	4270107046	Dogging Bracket Assembly	-	each	74.00
9	971659-79	Dogging Clip	-	each	40.00
10	4299101020	Compression Spring	-	each	10.00
11	971660-79	Act. Rod Spring Stop CZNC	-	each	17.00
12	4270106977	Clevis	-	each	103.00
13	SCREW.1136	8-32 3/8" PPHMS w/Sems	-	10	38.00
14	AXLE.1007	Clevis Assembly Axle	-	10	17.00
15	SCREW.1043	10-32 3/8" UFPHMS Screw	-	10	17.00
16	4270106745	Lift Lever	-	each	24.00
17	4270106772	Pivot Pin	-	each	24.00
18	KEY.10020	Hex Dogging Key 5/32"	-	10	49.00
19	WASHER.107	#8 Washer Hi-Collar	-	10	15.00
20	4270106888	1590 Retractor-Sgl Dr 1 3/4" (Only furnished with 1592/3/4/5)	-	each	17.00
	4270107422	1590 Retractor-Sgl Dr 2 1/4" (Only furnished with 1592/3/4/5)	-	each	17.00
	4270107520	1590 Retractor-Pair w/Mullion 1 3/4" Dr (Only furnished with 1592/3/4/5)	-	each	17.00
	4270107521	1590 Retractor-Pair w/Mullion 2 1/4" Dr (Only furnished with 1592/3/4/5)	-	each	17.00

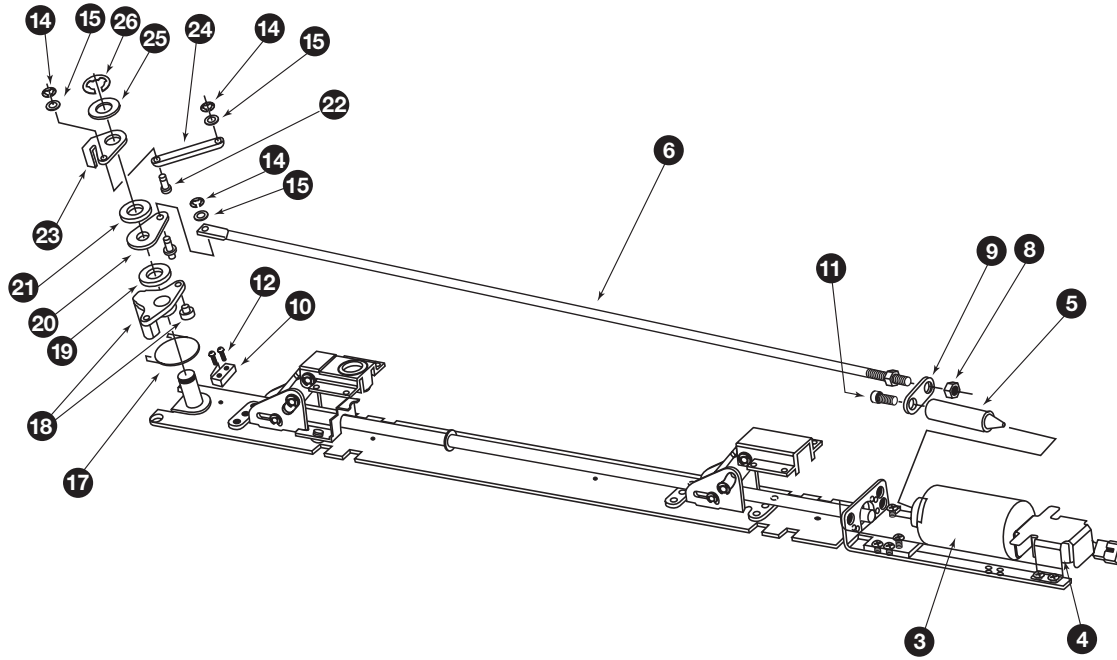
1490 Base Plate Assemblies

	4270107061	1490 Baseplate Assembly LHR 36"	-	each	513.00
	4270107048	1490 Baseplate Assembly LHR 48"	-	each	574.00
	4270107047	1490 Baseplate Assembly RHR 36"	-	each	513.00
	4270107060	1490 Baseplate Assembly RHR 48"	-	each	574.00
	4270107089	1590 Baseplate Assembly 36"	-	each	368.00
	4270107090	1590 Baseplate Assembly 48"	-	each	433.00

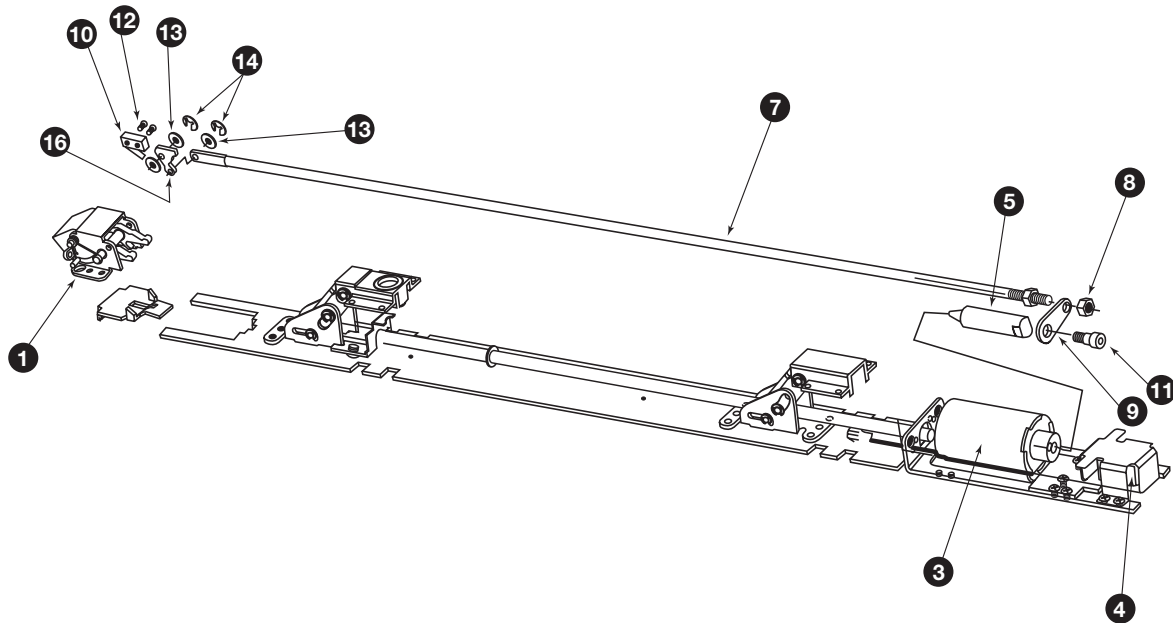
Prices subject to change without notice

Activating Baseplate Assembly

EL1490



EL1590



Prices subject to change without notice

Activating Baseplate Assembly

	Part No.	Description	Finish	Pkg. Qty	Price	
	1	4270107623	EL1590 Latchbolt Assembly 36"	-	each	388.00
		LATCHR.102	EL1590 Latchbolt Assembly 48"	-	each	394.00
2	4270108763	S1590 Latchbolt Assembly	-	each	289.00	
3	SOLENOID.142	EL Solenoid	-	each	255.00	
4	050534-00	EL Potted Circuit Breaker	-	each	327.00	
5	PLUNGER.101	EL Solenoid Plunger	-	each	77.00	
	110388-00	EL Cable Assembly (not shown)	-	each	49.00	
6	4270107193	EL1490 Pull Rod 36"	-	each	40.00	
	4270107361	EL1490 Pull Rod 48"	-	each	47.00	
7	4270107342	EL1590 Push Rod 36"	-	each	47.00	
	4270107360	EL1590 Push Rod 48"	-	each	62.00	
8	NUT.103	1/4-20 Hex Nut	-	10	10.00	
9	4270107341	EL1590 Link	-	each	10.00	
10	SWITCH.1002	Subminiature Switch Assembly 36"	-	each	70.00	
	SWITCH.1004	Subminiature Switch Assembly 48"	-	each	76.00	
11	SCREW.1061	1/4-20 29/32" Soc Shoulder Screw	BLACK	10	37.00	
	SCREW.1136	8-32 3/8" PPH w/Sems Machine Screw	-	10	37.00	
12	SCREW.1063	2-56 RHMS Screw	-	10	10.00	
	SCREW.1065	8-32 1/4" PPH MS Typ 2A Screw	-	10	10.00	
14	RRING.105	Retaining Ring .188	-	10	14.00	
15	WASHER.103	Link Washer	-	10	24.00	
16	LEVER.103	EL1590 Release Lever Assembly	-	each	80.00	
17	4270107429	EL1490 Lift Lever Spring-LHR	-	each	10.00	
	4270107430	EL1490 Lift Lever Spring-RHR	-	each	10.00	
18	LEVER.104	EL1490 Lift Lever Sub-Assembly LHR	-	each	37.00	
	LEVER.105	EL1490 Lift Lever Sub-Assembly RHR	-	each	37.00	
19	4270107194	EL Lift Lever Spacer	-	each	16.00	
20	4270107192	EL1490 Pivot Bracket	-	each	10.00	
21	4270109142	Lift Lever Washer	-	each	15.00	
22	4270107186	Link Pin	-	each	10.00	
23	4270107188	EL1490 Lift Lever Bracket-LHR	-	each	10.00	
	4270107189	EL1490 Lift Lever Bracket-RHR	-	each	10.00	
24	4270106773	1490 Link	-	each	14.00	
25	WASHER.102	Lift Lever Washer	-	10	23.00	
26	RRING.104	Retaining Ring .500	-	10	16.00	
27	4270107363	Pivot Pin YZNC STL	-	each	10.00	

S1490/S1590 Baseplate Assemblies

	BASEASY.210	S1490 Baseplate Assembly LHR 36"	-	each	1,021.00
	BASEASY.211	S1490 Baseplate Assembly LHR 48"	-	each	1,081.00
	BASEASY.208	S1490 Baseplate Assembly RHR 36"	-	each	1,021.00
	BASEASY.209	S1490 Baseplate Assembly RHR 48"	-	each	1,081.00
	BASEASY.220	S1590 Baseplate Assembly 36"	-	each	877.00
	BASEASY.221	S1590 Baseplate Assembly 48"	-	each	939.00

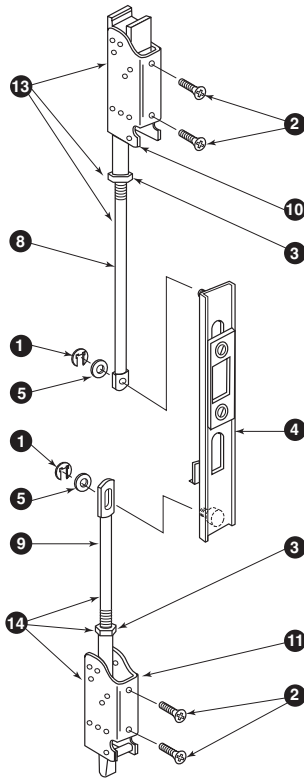
EL1490/EL1590 Baseplate Assemblies

	KIT.1011	EL1490 Conversion Kit LHR 36"	-	each	1,066.00
	KIT.1010	EL1490 Conversion Kit RHR 36"	-	each	1,066.00
	KIT.1013	EL1490 Conversion Kit LHR 48"	-	each	1,066.00
	KIT.1012	EL1490 Conversion Kit RHR 48"	-	each	1,066.00
	KIT.1008	EL1590 Conversion Kit 36"	-	each	1,066.00
	KIT.1009	EL1590 Conversion Kit 48"	-	each	1,066.00

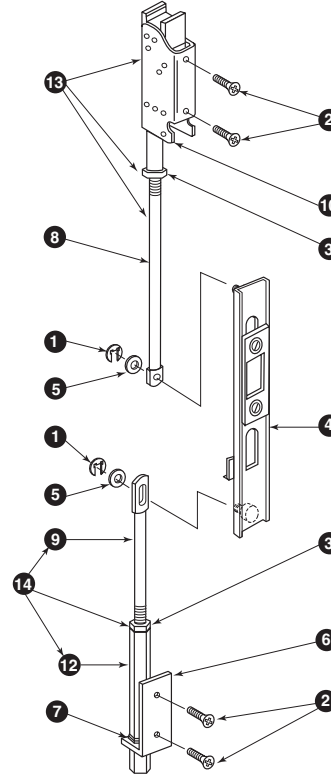
Prices subject to change without notice

Rod Assembly

Standard Rod Assembly



EL Rod Assembly

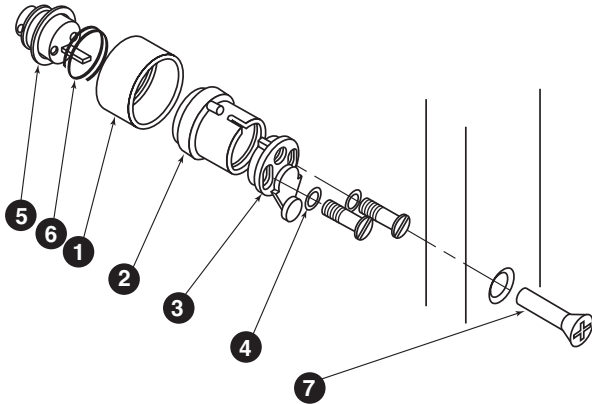


Part No.	Description	Finish	Pkg. Qty	Price
1	RRING.103 Retaining Ring .250	-	25	14.00
2	SCREW.1028 10-32 1/4" UFPH Screw	US32D	10	26.00
	SCREW.1029 10-32 1/4" UFPH Screw	BLACK	10	26.00
3	NUT.101 3/8-24 Jam Nut	-	10	26.00
4	4270106796 Lift Bracket Assembly	-	each	69.00
	4270107495 EL Lift Bracket Assembly	-	each	79.00
5	WASHER.116 Rod Washer	-	10	17.00
6	4270108426 EL Hex Rod Guide Assembly	US32D	each	49.00
	GUIDE.101 EL Hex Rod Guide Assembly	P35	each	49.00
7	BUSH.107 EL Hex Bushing	-	10	26.00
	GUIDE.102 HH Hex Rod Guide Assembly	P35	each	71.00
8	4270106776 Top Rod 35.000"	-	each	66.00
9	4270106775 Standard Bottom Rod 31.625"	-	each	66.00
	4270109003 EL Bottom Rod 34.625"	-	each	73.00
10	4270105926 EL Top Latch	-	each	162.00
	4270101806 SU Top Latch	-	each	121.00
11	4270100521 RL Bottom Latch	-	each	103.00
12	4270101830 Hex Bottom Bolt	-	each	44.00
13	RODASY.110 1490 Top Rod Assembly 7' Dr	-	each	190.00
	4270109078 EL1490 Top Rod Assembly 7' Dr	-	each	230.00
14	RODASY.112 Bottom Rod Assembly	-	each	113.00
	4270109077 EL1490 Bottom Rod Assembly	-	each	124.00
15	4270106782 1490 Top/Btm Rod Assembly 7' Dr	-	each	368.00
	4270107497 EL1490 Top/Btm Rod Assembly 7' Dr	-	each	412.00
	4270107791 Extension Rod Kit over 7' up to 10' Drs	-	each	134.00

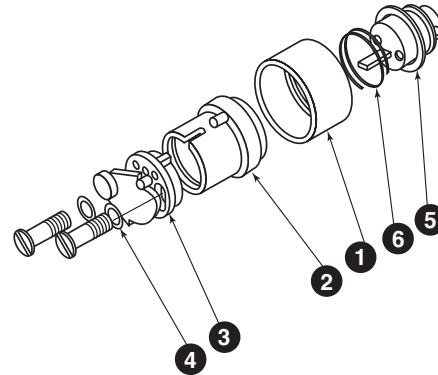
Prices subject to change without notice

Cylinder Assembly

1490



1590



Cam Assembly



Hold Back



Night Latch

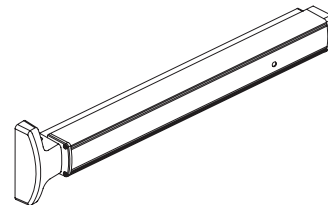
	Part No.	Description	Finish	Pkg. Qty	Price	
1	4270107213	Cylinder Collar 1.00"	P28	each	26.00	
	4270107214	Cylinder Collar 1.00"	P13	each	26.00	
	4270107215	Cylinder Collar 1.00"	P35	each	26.00	
	4270109005	Cylinder Collar 7 Pin 1.25"	P28	each	38.00	
	4270109006	Cylinder Collar 7 Pin 1.25"	P13	each	38.00	
	4270109007	Cylinder Collar 7 Pin 1.25"	P35	each	38.00	
	2	4270107286	Cylinder Tube w/Pin 1 3/4" DR	-	each	41.00
4270107833		Cylinder Tube w/Pin 2" DR	-	each	71.00	
4270107787		Cylinder Tube w/Pin 2 1/4" DR	-	each	71.00	
4270109009		Cylinder Tube w/Pin 7 Pin 1 3/4" DR	-	each	71.00	
4270109190		Cylinder Tube w/Pin 7 Pin 2" DR	-	each	71.00	
4270109630		HH Cylinder Tube w/Pin 2 3/8" DR	-	each	49.00	
CTUBE.232		HH Cylinder Tube w/Pin 7 Pin 2 3/8" DR	-	each	77.00	
3	4270107268	1490 NL Cam Assembly	-	each	34.00	
	4270107270	1490 HB Cam Assembly	-	each	34.00	
	4270107283	1590 NL Cam Assembly	-	each	34.00	
	4270107285	1590 HB Cam Assembly	-	each	34.00	
	4	WASHER.108	Cylinder Adaptor Washer	-	10	17.00
5		WASHER.109	Cylinder Lock Washer	CZNC	10	24.00
		WASHER.110	Cylinder Lock Washer	BLACK	10	24.00
6	SPRING.105	Cylinder Collar Spring	-	10	11.00	
	7	SCREW.1105	12-24 1.1/2" UFPHMS Screw	CZNC	10	27.00
SCREW.1099		12-24 1.1/2" UFPHMS Screw	BLACK	10	26.00	

Prices subject to change without notice

1690 Series

Devices are priced for 30", 36" x 7',
Aluminum or Hollow Metal Doors.
Hex Bottom Latch furnished standard.

(Price includes PB48 Strike)



Model No.	US28	DC13, DC35	US26	US26D	Standard Trim
1690EO	503	537	656	630	-
1691DT	683	717	1061	1035	9970 Pull
1692NL-OP/HB-OP	599	633	752	726	169CA w/Rim Cylinder
1694NL-P/HB-P	779	813	1157	1131	9970 Pull 169CA w/Rim Cylinder

REFERENCE NOTES:

Devices are supplied 36" x 7' standard, if not specified.

Rim cylinder supplied standard with NL and HB options is C keyway.

Extra Length

	List Add
42"	19.00
48"	27.00

Optional Latches

Suffix		List Add
RL	Rod Bottom Latch	30.00
PL	Pullman Bottom Latch	30.00
ES	Top Latch for use with Electric Strikes Device Furnished LBR (Less Bottom Rod and Less Strike) deduct \$26 List	34.00
Less Rods	For retrofit of 1990 crossbar device, deduct \$49 List	

Door Heights over 7'

	List Add
Up to 8'	69.00
Up to 9'	87.00
Up to 10'	101.00

Device Options

		List Add
RX Switch	Base Exit Device unit modified Request to Exit Switch monitoring pushpad. Prefix device "RX".	224.00
Electric Latch Retraction	Base Exit Device unit modified with Electric Latch Retraction. Prefix device "EL". The EL option is not field replaceable on this model.	602.00
(One PS914 x 900-2RS is the minimum requirement to power one or two EL devices. See Power Supply Section for requirements and options.)		
Electric Dogging	Base Exit Device unit modified with Electric Dogging Prefix device "ED".	602.00
HH	Hurricane device. Available up to 8' device only. Prefix device "HH". HH is for a Hurricane device for all door manufactures other than YKK.	120.00
HHYKK	Hurricane device. Available up to 8' device only. Prefix device "HHYKK". HHYKK is for a Hurricane device for door manufacture YKK.	120.00

REFERENCE NOTES:

For EL1690 Door widths other than the standard size (30", 36", 42" or 48"), please specify exact door width. For non-standard widths, the price of the next widest standard size will apply.

HH (Hurricane) 1690 devices are hurricane rated by specific door manufacturers. Consult your device manufacturer to assure the HH1690 is hurricane rated with their door solution.

Prices subject to change without notice

Offset Pull

Model No.		Non-Finish	DC13, DC35, US28	US26, US26D
9970 Pull		-	180.00	405.00
STUD.102	9970 Mounting Stud (Pkg Qty 10)	32.00	-	

Replacement Cylinders

Model No.	Description	US26D, US10B
3216	Rim Cylinder C Keyway	96

Cylinder Assembly

Model No.	Description	Non-Finish
169CA	Cylinder Assembly Less Cylinder	30

Strikes - Concealed Vertical Rod

Model No.	Description	Non-Finish	P13, P35, US32D
PB48	Top strike for 1990/1490/1690/2390 devices.	-	26
SHIM.112	PB48 Strike Shim (Pkg Qty: 10)	27	-

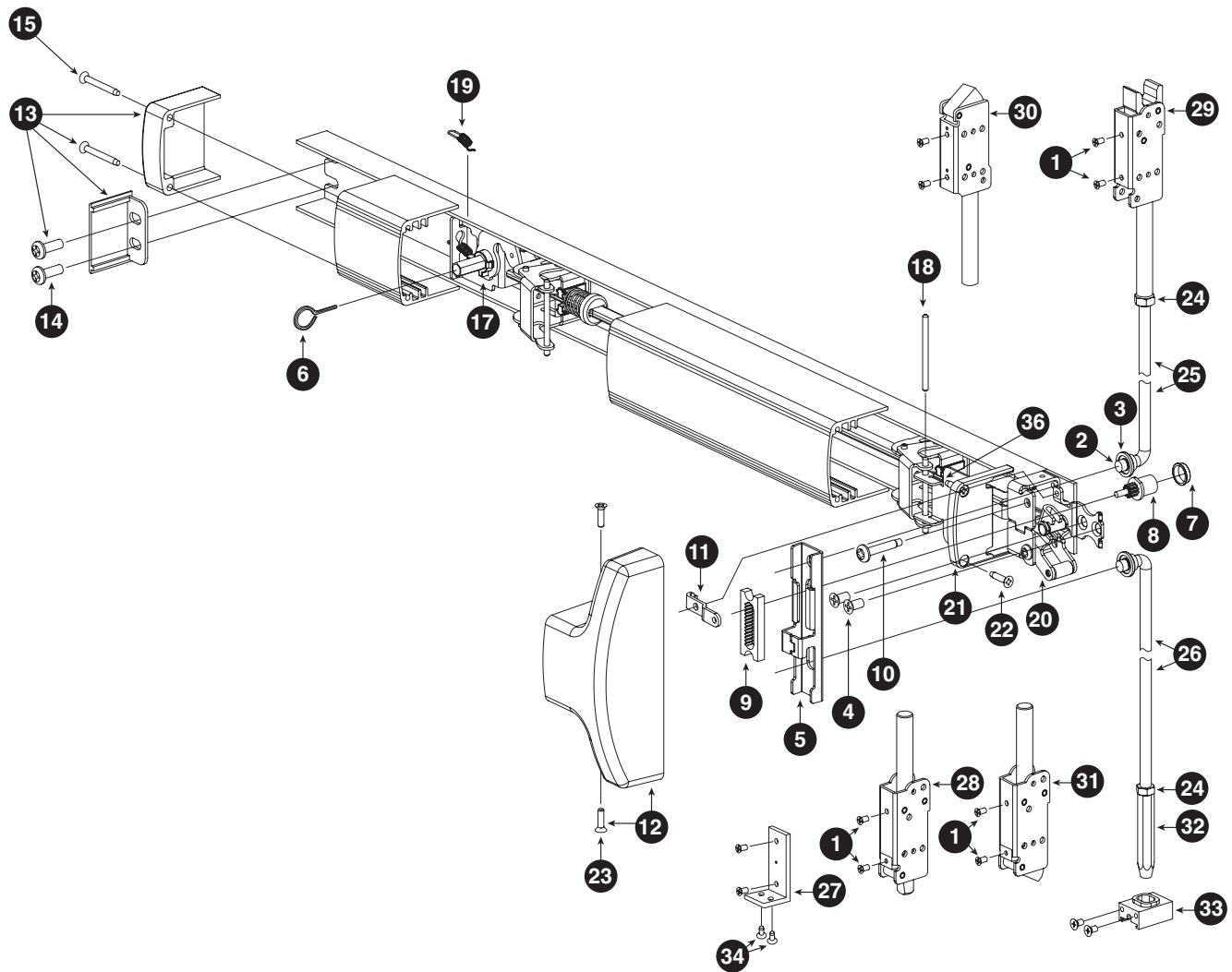
EXITS

Pushpads

Commercial /
Medium Duty

1690 Series

Prices subject to change without notice



Part No.	Description	Finish	Pkg. Qty	Price
1	SCREW.1028	US32D	10	26.00
	SCREW.1029	BLACK	10	26.00
2	BUSH.109	Bearing Bushing	10	27.00
3	RRING.109	Retaining Ring .250"	25	24.00
4	SCREW.1069	Lock Stile Mounting Screw	10	15.00
5	BRKT.138	Lift Bracket	each	26.00
6	KEY.10020	Hex Dogging Key 5/32"	10	49.00
	PKG.150	Auxiliary Package (part 1-6)	each	27.00
	PKG.151	Auxiliary Package (part 1-6)	each	27.00
7	BUSH.102	Cylinder Bushing	10	27.00
8	CAM.102	Pinion Cam	10	149.00
	4270903177	Pinion Cam	each	24.00
9	RETRACT.101	Rod Retractor	10	62.00
10	SCREW.1074	Retainer Screw	10	24.00
11	BRKT.478	Pinion Support Bracket	each	10.00
12	COVER.113	Center Case Cover Kit	each	42.00
13	ECAP.130	Channel/Hinge End Cap Kit	each	29.00

Prices subject to change without notice

1690 Series Exploded View And Parts List

	Part No.	Description	Finish	Pkg. Qty	Price
14	SCREW.1070	1/4-20 1/2" PPHMS Screw	-	10	14.00
15	SCREW.1072	#8 1.1/2" FPH TC Typ AB Screw (before September, 2004)	-	10	14.00
	SCREW.1143	8-18 1.1/4" FPH TF Typ 25	-	10	26.00
16	SCREW.1067	1/4-20 3/8" Hex Soc Set Screw	BLACK	3	15.00
	SCREW.1068	1/4-20 3/8" Hex Soc Set Screw	US28	3	15.00
17	KIT.1197	Dogging Kit		each	35.00
18	PIN.128	Push Bar Pin	-	10	14.00
19	971493-76	Dogging Spring	-	each	10.00
20	BRKTASY.107	Actuator Arm Bracket Assy	-	each	17.00
21	ECAP.129	Lock Stile Push Bar End Cap	P35	each	17.00
22	SCREW.1077	8-3/4" FPHSMS (before September, 2004)	BLACK	10	26.00
	SCREW.1141	8-18 .3/4" FPH TF Typ 25	-	10	20.00
23	SCREW.1025	8-5/8" FPHSMS (before September, 2004)	BLACK	10	24.00
24	NUT.101	Rod Jam Nut	-	10	26.00
25	4270100017	SU/PL/ES/RL Rod (Standard)	-	each	37.00
	4270102427	SU/PL/ES/RL Rod-1/4" Insulclad 7'	-	each	37.00
	4270102426	SU/PL/ES/RL Rod-1/4" Insulclad 8'	-	each	119.00
	4270100018	SU Rod 8' Door	-	each	119.00
	4270100172	SU Ext Rod Kit Up to 9' Dr (not shown)	-	each	105.00
	4270100197	SU Ext Rod Kit Up to 10' Dr (not shown)	-	each	122.00
26	4270101825	Hex Bottom Rod	-	each	37.00
27	BRKTASY.101	Latch Mtg Bracket Kit-HMD	-	each	51.00
28	● 4270100521	RL Bottom Latch	-	each	103.00
29	● 4270101806	SU Top Latch	-	each	121.00
30	● 4270100346	ES Top Latch	-	each	141.00
31	● 4270101482	PL Bottom Latch	-	each	103.00
32	BOLT.1004	Hex Bottom Bolt Beveled	-	each	49.00
33	4270107176	Hex Rod Guide Assembly	US32D	each	42.00
	4270107178	Hex Rod Guide Assembly	P35	each	42.00
	SCREW.1076	Hex Rod Guide Screws	US28	10	10.00
	SCREW.1081	Hex Rod Guide Screws	DC13/DC35	10	10.00
	PIN.110	ES Latch Pin	-	10	25.00
	PIN.109	SU/ES/PL/HH Latch Spirol Pin	-	10	20.00
34	SCREW.1037	10-32 3/8" FPHMS	-	25	24.00
	● 4270106632	SU Top Rod Assembly 7' Dr	-	each	162.00
	● 4270106633	SU Top Rod Assembly 8' Dr	-	each	243.00
	● 4270101818	SU Top Rod Assembly 9' Dr	-	each	264.00
	● 4270101819	SU Top Rod Assembly 10' Dr	-	each	287.00
	● 4270101873	ES Top Rod Assembly 7' Dr	-	each	204.00
	4270101874	ES Top Rod Assembly 8' Dr	-	each	309.00
	● 4270100522	RL Bottom Rod Assembly	-	each	162.00
	RODASY.1075	Hex Bottom Rod Assembly	-	each	114.00
	● 4270100266	PL Bottom Rod Assembly	-	each	166.00
36	BRKT.128	Pushbar Anchor Bracket	-	each	10.00

REFERENCE NOTES:

- Specify if door material other than aluminum. Complete rod and latch assembly includes (4270100017) standard rod and (Nut.101). Part numbers shown are for standard centerlines and assembled lengths.

Prices subject to change without notice

Part No.	Description	Finish	Pkg. Qty	Price
KIT.1156	NL Cylinder Assy & Auxiliary Parts (parts 1-10)	US28	each	66.00
KIT.1157	NL Cylinder Assy & Auxiliary Parts (parts 1-10)	DC13/DC35	each	66.00
169CA	1690NL Cylinder Assembly (parts 7-11)	-	each	30.00
SCREW.1121	10-32 3/8" UFPH TF	US28	8	11.00
SCREW.1114	10-32 3/8" UFPH TF	DC13/DC35	8	11.00
BRKT.156	Center Case Bracket	-	each	17.00
SWITCH.1006	RX Switch Wire Assembly (not shown) Valid for Field Install RX Option on Devices shipped after June, 2002	-	each	237.00
050534-00	EL Potted Circuit Breaker (not shown)	-	each	327.00
971687-00	EL Solenoid 24 VDC (not shown)	-	each	266.00
PLUNGER.101	EL Plunger (not shown)	-	each	77.00
110388-00	EL Cable Assembly (not shown)	-	each	49.00

1690/1790 Pushbars and Channels Standard EL

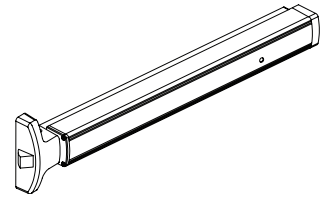
EXT.827	EXT.830	1690/1790 Pushbar 30"	US28	each	113.00
EXT.828	EXT.825	1690/1790 Pushbar 30"	DC13	each	131.00
EXT.829	EXT.826	1690/1790 Pushbar 30"	DC35	each	131.00
EXT.2351	EXT.2323	1690/1790 Pushbar 30"	US3	each	309.00
EXT.2352	EXT.2333	1690/1790 Pushbar 30"	US10	each	278.00
EXT.2353	EXT.2338	1690/1790 Pushbar 30"	US26	each	309.00
EXT.2354	EXT.2340	1690/1790 Pushbar 30"	US26D	each	278.00
EXT.608	EXT.398	1690/1790 Pushbar 36"	US28	each	113.00
EXT.609	EXT.399	1690/1790 Pushbar 36"	DC13	each	131.00
EXT.631	EXT.400	1690/1790 Pushbar 36"	DC35	each	131.00
EXT.2355	EXT.2324	1690/1790 Pushbar 36"	US3	each	309.00
EXT.2356	EXT.2334	1690/1790 Pushbar 36"	US10	each	278.00
EXT.2357	EXT.2339	1690/1790 Pushbar 36"	US26	each	309.00
EXT.2358	EXT.2289	1690/1790 Pushbar 36"	US26D	each	278.00
EXT.646	EXT.438	1690/1790 Pushbar 42"	US28	each	122.00
EXT.736	EXT.439	1690/1790 Pushbar 42"	DC13	each	146.00
EXT.737	EXT.441	1690/1790 Pushbar 42"	DC35	each	146.00
EXT.2359	EXT.2341	1690/1790 Pushbar 42"	US3	each	320.00
EXT.2360	EXT.2345	1690/1790 Pushbar 42"	US10	each	289.00
EXT.2361	EXT.2349	1690/1790 Pushbar 42"	US26	each	320.00
EXT.2362	EXT.2350	1690/1790 Pushbar 42"	US26D	each	289.00
EXT.738	EXT.442	1690/1790 Pushbar 48"	US28	each	131.00
EXT.739	EXT.443	1690/1790 Pushbar 48"	DC13	each	154.00
EXT.740	EXT.444	1690/1790 Pushbar 48"	DC35	each	154.00
EXT.2363	EXT.2298	1690/1790 Pushbar 48"	US3	each	329.00
EXT.2364	EXT.2303	1690/1790 Pushbar 48"	US10	each	296.00
EXT.2365	EXT.2304	1690/1790 Pushbar 48"	US26	each	329.00
EXT.2366	EXT.2294	1690/1790 Pushbar 48"	US26D	each	296.00
EXT.175		1690 Channel 27.138	US28	each	27.00
EXT.177		1690 Channel 27.138	DC13	each	42.00
EXT.741		1690 Channel 33.138	US28	each	30.00
EXT.742		1690 Channel 33.138	DC13	each	35.00
EXT.743		1690 Channel 33.138	DC35	each	34.00
EXT.744		1690 Channel 39.138	US28	each	35.00
EXT.745		1690 Channel 39.138	DC13	each	41.00
EXT.746		1690 Channel 39.138	DC35	each	41.00
EXT.747		1690 Channel 45.138	US28	each	40.00
EXT.748		1690 Channel 45.138	DC13	each	48.00
EXT.749		1690 Channel 45.138	DC35	each	51.00
4270109291		1690 Channel 32.250	US28	each	33.00
4270109295		1690 Channel 44.250	US28	each	40.00
4270109293		1690 Channel 44.250	DC35	each	47.00
EXT.178		1690 Channel 27.138	DC35	each	48.00
4270109297		1690 Channel 44.250	DC35	each	58.00
4270109423		1690 Channel 38.250	US28	each	40.00
4270109424		1690 Channel 38.250	DC13	each	40.00
4270109425		1690 Channel 38.250	DC35	each	58.00
EXT.101		1790 Channel 33.580	US28	each	66.00
EXT.102		1790 Channel 39.580	US28	each	69.00
EXT.103		1790 Channel 45.580	US28	each	73.00
4270109571		1790 Channel 33.580	DC13	each	60.00
4270109572		1790 Channel 39.580	DC13	each	71.00
4270109574		1790 Channel 33.580	DC35	each	67.00
4270109575		1790 Channel 39.580	DC35	each	74.00
4270109576		1790 Channel 45.580	DC35	each	80.00

Prices subject to change without notice

1790 Series

Devices are priced for 30" and 36",
Aluminum or Hollow Metal Doors.

(Price includes TD35 Strike)



Model No.	US28	DC13, DC35	US26	US26D	Standard Trim
1790EO	458	489	609	587	-
1791DT	638	669	1014	992	9970 Pull
1792NL-OP/HB-OP	554	585	705	683	179CA w/Rim Cylinder
1794NL-P/HB-P	734	765	1110	1088	9970 Pull 179CA w/Rim Cylinder

REFERENCE NOTES:

Devices are supplied 36" x 7' standard, if not specified.
Rim cylinder supplied standard with NL and HB options is C keyway.

Extra Length

	List Add
42"	19.00
48"	27.00

Device Options

	List Add
RX Switch	224.00
Base Exit Device unit modified Request to Exit Switch monitoring pushpad. Prefix device "RX".	
Electric Latch Retraction	602.00
Base Exit Device unit modified with Electric Latch Retraction. Prefix device "EL". The EL option is not field replaceable on this model.	
(One PS914 x 900-2RS is the minimum requirement to power one or two EL devices. See Power Supply Section for requirements and options.)	
Electric Dogging	602.00
Base Exit Device unit modified with Electric Dogging Prefix device "ED".	

REFERENCE NOTES:

For EL1790 Door widths other than the standard size (30", 36", 42" or 48"), please specify exact door width.
For non-standard widths, the price of the next widest standard size will apply.

Lever Control

Model No.	Description	P28 P13 P35	US15
179L	Lever Control	350	391
179L-BE	Lever Control, Blank Escutcheon	350	391
179L-NL	Lever Control, Night Latch	350	391

REFERENCE NOTES:

Lever Controls are Handed. Specify handing RHR or LHR.
179L Trims are field retrofittable with all 1790 Series Devices.
For initial installation requiring lever trim, the 1790EO is the suggested device to order with the 179L trims.
179L and L-NL require a 1 1/8" mortise cylinder with straight cam, sold separately.

Prices subject to change without notice

Offset Pull

Model No.		Non-Finish	DC13, DC35, US28	US26, US26D
9970 Pull		–	180	405
STUD.102	9970 Mounting Stud (Pkg Qty 10)	32	–	–

Replacement Cylinders

Model No.	Description	US26D, US10B
3216	Rim Cylinder C Keyway	96

Cylinder Assembly

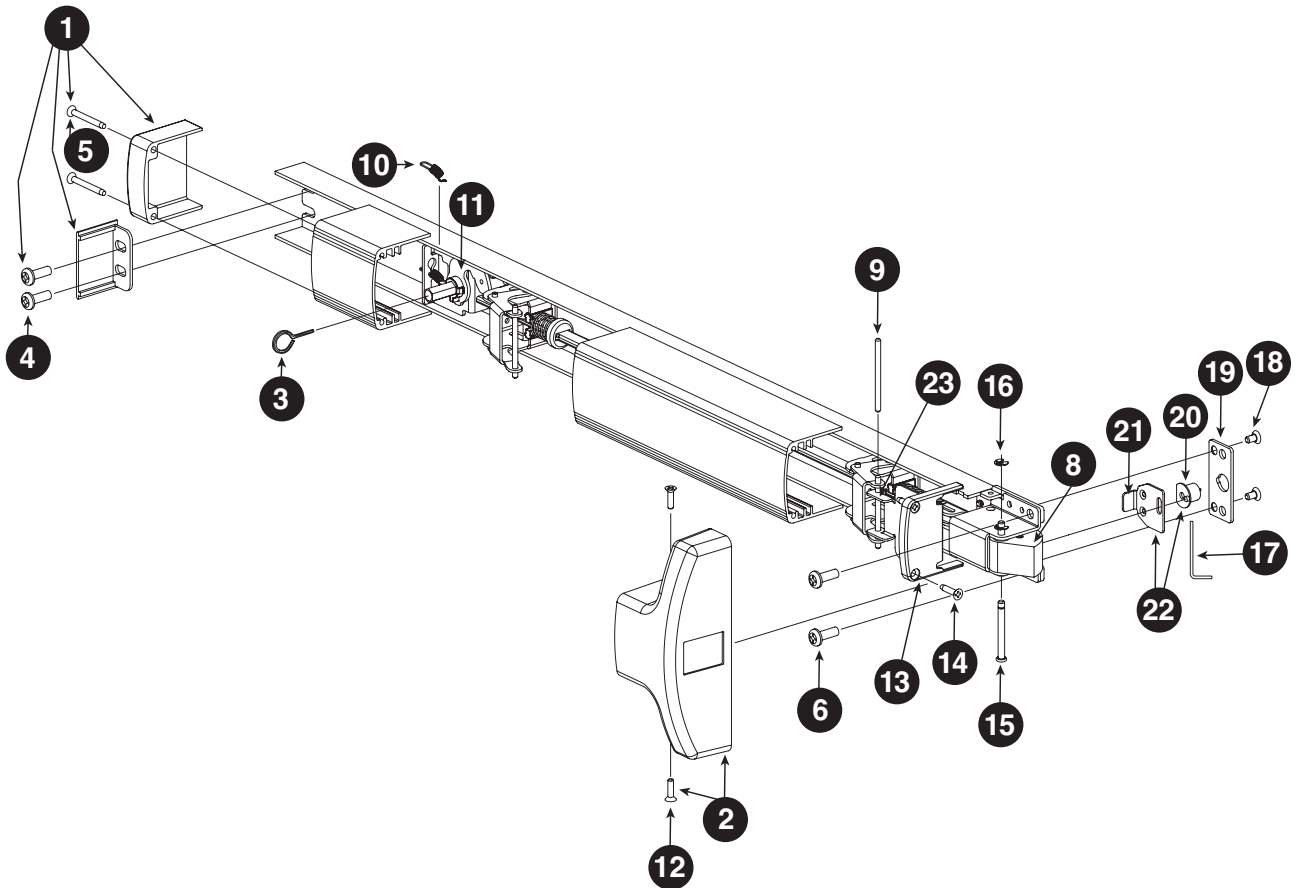
Model No.	Description	Non-Finish
179CA	Cylinder Assembly Less Cylinder	30

Strikes - Rim

Model No.	Description	Non-Finish	Black	P35
STK45	Strike for inactive door, pair of doors with 1590/1790/2090 devices	–	–	88
TD35	Strike for single doors, 1590 and 1790 device	–	–	121
SHIM.150	TD35 Strike Shim	–	27	–
SCREW.1016	TD35 Screw 10-32 x 1" FPHMS (Pkg Qty 25)	–	25	–
4270109590	TD35 Wear Strip	14	–	–
RIVET.101	TD35 Drive Rivet (Pkg Qty 25)	35	–	–

Prices subject to change without notice

EXITS
 Pushpads
 Commercial / Medium Duty
 1790 Series



Prices subject to change without notice

	Part No.	Description	Finish	Pkg. Qty	Price
1	ECAP.130	Channel/Hingeside End Cap Kit	-	each	29.00
2	COVER.120	Center Case Cover Kit	-	each	42.00
3	KEY.10020	Hex Dogging Key 5/32"	-	10	49.00
4	SCREW.1070	1/4-20 1/2" PPHMS Screw	-	10	14.00
5	SCREW.1072	#8 1.1/2" FPH TC Typ AB Screw (before September, 2004)	-	10	14.00
	SCREW.1143	8-18 1.1/4" FPH TF Typ 25	-	10	26.00
6	SCREW.1075	1/4-20 3/4" PPHMS Screw	-	10	15.00
	SCREW.1121	10-32 3/8" UFPH TF	US28	8	11.00
7	PKG.133	Auxiliary Package	-	each	11.00
8	LBOLT.105	Latch Assembly	-	each	66.00
	SWITCH.1006	RX Switch Wire Assembly (not shown) Valid for Field Install RX Option on Devices shipped after June, 2002	-	each	237.00
	050534-00	EL Potted Circuit Breaker (not shown)	-	each	327.00
	971687-00	EL Solenoid 24VDC (not shown)	-	each	266.00
	PLUNGER.101	EL Plunger (not shown)	-	each	77.00
	110388-00	EL Cable Assembly (not shown)	-	each	49.00
9	PIN.128	Pushbar Pin	-	10	14.00
10	971493-76	Dogging Spring	-	each	10.00
11	KIT.1197	Dogging Kit	US28	each	35.00
12	SCREW.1025	8 x 5/8" FPHTC Typ 25 (before July, 2006)	-	10	24.00
13	ECAP.129	Lock Stile End Cap	DC35	each	17.00
14	SCREW.1077	8-3/4" FPHSMS (before September, 2004)	BLACK	10	26.00
	SCREW.1141	8-18 .3/4" FPH TF Typ 25	-	10	20.00
15	969467-89	Latch Pin	-	each	11.00
16	RRING.105	Latch Pin Retaining Clip	-	10	14.00
17	4270109548	Short Arm Allen Wrench	-	each	10.00
18	SCREW.1150	10-32 3/8" UFPH MS	-	10	25.00
19	SPACER.107	1790 Channel Spacer	-	each	20.00
20	CAMASY.101	Drive Bushing	-	each	51.00
21	SLIDER.101	Slider	-	each	10.00
22	179CA	1790 NL/HB Cylinder Assembly	-	each	30.00
23	BRKT.128	Pushbar Anchor Bracket	-	each	10.00

1790 Pushbars on page 275

EXITS

Pushpads

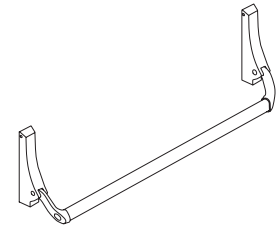
Commercial /
Medium Duty

1790 Series

Prices subject to change without notice

1990 Series

Devices are priced for 3'8" x 7',
 Aluminum or Hollow Metal Doors.
 Hex Bottom Latch furnished standard.
 (Price includes PB48 Strike)



Model No.	P28	P13, P35	US26D	
1990EO	525	539	1320	—
1991DT	705	719	1725	9970 Pull
1992NL-OP/HB-OP	621	635	1416	Rim Cylinder only
1993NL/HB	801	815	1821	9970 w/Rim Cylinder

REFERENCE NOTES:

Rim cylinder supplied standard with NL and HB options is C keyway.

Optional Latches

Suffix		List Add
RL	Rod Bottom Latch	30.00
PL	Pullman Bottom Latch	30.00
ES	Top Latch for use with Electric Strikes Device Furnished LBR (Less Bottom Rod and Less Strike) deduct \$27.00 List	34.00

Door Heights over 7'

	List Add
Up to 8'	69.00
Up to 9'	87.00
Up to 10'	101.00

Crossbar

	List Add
Crossbar furnished 41" standard - Easily Cut for Job Fitting	
Extra Length Crossbar - 48" (Fits Door Width up to 51") - P28, P13, P35 finishes	21.00
Extra Length Crossbar - 48" (Fits Door Width up to 51") - Architectural finishes Less Crossbar, deduct \$119 List	30.00

REFERENCE NOTES:

Specify if Door Material other than Aluminum.
 Not recommended for use on wood doors.

EXITS

Crossbars

Narrow Stile

1990 Series

Prices subject to change without notice

Offset Pull

Model No.		Non-Finish	DC13, DC35, US28	US26, US26D
9970 Pull		–	180	405
STUD.102	9970 Mounting Stud (Pkg Qty 10)	32	–	–

Replacement Cylinders

Model No.	Description	US26D, US10B
3216	Rim Cylinder C Keyway	96

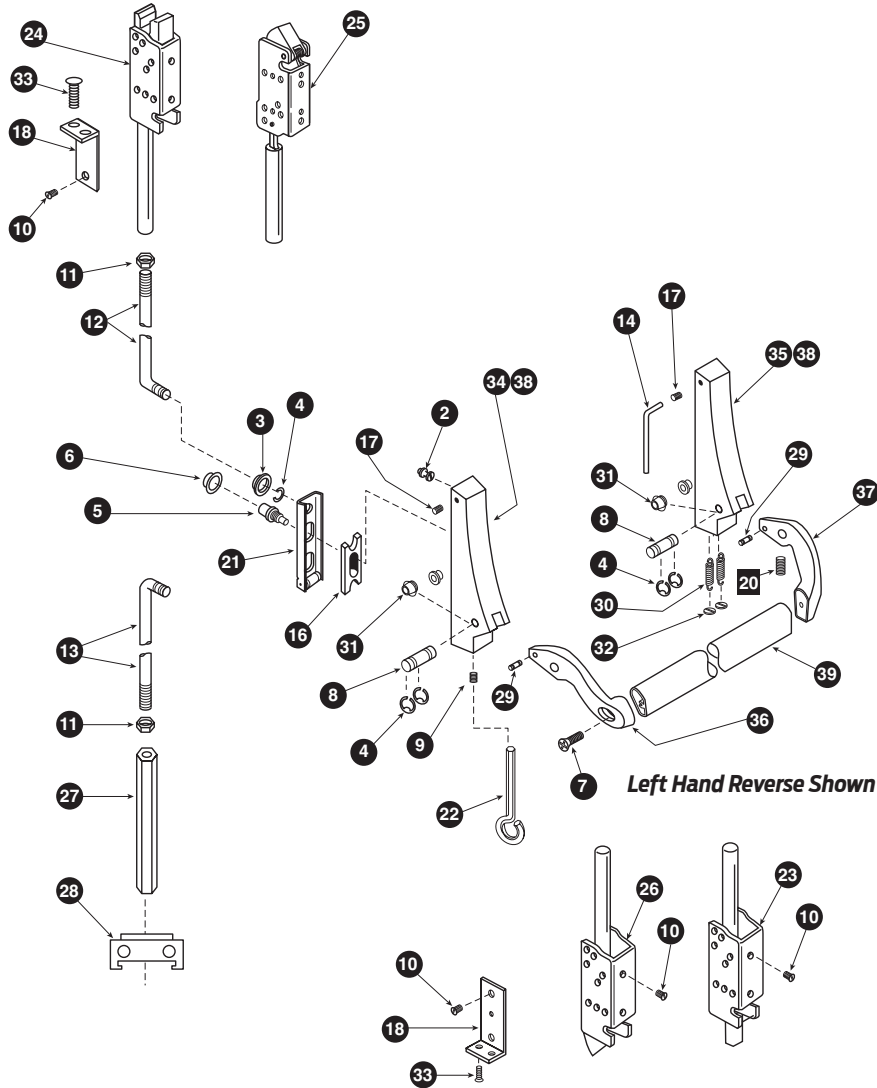
Strikes - Concealed Vertical Rod

Model No.	Description	Non-Finish	P13, P35, US32D
PB48	Top strike for 1990/1490/1690/2390 devices.	–	26
SHIM.112	PB48 Strike Shim (Pkg Qty: 10)	27	–

Prices subject to change without notice

1990 Exploded View And Parts List

(For Devices Furnished After 5/1/77)



Part No.	Description	Finish	Pkg. Qty	Price
2	STUD.101 Case Mounting Stud	-	10	31.00
3	BUSH.109 Bearing Bushing	-	10	27.00
4	RRING.109 Retaining Ring .250	-	25	24.00
5	CAM.102 Pinion Cam	-	10	149.00
	4270903177 Pinion Cam	-	each	24.00
6	BUSH.102 Cylinder Bushing	-	10	27.00
7	SCREW.1027 1/4-20 1" FPHTC Typ 23	US32D	10	41.00
	SCREW.1015 1/4-20 1" FPHTC Typ 23	BLACK	10	41.00
	PIN.115 1990 Axle Pin	-	10	138.00
9	SCREW.1022 Dog Screw	-	25	121.00
10	SCREW.1028 10-32 1/4" UFPHMS	US32D	10	26.00
	SCREW.1029 10-32 1/4" UFPHMS	BLACK	10	26.00
	4270107322 1490 LHR/1590 RHR Push Label	GOLD	each	31.00

Prices subject to change without notice

1990 Series

(For Devices Furnished After 5/1/77)

	Part No.	Description	Finish	Pkg. Qty	Price
11	NUT.101	Rod Jam Nut	-	10	26.00
12	4270100017	SU/PL/ES/RL Rod	-	each	37.00
	4270102427	SU/PL/ES/RL Rod-1/4" Insulclad 7'	-	each	37.00
	4270102426	SU/PL/ES/RL Rod-1/4" Insulclad 8'	-	each	119.00
13	4270101825	Hex Bottom Rod	-	each	37.00
14	WRENCH.101	Allen Wrench	-	10	17.00
16	RETRACT.101	Rod Retractor	-	10	62.00
17	SCREW.1030	1/4-20 3/8" Hex Soc Set	US32D	25	34.00
	SCREW.1039	1/4-20 3/8" Hex Soc Set	BLACK	25	34.00
18	BRKTASY.101	Latch Mtg Bracket Kit-HMD	-	each	51.00
21	4270100013	Lift Bracket Assembly	-	each	27.00
22	KEY.101	Hex Dogging Key	-	10	41.00
23	● 4270100521	RL Bottom Latch	-	each	103.00
24	● 4270101806	SU Top Latch	-	each	121.00
25	● 4270100346	ES Top Latch	-	each	141.00
26	● 4270101482	PL Bottom Latch	-	each	103.00
27	4270101830	Hex Bottom Bolt	-	each	44.00
28	4270107176	Hex Rod Guide Assembly	US32D	each	42.00
	4270107178	Hex Rod Guide Assembly	P35	each	42.00
	SCREW.1076	Hex Rod Guide Screws	US28	10	10.00
	SCREW.1081	Hex Rod Guide Screws	DC13/DC35	10	10.00
	PIN.110	ES Latch Pin	-	10	25.00
	RETAIN.101	Case Retainer	-	10	27.00
	PIN.109	SU/ES/PL/HH Latch Spirol Pin	-	10	20.00
	4270100312	Crossbar Tie Rod	-	each	77.00
	RRING.103	End Case Retaining Ring	-	25	14.00
29	PIN.104	Spring Pin	-	10	26.00
30	SPRING.103	Tension Spring	-	10	34.00
31	BUSH.103	Axle Bushing	-	25	34.00
32	RETAIN.102	Spring Retainer	-	25	24.00
33	SCREW.1037	10-32 3/8" FPHMS	-	25	24.00
	● 4270106632	SU Top Rod Assembly 7' Dr	-	each	162.00
	● 4270106633	SU Top Rod Assembly 8' Dr	-	each	243.00
	● 4270101818	SU Top Rod Assembly 9' Dr	-	each	264.00
	● 4270101819	SU Top Rod Assembly 10' Dr	-	each	287.00
	● 4270101873	ES Top Rod Assembly 7' Dr	-	each	204.00
	4270101874	ES Top Rod Assembly 8' Dr	-	each	309.00
	● 4270100522	RL Bottom Rod Assembly	-	each	162.00
	4270101831	Hex Bottom Rod Assembly	-	each	84.00
	● 4270100266	PL Bottom Rod Assembly	-	each	166.00
	4270100018	SU Rod 8' Door	-	each	119.00
	4270100172	SU Ext Rod Kit Up to 9' Dr	-	each	105.00
	4270100197	SU Ext Rod Kit Up to 10' Dr	-	each	122.00

EXITS

Crossbars

Narrow Stile

1990 Series

Prices subject to change without notice

1990 Series

(For Devices Furnished After 5/1/77)

34 End Case Assy LH

Part No.	Finish	List Price
LH = Lock Stile assembly for LHR Device or Hinge Stile assembly for RHR Device		
4270902776	P28	218.00
4270902778	P13	242.00
4270902779	P35	242.00
CASE.223	US26D	706.00

36 Lever Arm LH

Part No.	Finish	List Price
LH = Lock Stile Lever Arm for LHR Device or Hinge Stile Lever Arm for RHR Device		
4270902799	P28	68.00
4270902802	P13	76.00
4270902803	P35	76.00
LARM.180	US26D	254.00

38 Housing Assembly

Part No.	Finish	List Price
(Includes housing, retainer spring, retainer, dog screw and mounting screws)		
4270902787	P28	154.00
4270902789	P13	154.00
4270902790	P35	154.00
HOUSING.231	US26D	441.00

35 End Case Assy RH

Part No.	Finish	List Price
RH = Lock Stile assembly for RHR Device or Hinge Stile assembly for LHR Device		
4270902782	P28	218.00
4270902784	P13	242.00
4270902785	P35	242.00
CASE.222	US26D	706.00

37 Lever Arm RH

Part No.	Finish	List Price
RH = Lock Stile Lever Arm for RHR Device or Hinge Stile Lever Arm for LHR Device		
4270902805	P28	68.00
4270902808	P13	76.00
4270902809	P35	76.00
LARM.188	US26D	254.00

39 Crossbar 41"

Part No.	Finish	List Price
4270900091	US28	154.00
4270900094	DC13	168.00
4270900095	DC35	168.00

Crossbar 48"

Part No.	Finish	List Price
CBAR.101	US28	176.00
CBAR.116	DC13	191.00
CBAR.135	DC35	191.00

REFERENCE NOTE:

1990/2090 Lever Arms & Housing Assemblies in US finishes are not compatible with 990/1090 components. Replace with appropriate end case assembly or active housing assembly.

Prices subject to change without notice

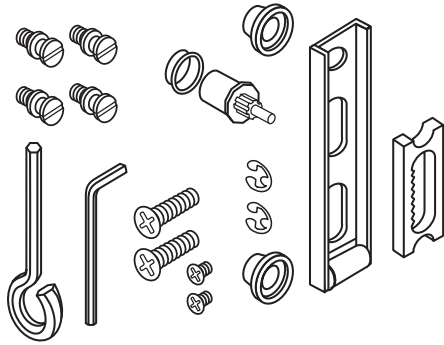
EXITS

Crossbars

Narrow Stile

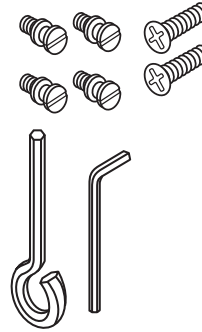
1990 Series

990 and 1990 Auxiliary Pkg.



Part Number	Finish	List Price
4270902091	US32D	51.00
4270902095	DC35	51.00

1090 and 2090 Auxiliary Pkg.



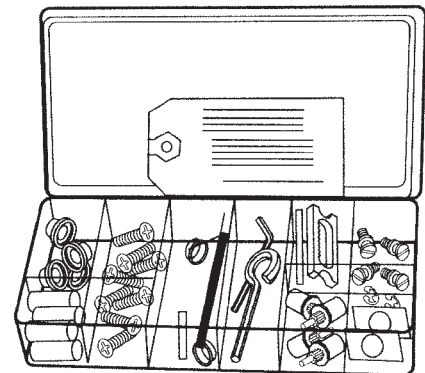
Part Number	Finish	List Price
4270902121	US32D	17.00
4270902125	DC35	17.00

Panic Device Repair Kit

Part Number	Description	List Price
4270100583	Complete Repair Kit	367.00
4270100582	Maintenance Kit Box only	29.00

Kit Includes:

	Part Number	Description	Replacement Pkg.	
12	RING.108	Retaining Rings	RRING.109	(pkg/25)
6	4270100130	1/4-20 x 3/8 Set Screws	SCREW.1030	(pkg/25)
6	BUSH.108	Bearing Bushing	BUSH.109	(pkg/10)
8	4270101753	Tension Springs	SPRING.103	(pkg/10)
2	4270100153	Dogging Screws	SCREW.1022	(pkg/25)
10	963128-00	10-32 x 1/4 UFPH MS	SCREW.1028	(pkg/10)
6	4299100213	1/4-20 x 1" FPH MS	SCREW.1027	(pkg/10)
3	4270100152	Spring Pins	PIN.104	(pkg/10)
1	4270100116	Dogging Key	KEY.101	(pkg/10)
1	963100-00	1/8" Allen Wrench	WRENCH.101	(pkg/10)
3	4270100110	Retractor	RETRACT.101	(pkg/10)
4	4270903177	Pinion Cams	CAM.102	(pkg/10)
8	4230100017	Center Case Mounting Studs	STUD.101	(pkg/10)
6	4270101778	Axle Bushings	BUSH.103	(pkg/25)
3	4270108353	PB48 Strike US32D		each
4	4270100663	Cylinder Bushings	BUSH.102	(pkg/10)
1	4270100013	Lift Bracket Assy		each
4	4270106997	Axle Pins	PIN.115	(pkg/10)
2	4270100026	3/16 x 13/16 Roll Pins	PIN.109	(pkg/10)
2	4270100075	3/16 x 9/16 Roll Pins	PIN.110	(pkg/10)
1	4270100299	Dogging Key Tag		each
12	4299100997	Retaining Rings	RRING.103	(pkg/25)
1	4270100582	Maintenance Kit Box		each
8	4270101782	1990 Spring Retainer	RETAIN.102	(pkg/25)
3	4270106349	SU Latchbolt		each

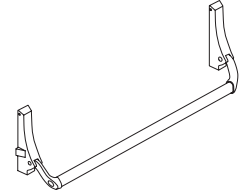


**Parts Kit For Easy Servicing
of 1990 Devices**

Prices subject to change without notice

2090 Series

**Devices are priced for 3'8",
Aluminum or Hollow Metal Doors.**
(Price includes SD36 Strike)



Model No.	P28	P13, P35	US26D	Standard Trim
2090EO	433	450	1224	–
2091DT	613	630	1629	9970 Pull
2092NL-OP/HB-OP	529	546	1320	Rim Cylinder only
2093NL/HB	709	726	1725	9970 w/Rim Cylinder

REFERENCE NOTES:

Rim cylinder supplied standard with NL and HB options is C keyway.

Crossbar

	List Add
Crossbar furnished 41" standard - Easily Cut for Job Fitting	
Extra Length Crossbar - 48" (Fits Door Width up to 51") - P28, P13, P35 finishes	21.00
Extra Length Crossbar - 48" (Fits Door Width up to 51") - Architectural finishes Less Crossbar, deduct \$124 List	30.00

REFERENCE NOTES:

Specify if Door Material other than Aluminum.
Specify Handing RHR or LHR. Not Reversible.

Prices subject to change without notice

Offset Pull

Model No.		Non-Finish	US28, DC13, DC35	US26, US26D
9970 Pull		-	180	405
STUD.102	9970 Mounting Stud (Pkg Qty 10)	32	-	-

Replacement Cylinders

Model No.	Description	US26D, US10B
3216	Rim Cylinder C Keyway	96

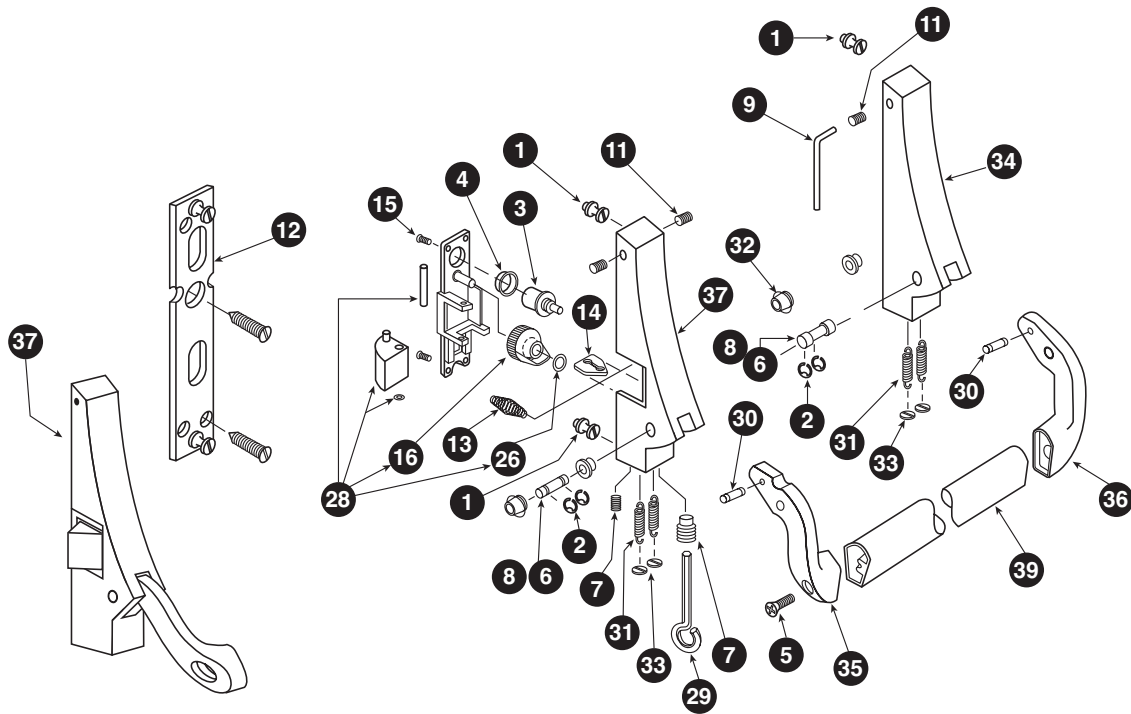
Strikes - Rim

Model No.	Description	P13, P28	P35
STK45	Strike for inactive door, pair of doors with 1590/1790/2090 devices	-	88
SD35	Strike for 1/3" x 1/2" blade stop, 2090 device.	86	86
SD36	Strike for all stops, 2090 device.	78	78
TD35	Strike for single doors, 1590 or 1790 device.	-	121

Prices subject to change without notice

2090 Series Exploded View And Parts List

(For Devices Furnished After 5/1/77)



Left Hand Reverse Shown

EXITS

Crossbars

Narrow Stile

2090 Series

Prices subject to change without notice

(For Devices Furnished After 5/1/77)

	Part No.	Description	Finish	Pkg. Qty	Price
1	STUD.101	Case Mounting Stud	-	10	31.00
2	RRING.103	Retaining Ring .250	-	10	14.00
3	CAM.102	Pinion Cam	-	10	149.00
	4270903177	Pinion Cam	-	each	24.00
4	BUSH.102	Cylinder Bushing	-	10	27.00
5	SCREW.1027	1/4-20 1" FPHTC TYP23	US32D	10	41.00
	SCREW.1015	1/4-20 1" FPHTC TYP23	BLACK	10	41.00
	PIN.115	2090 Axle Pin	US32D	10	138.00
	PIN.116	Latch Pivot Pin	-	10	14.00
7	SCREW.1022	Dog Screw	-	25	121.00
9	WRENCH.101	Allen Wrench	-	10	17.00
11	SCREW.1030	1/4-20 3/8" Hex Soc Set Screw	US32D	25	34.00
	SCREW.1039	1/4-20 3/8" Hex Soc Set Screw	BLACK	25	34.00
12	4270100304	Adapter Plate Assembly	-	2	31.00
13	SPRING.104	Latch Spring	-	10	17.00
14	4270101840	Latch Link	-	each	15.00
15	SCREW.1031	4-40 3/8" FL Posi-Drive Screw	-	10	15.00
16	RETRACT.102	Latchbolt Retractor	-	10	174.00
26	RRING.102	Retaining Ring .240	-	10	14.00
28	4270902968	2090 Backplate Assembly LHR	-	each	72.00
	4270902974	2090 Backplate Assembly RHR	-	each	72.00
29	KEY.101	Hex Dogging Key	-	10	41.00
	4270100312	Crossbar Tie Rod	-	each	77.00
30	PIN.104	Spring Pin	-	10	26.00
	SPRING.103	Tension Spring	-	10	34.00
32	BUSH.103	Axle Bushing	-	25	34.00
33	RETAIN.102	Spring Retainer	-	25	24.00

EXITS

Crossbars

Narrow Style

2090 Series

Prices subject to change without notice

2090 Series

(For Devices Furnished After 5/1/77)

34 End Case Assy LH

Part No.	Finish	List Price
LH = Hinge Stile assembly for RHR Device		
4270902776	P28	218.00
4270902778	P13	242.00
4270902779	P35	242.00
CASE.223	US26D	706.00

35 Lever Arm LH - Active

Part No.	Finish	List Price
LH = Lock Stile Lever Arm for LHR Device		
4270902763	P28	68.00
4270902766	P13	76.00
4270902767	P35	76.00
LARM.216	US26D	254.00

36 Lever Arm LH - End Case

Part No.	Finish	List Price
LH = Hinge Stile assembly for RHR Device		
4270902799	P28	68.00
4270902802	P13	76.00
4270902803	P35	76.00
LARM.180	US26D	254.00

35 End Case Assy RH

Part No.	Finish	List Price
RH = Hinge Stile assembly for LHR Device		
4270902782	P28	218.00
4270902784	P13	242.00
4270902785	P35	242.00
CASE.222	US26D	706.00

35 Lever Arm RH - Active

Part No.	Finish	List Price
RH = Lock Stile Lever Arm for RHR Device		
4270902769	P28	68.00
4270902772	P13	76.00
4270902773	P35	76.00
LARM.205	US26D	254.00

36 Lever Arm RH - End Case

Part No.	Finish	List Price
RH = Hinge Stile assembly for LHR Device		
4270902805	P28	68.00
4270902808	P13	76.00
4270902809	P35	76.00
LARM.188	US26D	254.00

REFERENCE NOTE:

1990/2090 Lever Arms & Housing Assemblies in US finishes are not compatible with 990/1090 components. Replace with appropriate end case assembly or active housing assembly.

Prices subject to change without notice

EXITS

Crossbars

Narrow Stile

2090 Series

(For Devices Furnished After 5/1/77)

37 Active Housing Assembly LH

Part No.	Finish	List Price
LH = Lock Stile assembly for LHR Device		
4270902740	P28	279.00
4270902742	P13	298.00
4270902743	P35	298.00
CASE.243	US26D	808.00

39 Crossbar 41"

Part No.	Finish	List Price
4270900091	US28	154.00
4270900094	DC13	168.00
4270900095	DC35	168.00

37 Active Housing Assembly RH

Part No.	Finish	List Price
RH = Lock Stile assembly for RHR Device		
4270902746	P28	279.00
4270902748	P13	298.00
4270902749	P35	298.00
CASE.229	US26D	808.00

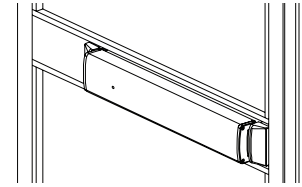
Crossbar 48"

Part No.	Finish	List Price
CBAR.101	US28	176.00
CBAR.116	DC13	191.00
CBAR.135	DC35	191.00

Prices subject to change without notice

2390 Series Concealed Vertical Rod Mid-Panel Exit Devices

Devices are priced for 42", 48" x 7',
Aluminum Doors.
Hex Bottom Latch furnished standard.
(Price includes PB48 Strike)



Model No.	Device Size	Fits Door Opening	US28	DC13, DC35,	Standard Trim
2390EO	21"	up to 42"	870	894	-
2390EO	24"	up to 48"	925	949	-
2392NL/HB-OP	21"	up to 42"	1073	1097	Mortise Cylinder Assy with Cylinder
2392NL/HB-OP	24"	up to 48"	1128	1152	Mortise Cylinder Assy with Cylinder
2395NL/HB-OP	21"	up to 42"	977	1001	Mortise Cylinder Assy less Cylinder
2395NL/HB-OP	24"	up to 48"	1032	1056	Mortise Cylinder Assy less Cylinder
2398 Dummy	21"	up to 42"	477	510	-
2398 Dummy	24"	up to 48"	510	543	-

NOTE: Must Specify centerline of device.

Optional Cylinder Kit

Model No.	Description	List Add
239CA	NL/HB Kit Less Cylinder	107.00
231CA	NL/HB Kit Less Cylinder w/ Schlage Cam B502-191	109.00
3215	Mortise Cylinder C Keyway	96.00
2" Door Kit	For Cylinder Operation	40.00

Optional Latches

Suffix	Description	List Add
RL	Rod Bottom Latch	30.00
PL	Pullman Bottom Latch	30.00
ES	Top Latch for use with Electric Strike	34.00

Device furnished LBR (Less Bottom Rod and Less Strike) deduct \$26.00 List

Accessories

	Description	List Add	
■ Long Top Rod	For Door Height from 7' to 8'	27.00	
■ Top Rod with Extension	For Door Height from 8' to 9'	88.00	
■ Top Rod with Extension	For Door Height from 9' to 10'	101.00	
Extension Rod Kit	For Door Height 7' to 10' Field Installation - Part #EXTROD.1001	139.00	
Filler Plate	Up to 42" Door, 16 1/2" Filler Plate	US28	29.00
		DC13, DC35, Champagne	31.00
	Up to 48" Door, 19 1/2" Filler Plate	US28	30.00
		DC13, DC35, Champagne	32.00

REFERENCE NOTES:

Rod Length requirement varies with device mounting height.

Strikes - Concealed Vertical Rod

Model No.	Description	Non-Finish	P13, P35, US32D
PB48	Top strike for 1990/1490/1690/2390 devices.		26.00

2390 Device Options

		List Add
RX Switch	Base Exit Device unit modified Request to Exit Switch monitoring pushpad. Prefix device "RX".	224.00
Electric Latch Retraction	Base Exit Device unit modified with Electric Latch Retraction. Prefix device "EL". The EL option is not field replaceable on this model.	602.00

(One PS914 x 900-2RS is the minimum requirement to power one or two EL devices.
See Power Supply Section for requirements and options.)

Prices subject to change without notice

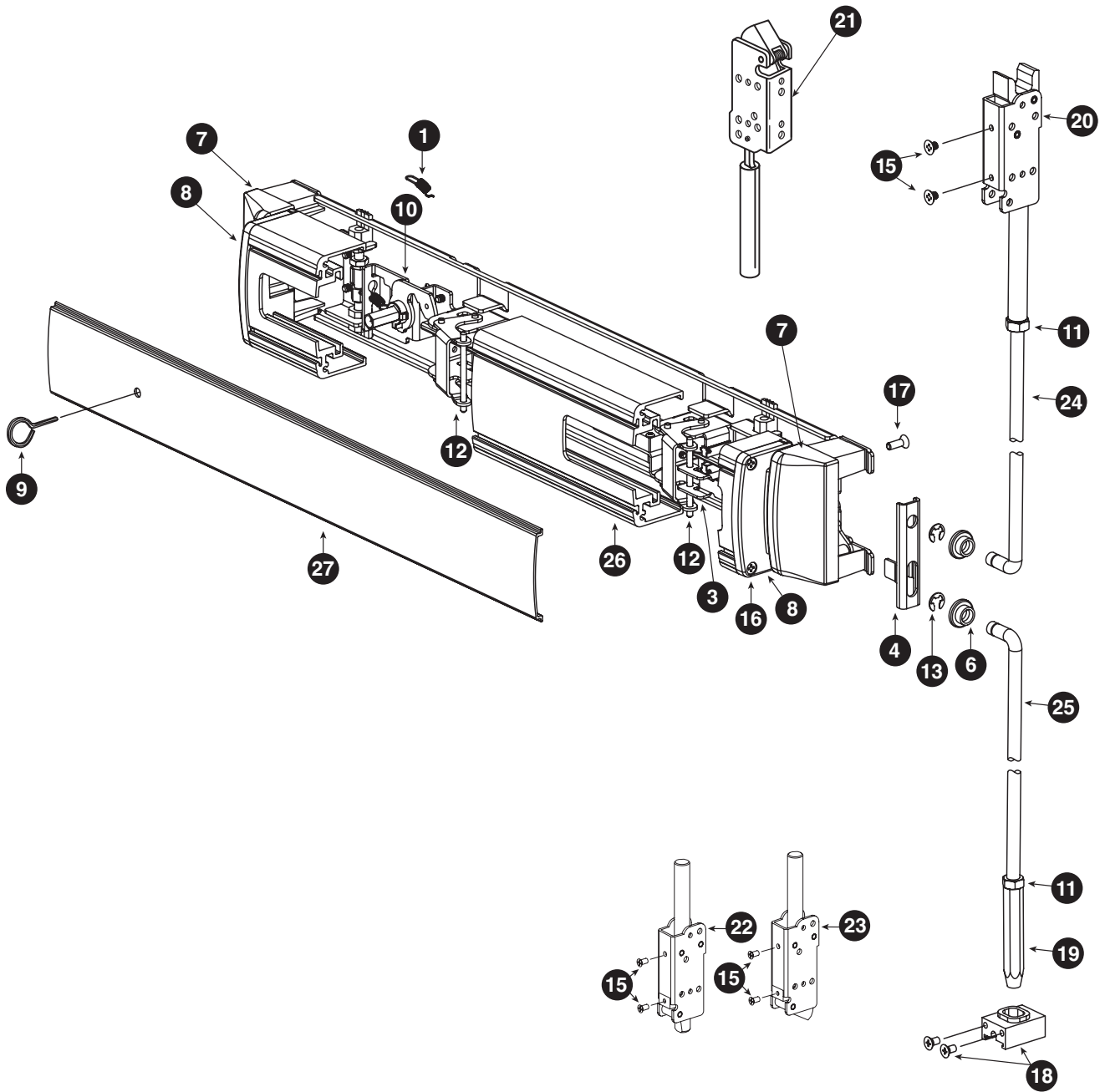
Prices subject to change without notice

EXITS

Recessed

Concealed Vertical
Mid-Panel

2390 Series



Prices subject to change without notice

	Part No.	Description	Finish	Pkg Qty	List Price
1	971493-76	Dogging Spring	-	each	10.00
2	AXLE.1006	Lift Lever Axle	-	each	10.00
3	BRKT.137	Pushbar Anchor Bracket	-	each	17.00
4	BRKT.143	Lift Bracket	-	each	17.00
5	BRKTASY.107	Actuator Arm Bracket Assembly	-	each	17.00
6	BUSH.109	Bearing Bushing	-	10	27.00
7	COVER.127	Fixed Cover	-	each	37.00
8	ECAP.143	Moving Pushbar End Cap	-	each	15.00
9	KEY.10020	Hex Dogging Key 5/32"	-	10	49.00
10	KIT.1197	Dogging Kit	-	each	35.00
11	NUT.101	Rod Jam Nut	-	10	26.00
12	PIN.128	Pushbar Pin	-	10	14.00
	PKG.134	Mounting Package (parts 4,6,9,13,15 on page 294)	US32D	each	27.00
	PKG.135	Mounting Package (parts 4,6,9,13,15 on page 294)	DC35	each	27.00
13	RRING.109	Retaining Ring .250	-	25	24.00
15	SCREW.1028	10-32 1/4" UFPHMS	US32D	10	26.00
	SCREW.1029	10-32 1/4" UFPHMS	BLACK	10	26.00
16	★ SCREW.1077	#8 3/4" FPH TF AB Screw (before September, 2004)	-	10	26.00
	SCREW.1141	8-18 .3/4" FPH TF Typ 25	-	10	20.00
17	SCREW.1088	12-14 1/2" UFPH MS Typ 25 Screw	-	10	20.00
	SCREW.1121	10-32 3/8" UFPH TF	US28	8	11.00
	SCREW.1114	10-32 3/8" UFPH TF	DC13/DC35	8	11.00
	SCREW.1076	Hex Rod Guide Screws	US28	10	10.00
	SCREW.1081	Hex Rod Guide Screws	DC13/DC35	10	10.00
	EXTROD.1001	Extension Rod Kit (not shown)	-	each	139.00
18	4270107176	Hex Rod Guide Assembly	US32D	each	42.00
	4270107178	Hex Rod Guide Assembly	P35	each	42.00
19	BOLT.1004	Hex Bottom Bolt-Beveled	-	each	49.00
20	4270101806	SU Top Latch	-	each	121.00
21	4270100346	ES Top Latch	-	each	141.00
22	4270100521	RL Bottom Latch	-	each	103.00
23	4270101482	PL Bottom Latch	-	each	103.00
	PIN.110	ES Latch Pin	-	10	25.00
	PIN.109	SU/ES/PL/HH Latch Spirol Pin	-	10	20.00
	● SWITCH.1006	RX Switch Wire Assembly (not shown) Valid for Field Install RX Option on Devices shipped after June, 2002	-	each	237.00
	110388-00	EL Cable Assembly (not shown)	-	each	49.00
	050534-00	EL Potted Circuit Breaker (not shown)	-	each	327.00
	971687-00	EL Solenoid 24VDC (not shown)	-	each	266.00
	PLUNGER.101	EL Plunger (not shown)	-	each	77.00
24	ROD.1043	Top Rod 34.000", CL=42.5, DH=83.1875"	-	each	37.00
	4270103324	Top Rod 35.500", CL=41.25, DH=83.1875"	-	each	37.00
	ROD.1082	Top Rod 39.000", CL=37.875, DH=83.1875"	-	each	37.00
	ROD.1036	Top Rod 36.500", CL=40, DH=83.1875"	-	each	37.00
25	ROD.1080	Bottom Rod 40.000", CL=42.500"	-	each	37.00
	ROD.1044	Bottom Rod 38.500", CL=41.250"	-	each	37.00
	4270100017	Bottom Rod 35.125", CL=37.875"	-	each	37.00
	ROD.1011	Bottom Rod 37.500", CL=40"	-	each	37.00
	KIT.1128	2390 LBR KIT	-	each	17.00

REFERENCE NOTES:

- RX Switch Kit valid for Field Install RX option on devices shipped after June, 2002
- ★ For Devices shipped before September, 2004.

Prices subject to change without notice

2390 Series (continued)

	Part No.	Description	Finish	List Price	
26	EXT.3000	Pushbar 21"	US28	166.00	
	EXT.3001	Pushbar 21"	DC13	179.00	
	EXT.3002	Pushbar 21"	DC35	179.00	
	EXT.3003	Pushbar 21"	Champagne	179.00	
	EXT.3004	Pushbar 24"	US28	193.00	
	EXT.3005	Pushbar 24"	DC13	213.00	
	EXT.3006	Pushbar 24"	DC35	213.00	
	EXT.3007	Pushbar 24"	Champagne	213.00	
	27	EXT.3008	Coverplate 21"	US28	66.00
		EXT.3009	Coverplate 21"	DC13	74.00
		EXT.3010	Coverplate 21"	DC35	74.00
		EXT.3011	Coverplate 21"	Champagne	74.00
		EXT.3012	Coverplate 24"	US28	72.00
		EXT.3013	Coverplate 24"	DC13	84.00
		EXT.3014	Coverplate 24"	DC35	84.00
		EXT.3015	Coverplate 24"	Champagne	84.00
		EXT.3050	EL Coverplate 21"	US28	66.00
		EXT.3051	EL Coverplate 21"	DC13	74.00
		EXT.3052	EL Coverplate 21"	DC35	74.00
		EXT.3053	EL Coverplate 21"	Champagne	74.00
		EXT.3054	EL Coverplate 24"	US28	72.00
		EXT.3055	EL Coverplate 24"	DC13	84.00
		EXT.3056	EL Coverplate 24"	DC35	84.00
		EXT.3057	EL Coverplate 24"	Champagne	84.00
		CHASY.147	Channel Assembly 36" Door (supplied for field sizing)	US28	108.00
		CHASY.160	Channel Assembly 36" Door (supplied for field sizing)	DC13	131.00
CHASY.107		Channel Assembly 36" Door (supplied for field sizing)	DC35	131.00	
CHASY.158		Channel Assembly 36" Door (supplied for field sizing)	Champagne	175.00	
CHASY.108	Channel Assembly 48" Door (supplied for field sizing)	US28	123.00		
CHASY.109	Channel Assembly 48" Door (supplied for field sizing)	DC13	177.00		
CHASY.125	Channel Assembly 48" Door (supplied for field sizing)	DC35	177.00		
CHASY.207	Channel Assembly 48" Door (supplied for field sizing)	Champagne	177.00		
EXT.2927	Filler Plate 16.50", 42" Door (supplied for field sizing)	US28	34.00		
EXT.2949	Filler Plate 16.50", 42" Door (supplied for field sizing)	DC13	37.00		
EXT.2950	Filler Plate 16.50", 42" Door (supplied for field sizing)	DC35	37.00		
EXT.2951	Filler Plate 16.50", 42" Door (supplied for field sizing)	Champagne	37.00		
EXT.440	Filler Plate 19.50", 48" Door (supplied for field sizing)	US28	35.00		
EXT.445	Filler Plate 19.50", 48" Door (supplied for field sizing)	DC13	37.00		
EXT.450	Filler Plate 19.50", 48" Door (supplied for field sizing)	DC35	37.00		
EXT.2244	Filler Plate 19.50", 48" Door (supplied for field sizing)	Champagne	37.00		
●	RODASY.10001	Top Rod Assy RHR AL=40.176", CL=42.500", DH=83.1875"		162.00	
●	RODASY.10002	Top Rod Assy RHR AL=41.426", CL=41.250", DH=83.1875"		162.00	
●	RODASY.10003	Top Rod Assy RHR AL=44.801", CL=37.875", DH=83.1875"		190.00	
●	RODASY.10004	Top Rod Assy RHR AL=42.676", CL=40", DH=83.1875"		162.00	
●	RODASY.10005	Top Rod Assy RHR AL=41.489", CL=41.250", DH=83.1875"		162.00	
●	RODASY.10006	Top Rod Assy LHR AL=40.176", CL=42.500", DH=83.1875"		162.00	
●	RODASY.10007	Top Rod Assy LHR AL=41.426", CL=41.250", DH=83.1875"		162.00	
●	RODASY.10008	Top Rod Assy LHR AL=44.801", CL=37.875", DH=83.1875"		190.00	
●	RODASY.10009	Top Rod Assy LHR AL=42.676", CL=40", DH=83.1875"		162.00	
●	RODASY.10010	Top Rod Assy LHR AL=41.489", CL=41.250", DH=83.1875"		162.00	
●	RODASY.10011	Bottom Rod Assy AL=41.877", CL=42.500"		84.00	
●	RODASY.10012	Bottom Rod Assy AL=40.627", CL=41.250"		84.00	
●	RODASY.10013	Bottom Rod Assy AL=37.252", CL=37.875"		84.00	
●	RODASY.10014	Bottom Rod Assy AL=39.377", CL=40"		84.00	

REFERENCE NOTES:

- Complete rod and latch assembly includes standard rod (4270100017) and (Nut.101).

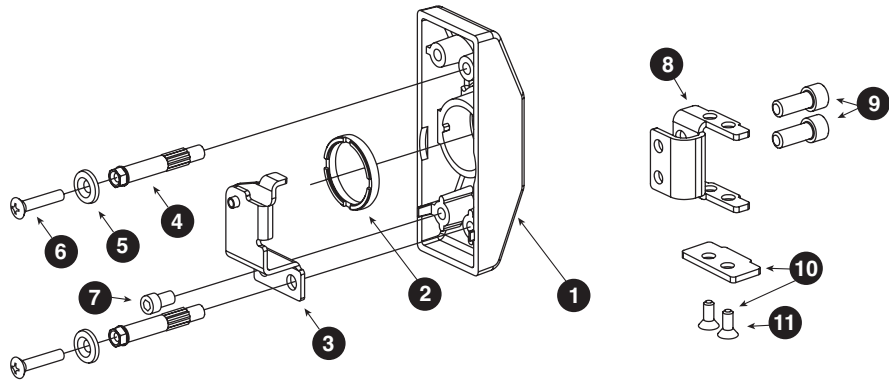
Prices subject to change without notice

EXITS

Recessed

Concealed Vertical Mid-Panel

2390 Series



Part No.	Description	Finish	Pkg Qty	List Price
1	HOUSING.123 2390 Cylinder Housing	P28	each	94.00
	HOUSING.124 2390 Cylinder Housing	P13	each	94.00
	HOUSING.125 2390 Cylinder Housing	P35	each	94.00
2	971974-00 Mortise Locking Collar	-	each	15.00
3	BRKTASY.118 2390 NL/HB Bracket Assembly	-	each	44.00
4	971585-89 Mounting Stud	-	each	14.00
5	WASHER.120 #10 Countersunk Washer	DC35	10	15.00
5	WASHER.121 #10 Countersunk Washer	US32D	10	15.00
6	SCREW.1083 10-24 x 1" OPHMS	US32D	10	17.00
7	SCREW.1082 1/4-20 x 3/8" SHCS	-	10	17.00
8	BRKT.152 2390 Rod Lift Bracket	-	each	26.00
9	SCREW.1084 1/4-28 x 3/4" SHCS	-	10	20.00
10	BRKTASY.155 Lift Bracket Kit - 2" Door	-	each	48.00
11	SCREW.1085 8-18 x 5/16" UFPHMS AB Screw	-	each	17.00

Strike

Part No.	Description	Finish	Pkg Qty	List Price
SHIM.112	PB48 Strike Shim	-	10	27.00
SCREW.1038	Screw 8-32 x 1/2" UFPHMS	BLACK	25	17.00
SCREW.1032	Screw 8-32 x 1/2" UFPHMS	US32D	25	17.00

Prices subject to change without notice

Exit Accessories

Mullions

Model No.	Description	Finish	List Price					
			7'2"	7'3"	8'2"	8'3"	9'2"	10'2"
4023	Steel Mullion (2" x 3") For use with 25/24/19/XX Rim Devices only	SP28	440	—	476	—	—	554
F4023	Steel Mullion (2" x 3") Fire Rated for use with 25/24/19/XX Fire Rated Rim Devices only	SP28		630	—	681	—	—
2923	Steel Mullion (1 1/2" x 2 1/2") For use with 25/24/19/XX Rim Devices only	Black Prime Coat	393	—	424	—	459	—
4423	T Shaped Steel Mullion for use with 24-R Device only (4396 Adjustable Strike Supplied)	Black Prime Coat	1092	—	1116	—	—	—
RM70	Aluminum Mullion for use with 2090 Rim Devices only (STK70 Adjustable Mortise Strike Supplied)	US28	800	—	860	—	926	990
		DC13/DC35	848	—	911	—	971	1036
RM150	Aluminum Mullion for use with 1590 Rim Devices only (STK150 Adjustable Mortise Strike Supplied)	US28	814	—	881	—	943	1008
		DC13/DC35	860	—	927	—	993	1060
RM170	Aluminum Mullion for use with 1790 Rim Devices only (STK170 Adjustable Mortise Strike Supplied)	US28	800	—	860	—	926	990
		DC13/DC35	848	—	911	—	971	1036

REFERENCE NOTES:

- 1) Mullions shipped complete with mounting brackets, screws, and stabilizers (for Aluminum Mullions). Strikes are not included, except where indicated. Order with exit devices when required.
- 2) Aluminum Mullions for use with doors with stiles as narrow as 1 1/4", reinforced with steel insertions.
- 3) Blank Mullions (without strike preparation) are available at the same price as standard Mullions. Consult factory for more information.
- 4) Mullions can be cut down in field if unique heights under 10'2" are required.
- 5) Steel Mullions 4023 and F4023 now ship with a new design. Part purchased prior to September 1, 2014 are not retrofittable.

Mullion Options

Model No.	Description	Finish	List Adder
KR	KR-4023 Mullion Keyed Removable Mullion option for use with 25/24/19/XX Rim Devices only	SP28	400
	KR-F4023 Mullion Keyed Removable Fire rated Mullion option for use with 25/24/19/XX Fire Rated Rim Devices	SP28	597

Accessories

Model No.	Description	Finish	List Price
050168	Keyed Removable Kit for existing 4023 Mullion	SP28	536
050169	Keyed Removable Kit for existing F4023 Mullion	SP28	590

REFERENCE NOTES:

- 1) Steel Mullions 4023 and F4023 now ship with a new design. Parts purchased prior to September 1, 2014 are not retrofittable.

Parts

Model No.	Description	Finish	List Price
050335	Top Fitting for 4023 Mullion	SP28	74.00
050391	Top Fitting for F4023 Mullion	SP28	189.00
050390	Bottom Fitting for 4023 and KR-4023 Mullion	SP28	72.00
050392	Bottom Fitting for F4023 and KR-F4023 Mullion	SP28	189.00
971212	KR-4023 Mullion Adjustment Shim Plate	Non-finished	12.00
971313	KR-F4023 Mullion Adjustment Shim Plate	SP28	46.00
971340	KR-4023 Mullion Top Fitting	SP28	111.00
971312	KR-F4023 Mullion Top Fitting	SP28	128.00
971328	KR-4023/KR-F4023 Mullion Cylinder Locking Washer	Non-finished	19.00
050054	(KR)(F)4023 Mullion Stabilizers (set of 4, 2 attach to the mullion and 2 attach to the door)	SP28	101.00
050526	KR-4023/KR-F4023 Mullion Cylinder Lock Nut	Non-finished	15.00
900409	KR-4023 Mullion Mounting Package	SP28	77.00
900410	KR-F4023 Mullion Mounting Package	SP28	64.00
900411	KR-F4023 Bottom Fitting Screw Package	Non-finished	26.00
900413	KR-F4023 Top Fitting Screw Package	Non-finished	26.00
971187	KR Inner Mullion Back Cover Plate	SP28	26.00
060104	Top Fittings for 2923 Mullion	Non-finished	57.00
060105	Bottom Fittings for 2923 Mullion	Non-finished	57.00
060107	Top Fittings for 4423 Mullion	Non-finished	86.00
060108	Bottom Fittings for 4423	Non-finished	86.00
525	Aluminum Mullion Stabilizers (set of 2)	US28	48.00
		DC13/DC35	52.00
STK70	Adjustable Mortise Strikes (pair) for use with 2090 Device /RM70 Aluminum Mullion	US32D	118.00
STK150	Adjustable Mortise Strikes (pair) for use with 1590 Device /RM150 Aluminum Mullion	US32D	118.00
STK170	Adjustable Mortise Strikes (pair) for use with 1790 Device /RM170 Aluminum Mullion	US32D	118.00

REFERENCE NOTES:

- 1) Steel Mullions 4023 and F4023 now ship with a new design. Parts listed above are not retrofittable to mullions purchased prior to September 1, 2014. Please consult factory for more information

Prices subject to change without notice

Mullion

Part No.	Description	Finish	Pkg Qty	List Price
4270108954	RM170 Mullion Bracket Pkg	-	each	96
4270107489	RM150 Mullion Bracket Pkg	-	each	90
4270108999	Mullion Adapter Plate	P28	each	70
4270109000	Mullion Adapter Plate	P13	each	70
4270109001	Mullion Adapter Plate	P35	each	70

Sex Bolts

Model No.	Description	Screw	BRS US10B US26D	US3, US4 US10, SP313 US32, US32D
2729P	Package of 1 - Includes Machine Screw	10-24 3/4" PPHMS	11	-
2729F	Package of 1 - Includes Machine Screw	10-24 3/4" FPHMS	11	-
4122	Package of 1 - Includes Machine Screw	1/2-20 3/4" PPHMS	11	-
325	Package of 2	1/4-20	-	28
425	Package of 2	10-24	-	28

Delayed Egress System

Model No.	Description	List Price
DE5300	Logic Controller *15 Second Release Delay furnished standard	1040

REFERENCE NOTES:

- 1) Designed to meet both life safety and security & NFPA 101 for "Special Locking Arrangement" and IBC "Special Egress-Control Devices"
- 2) Release delay over 15 seconds requires a letter of approval from Authority Having Local Jurisdiction. Letter must accompany sales order at time of submission. Order cannot be processed without the letter.
- 3) A complete delayed egress system requires several components that must be ordered separately:
 - a. 24 / 25 Device containing a RX switch option
 - b. Power Supply PS902 minimum recommendation (See Power Supply section for more information)
 - c. Electronic Power Transfer (EPT) or Power Transfer Hinge
 - d. Magnetic Locks – Recommended Schlage electronics M420, M450 or M490 (See Schlage Electronics Security Price Book for more information.)
 - e. 1-1/4" Mortise Cylinder with Straight Cam installed with a compression ring

Shared Components

Shared components will receive the lower discount (ie components shared with Von Duprin will receive the Von Duprin discount instead of the Falcon discount).

Prices subject to change without notice

Numerical Index - Exits

EXITS

Part No.	Page	Part No.	Page	Part No.	Page	Part No.	Page
30	186	600275	189	650153	222	650317	187, 200, 220, 232
299	193, 225	600276	189	650154	222	650318	187, 201, 220, 233
525	294	600277	189, 190, 223	650157	222	650320	245, 249, 251
603	188, 221	600278	189, 190, 223	650158	222	650324	220, 225
2130	197, 201, 233, 253	600279	189, 190, 223	650161	222	650325	220, 227, 231
3518	186	600280	189	650162	222	650326	220, 234, 235
3530	186	600281	189	650165	222	650327	220, 222, 233, 235
3542	186	600282	189	650166	222	650328	245, 249
3722	245	600283	189, 190, 222, 223, 246	650167	185	650329	245, 249
3777	188, 197	600284	189	650168	185	650330	245, 251
3788	197, 231, 253	600285	189	650169	222	650331	245, 251
4107	245, 249, 251	600286	189	650170	222	650334	245
4108	245, 249, 251	600287	189	650173	222	650336	188, 197, 221, 231
4120	222	600288	189, 222	650174	222	650337	245, 253
4121	222	600289	189	650177	222	650338	245
4122	249, 251	600290	189	650178	222	650339	188, 201, 203, 221, 233, 235
4188	201, 233	600293	189	650181	222	650343	245, 249, 251
4208	190, 223	600294	189	650182	222	650345	187, 193, 205
4270	222, 246	600295	189	650185	222	650346	187, 201, 220, 233
4286	245, 253	600296	189	650186	222	650348	187, 193, 194, 199, 205, 220, 225, 227, 229
4288	245, 253	600297	189	650187	220, 225, 227, 229	650351	221, 233, 235
4349	222, 246	600298	189, 222	650188	220, 225, 227, 229	650355	246
4450	221, 231	600299	189, 222	650189	222	650356	246
4567	188, 201, 221, 233	600300	189, 222	650190	222	650358	246
4694	188, 201, 221, 233	600301	189, 222	650191	187, 193, 195, 199, 205	650359	185, 187, 220
4832	188, 203, 235	600305	187, 190, 193, 195, 199, 205, 220, 223, 225, 227, 229	650192	187, 193, 195, 199, 205	650360	245, 249, 251
4833	188, 203, 221, 235	600307	187, 190, 195, 199, 205, 220, 223, 227, 229	650201	220, 227, 231	650361	245, 249, 251
4834	188, 203, 221, 235	600307	187, 190, 195, 199, 205, 220, 223, 227, 229	650202	188, 197, 221, 231	650366	222
4835	188, 203, 221, 235	600307	193, 225	650227	187, 193, 195, 199, 205	650371	246
5494	188, 197, 201, 203, 221, 231, 233, 235, 245	600308	187, 190, 195, 199, 205, 223	650228	187, 193, 195, 199, 205	650374	245, 249
8500	205	600309	187, 190, 195, 199, 223	650231	189, 190, 223	650375	188, 197, 221, 231, 245
040069	187, 220	600310	187, 193, 195, 199, 205, 220, 225, 227, 229	650232	189	650376	188, 201, 203
050054	294	600315	246	650234	220	650377	187, 205
050335	294	600319	187, 190, 193, 195, 199, 205, 220, 223, 225, 227, 229	650235	189	650378	187, 205
050390	294	600320	187, 220	650236	220, 227	650384	245, 249
050391	294	600321	187, 220	650237	189	650385	245, 251
050392	294	600331	186	650238	220, 229	650386	245, 253
050526	246, 294	600335	186	650239	187, 193	650387	188, 197, 221, 231, 245, 253
050534	187, 220	600336	186	650240	187, 193	650388	245, 253
060104	294	600337	189, 222	650242	187, 195	650389	188, 197, 221, 231, 245, 253
060105	294	600339	222, 246	650244	187, 199	650390	245, 251
060107	294	600346	246	650246	187, 205	650391	245, 251
060108	294	610045	245, 253	650247	220, 225	650392	245, 251
060109	187, 190, 193, 195, 199, 200, 203, 205, 220, 223, 225, 227, 229, 232, 234, 245, 249, 251	610055	188, 197	650249	220, 225	650393	245, 251
060110	245, 249, 251	610056	221, 231	650251	220, 227	650398	187, 205
060111	187, 190, 197, 201, 203, 220, 223, 231, 233, 235, 253	610057	188, 201, 203, 221, 233, 235	650253	220, 229	650706	185
060112	190, 223	610061	188, 201, 203, 221, 233, 235	650255	187, 193	650707	185
060113	190, 223, 253	610480	187, 220, 245, 249, 251	650257	187, 195	650712	187, 220
060114	190, 223, 253	640001	190, 223	650259	187, 199, 205	650713	187, 220
060115	190, 223	640002	190, 223	650261	187, 195, 199, 205	650714	187, 220
060116	190, 223	650006	197, 231, 244, 253	650262	187, 195	650715	187, 220
060117	190, 223	650007	197, 231, 244, 253	650263	187, 199	650716	220
060118	190, 223	650008	197, 231, 244, 253	650265	187, 220	650717	220
060119	190, 223	650017	201, 203, 233, 235	650266	186	660002	188, 197, 221, 231, 245, 253
060120	190, 223	650018	201, 203, 233, 235	650267	189, 190, 223	660136	245
060121	190, 223	650019	201, 203, 233, 235	650277	190, 223	661408	220, 225, 227, 229
060122	190, 223	650106	186	650278	189	661409	220, 225, 227, 229
060123	190, 223	650107	186	650293	187, 193, 205	661412	187, 193, 195, 199, 205
060124	190, 223	650108	186	650294	187, 190, 193, 194, 199, 204, 220, 223, 225, 227, 229	661413	187, 193, 195, 199, 205
060125	190, 223	650116	220	650295	187, 195, 197	661472	186
060126	190, 223	650117	220	650296	187, 201, 203	661473	186
060136	222	650119	187	650297	245, 249, 251	661560	222
090041	189	650120	187	650298	220, 235	661565	246
090978	220, 229	650121	220, 225, 227, 229	650299	187, 201, 203	661567	222, 246
106182	187	650122	220, 225, 227, 229	650300	187, 201, 220, 233	900409	294
106198	187, 220	650131	220	650302	220, 225	900410	294
114320	187, 220	650132	220	650303	245, 249, 251	900411	294
600161	246	650135	187	650304	220, 227, 231	900413	294
600166	246	650136	187	650307	245, 249	970321	190, 223
600173	190, 223	650139	220	650308	245, 251	971187	294
600272	189	650140	220	650309	245, 251	971212	294
600273	189	650143	187	650311	188, 190, 197, 221, 223, 231	971312	294
600274	189	650144	187	650312	222	971313	294
		650147	185	650313	222	971328	294
		650148	185	650314	222, 246	971340	294
		650151	222	650315	187, 195, 197	3894-000	190, 223
		650152	222	650316	187, 195, 197	050534-00	264, 271, 275, 291
						110388-00	264, 271, 275, 291

Prices subject to change without notice

Part No.	Page
47266630.....	185
47266631.....	185
47266852.....	187, 220
47269206.....	187, 220
47270296.....	220
47270297.....	220
47270298.....	187
47270299.....	187
47270546.....	185
47270547.....	185
963100-00.....	281
963128-00.....	281
969467-89.....	275
971493-76.....	270, 275, 291
971585-89.....	293
971659-79.....	262
971660-79.....	262
971687-00.....	271, 275, 291
971974-00.....	293
4270902121.....	281
4230100017.....	281
4270100013.....	279, 281
4270100017.....	270, 279, 291
4270100018.....	270, 279
4270100026.....	281
4270100075.....	281
4270100110.....	281
4270100116.....	281
4270100130.....	281
4270100152.....	281
4270100153.....	281
4270100172.....	270, 279
4270100197.....	270, 279
4270100266.....	270, 279
4270100299.....	281
4270100304.....	285
4270100312.....	279, 285
4270100346.....	270, 279, 291
4270100521.....	265, 270, 279, 291
4270100522.....	270, 279
4270100582.....	281
4270100663.....	281
4270101482.....	270, 279, 291
4270101753.....	281
4270101778.....	281
4270101782.....	281
4270101806.....	265, 270, 279, 291
4270101818.....	270, 279
4270101819.....	270, 279
4270101825.....	270, 279
4270101830.....	265, 279
4270101831.....	279
4270101840.....	285
4270101873.....	270, 279
4270101874.....	270, 279
4270102426.....	270, 279
4270102427.....	270, 279
4270103324.....	291
4270105926.....	265
4270106349.....	281
4270106632.....	270, 279
4270106633.....	270, 279
4270106745.....	262
4270106769.....	262
4270106770.....	259
4270106772.....	262
4270106773.....	262, 264
4270106775.....	265
4270106776.....	265
4270106782.....	265
4270106786.....	259
4270106787.....	259
4270106796.....	265
4270106863.....	259
4270106875.....	259
4270106888.....	262
4270106977.....	262
4270106997.....	281
4270107027.....	260

Part No.	Page
4270107028.....	260
4270107029.....	260
4270107031.....	260
4270107032.....	260
4270107033.....	260
4270107034.....	260
4270107035.....	260
4270107036.....	260
4270107038.....	260
4270107039.....	260
4270107040.....	260
4270107046.....	262
4270107047.....	262
4270107048.....	262
4270107060.....	262
4270107061.....	262
4270107089.....	262
4270107090.....	262
4270107091.....	260
4270107092.....	260
4270107093.....	260
4270107095.....	260
4270107096.....	260
4270107097.....	260
4270107176.....	270, 279, 291
4270107178.....	270, 279, 291
4270107186.....	264
4270107188.....	264
4270107189.....	264
4270107192.....	264
4270107193.....	264
4270107194.....	264
4270107213.....	266
4270107214.....	266
4270107215.....	266
4270107268.....	266
4270107270.....	266
4270107283.....	266
4270107285.....	266
4270107286.....	266
4270107320.....	259
4270107321.....	259
4270107322.....	259, 278
4270107323.....	259
4270107341.....	264
4270107342.....	264
4270107360.....	264
4270107361.....	264
4270107363.....	264
4270107422.....	262
4270107429.....	264
4270107430.....	264
4270107489.....	295
4270107495.....	265
4270107497.....	265
4270107520.....	262
4270107521.....	262
4270100582.....	281
4270100583.....	281
4270107587.....	260
4270107588.....	260
4270107589.....	260
4270107591.....	260
4270107592.....	260
4270107593.....	260
4270107603.....	262
4270107623.....	264
4270107685.....	260
4270107686.....	260
4270107687.....	260
4270107688.....	260
4270107689.....	260
4270107691.....	260
4270107703.....	260
4270107704.....	260
4270107705.....	260
4270107706.....	260
4270107707.....	260
4270107709.....	260

Part No.	Page
4270107712.....	260
4270107713.....	260
4270107714.....	260
4270107715.....	260
4270107716.....	260
4270107718.....	260
4270107787.....	266
4270107791.....	265
4270107833.....	266
4270108353.....	281
4270108426.....	265
4270108763.....	264
4270108954.....	295
4270108999.....	295
4270109000.....	295
4270109001.....	295
4270109003.....	265
4270109005.....	266
4270109006.....	266
4270109007.....	266
4270109009.....	266
4270109077.....	265
4270109078.....	265
4270109142.....	264
4270109190.....	266
4270109548.....	275
4270109630.....	266
4270900091.....	280, 287
4270900094.....	280, 287
4270900095.....	280, 287
4270902091.....	281
4270902095.....	281
4270902125.....	281
4270902740.....	287
4270902742.....	287
4270902743.....	287
4270902746.....	287
4270902748.....	287
4270902749.....	287
4270902763.....	286
4270902766.....	286
4270902767.....	286
4270902769.....	286
4270902772.....	286
4270902773.....	286
4270902776.....	280, 286
4270902778.....	280, 286
4270902779.....	280, 286
4270902782.....	280, 286
4270902784.....	280, 286
4270902785.....	280, 286
4270902787.....	280
4270902789.....	280
4270902790.....	280
4270902799.....	280, 286
4270902802.....	280, 286
4270902803.....	280, 286
4270902805.....	280, 286
4270902808.....	280, 286
4270902809.....	280, 286
4270902968.....	285
4270902974.....	285
4270903177.....	269, 278, 281, 285
4299100213.....	281
4299100997.....	281
4299101020.....	262
169CA.....	271
179CA.....	275
603L.....	201, 233
603R.....	201, 233
325 SNB.....	190, 223
425 SNB.....	190, 223
299 Strike.....	190, 223
AXLE.1006.....	291
AXLE.1007.....	262
BASEASY.208.....	264
BASEASY.209.....	264
BASEASY.210.....	264
BASEASY.211.....	264

Part No.	Page
BASEASY.220.....	264
BASEASY.221.....	264
BOLT.1004.....	270, 291
BRKT.128.....	270, 275
BRKT.137.....	291
BRKT.138.....	269
BRKT.143.....	291
BRKT.152.....	293
BRKT.156.....	271
BRKT.478.....	269
BRKTASY.101.....	270, 279
BRKTASY.107.....	270, 291
BRKTASY.118.....	293
BRKTASY.155.....	293
BUMPER.103.....	259
BUSH.102.....	269, 278, 285
BUSH.103.....	279, 285
BUSH.107.....	265
BUSH.108.....	281
BUSH.109.....	269, 278, 291
CAM.102.....	269, 278, 285
CAMASY.101.....	275
CASE.222.....	280, 286
CASE.223.....	280, 286
CASE.229.....	287
CASE.243.....	287
CBAR.101.....	280, 287
CBAR.116.....	280, 287
CBAR.135.....	280, 287
CHASY.107.....	292
CHASY.108.....	292
CHASY.109.....	292
CHASY.125.....	292
CHASY.147.....	292
CHASY.158.....	292
CHASY.160.....	292
CHASY.207.....	292
COVER.113.....	269
COVER.120.....	275
COVER.127.....	291
CTUBE.232.....	266
ECAP.103.....	260
ECAP.111.....	260
ECAP.129.....	270, 275
ECAP.130.....	269, 275
ECAP.143.....	291
EXT.255.....	260
EXT.256.....	260
EXT.257.....	260
EXT.258.....	260
EXT.259.....	260
EXT.261.....	260
EXT.440.....	292
EXT.445.....	292
EXT.450.....	292
EXT.2244.....	292
EXT.2927.....	292
EXT.2949.....	292
EXT.2950.....	292
EXT.2951.....	292
EXT.3000.....	292
EXT.3001.....	292
EXT.3002.....	292
EXT.3003.....	292
EXT.3004.....	292
EXT.3005.....	292
EXT.3006.....	292
EXT.3007.....	292
EXT.3008.....	292
EXT.3009.....	292
EXT.3010.....	292
EXT.3011.....	292
EXT.3012.....	292
EXT.3013.....	292
EXT.3014.....	292
EXT.3015.....	292
EXT.3050.....	292
EXT.3051.....	292
EXT.3052.....	292

EXITS

Prices subject to change without notice



Numerical Index - Exits

EXITS

Part No.	Page
EXT.3053	292
EXT.3054	292
EXT.3055	292
EXT.3056	292
EXT.3057	292
EXTROD.1001 ...	291
F570	249
F603	188, 201, 203, 221, 233
GUIDE.101	265
GUIDE.102	265
HOUSING.123 ...	293
HOUSING.124 ...	293
HOUSING.125 ...	293
HOUSING.231 ...	280
KEY.101	279, 285
KEY.10020	262, 269, 275, 291
KIT.1008	264
KIT.1009	264
KIT.1010	264
KIT.1011	264
KIT.1012	264
KIT.1013	264
KIT.1128	291
KIT.1156	271
KIT.1157	271
KIT.1197	270, 275, 291
LARM.180	286
LARM.180	280
LARM.188	286
LARM.188	280
LARM.205	286
LARM.216	286
LATCHR.102	264
LBOLT.105	275
LEVER.103	264
LEVER.104	264
LEVER.105	264
NUT.101	265, 270, 279, 291
NUT.103	264
PIN.104	279, 285

Part No.	Page
PIN.109	270, 279, 291
PIN.110	270, 279, 291
PIN.115	278, 285
PIN.116	285
PIN.128	270, 275, 291
PKG.102	260
PKG.104	260
PKG.105	260
PKG.133	275
PKG.134	291
PKG.135	291
PKG.150	269
PKG.151	269
PLUNGER.101 ...	264, 271, 275, 291
RETAIN.101	279
RETAIN.102	279, 285
RETRACT.101	269, 279
RETRACT.102 ...	285
RING.108	281
ROD.1011	291
ROD.1036	291
ROD.1043	291
ROD.1044	291
ROD.1080	291
ROD.1082	291
RODASY.110	265
RODASY.112	265
RODASY.1075 ...	270
RODASY.10001 ..	292
RODASY.10002 ..	292
RODASY.10003 ..	292
RODASY.10004 ..	292
RODASY.10005 ..	292
RODASY.10006 ..	292
RODASY.10007 ..	292
RODASY.10008 ..	292
RODASY.10009 ..	292
RODASY.10010 ..	292
RODASY.10011 ..	292
RODASY.10012 ..	292

Part No.	Page
RODASY.10013 ..	292
RODASY.10014 ..	292
RRING.102	285
RRING.103	265, 279, 285
RRING.104	262, 264
RRING.105	262, 264, 275
RRING.109	269, 278, 291
SCREW.1012	259
SCREW.1015	278, 285
SCREW.1022	278, 285
SCREW.1025	270, 275
SCREW.1027	278, 285
SCREW.1028	259, 265, 269, 278, 291
SCREW.1029	265, 269, 278, 291
SCREW.1030	279, 285
SCREW.1031	285
SCREW.1032	293
SCREW.1037	270, 279
SCREW.1038	293
SCREW.1039	279, 285
SCREW.1043	262
SCREW.1050	259
SCREW.1053	259
SCREW.1055	259
SCREW.1061	264
SCREW.1063	264
SCREW.1065	264
SCREW.1066	259
SCREW.1067	270
SCREW.1068	270
SCREW.1069	269
SCREW.1070	270, 275
SCREW.1072	270
SCREW.1072	275
SCREW.1074	269
SCREW.1075	275
SCREW.1076	270, 279, 291
SCREW.1077	270
SCREW.1077	275, 291
SCREW.1081	270, 279, 291

Part No.	Page
SCREW.1082	293
SCREW.1083	293
SCREW.1084	293
SCREW.1085	293
SCREW.1088	291
SCREW.1099	266
SCREW.1105	266
SCREW.1114	271, 291
SCREW.1121	271, 275, 291
SCREW.1136	262, 264
SCREW.1141	270, 275, 291
SCREW.1143	259, 270, 275
SCREW.1150	275
SCREW.1282	259
SHIM.112	293
SLIDER.101	275
SOLENOID.142 ..	264
SPACER.107	275
SPRING.103	279, 285
SPRING.104	285
SPRING.105	266
STK70	294
STK150	294
STK170	294
STUD.101	278, 285
SWITCH.1002 ...	264
SWITCH.1004 ...	264
SWITCH.1006 ...	271, 275, 291
WASHER.102 ...	262, 264
WASHER.103 ...	262, 264
WASHER.107 ...	262
WASHER.108 ...	266
WASHER.109 ...	266
WASHER.110 ...	266
WASHER.116 ...	265
WASHER.120 ...	293
WASHER.121 ...	293
WF603	188, 203, 221, 235
WRENCH.101	279, 285

Prices subject to change without notice

General Closer Information.....	299	Concealed	306
Finishes.....	299	OHC100A Series.....	306
Common Applications	300	OHC100A Options and Parts	306
Surface Mount	301	Auto Operator	307
SC Series Options Overview	301	8200 Series.....	307
SC60/SC60A Series (Light-Medium Duty).....	302	8200 Options and Parts	307
SC60/SC60A Options and Parts.....	302	8300 Series Actuators & Accessories	308
SC70/SC70A Series (Heavy Duty)	303		
SC70/SC70A Options and Parts.....	303		
SC80/SC80A Series (Medium Duty).....	304		
SC80/SC80A Options and Parts.....	304		
SC90/SC90A Series (Light/Residential Duty)	305		
SC90/SC90A Options and Parts.....	305		

General Closer Information

Surface Mount SC Series

Certifications and Listings

1. SC60/SC60A, SC70/SC70A and SC80/SC80A Series Closers are certified to meet the requirements of ANSI Standard A156.4, Grade 1.
2. SC90/SC90A Series Closers are certified to meet the requirements of ANSI Standard A156.4, Grade 3.
3. SC60/SC60A, SC70/SC70A, SC80/SC80A, and SC90 Series Closers without hold-open arms are UL10C fire rated.
4. SC61/SC61A, SC71/SC71A, SC81/SC81A, and SC91 Series are designed to meet the American Disabilities Act (ADA) and ANSI A117.1.
5. SC93 (spring size 3) and SC94 (spring size 4) Series do not meet ADA force requirements.

Covers and Hardware:

1. SC80/SC80A Series Closers ship with a standard SLIM cover unless an optional FULL (FC) cover is added to the order line.
2. SC60/SC60A Series Closers ship as LESS cover unless an optional SLIM cover is added to the order line.
3. SC90/SC90A Series Closers ship LESS cover unless an option SLIM cover is added to order line.
4. All SC 60/70/80/90 Series Closers are furnished with a TBWMS fastener pack. ALL SC60A/70A/80A/93A/94A closer series are furnished with TBWMS and Self-Reaming and Tapping Screws.

Master Cartons

1. All SC60, SC80 and SC90 Series Closers are packed with six (6) identical closers per master carton. SC60A and SC80A RWPA are packed with six (6) identical closers per master carton. SC60A and SC80A HWP, DS, DSHO, HD, SS, and SSHO arms are packed 4 per master carton.

Closer Finishes

Finish Code	BHMA	Finish Color Description
MTBK	622	Matte Black
AL	689	Silver Painted (Resembles Aluminum Finish)
DKB	695	Dark Bronze Painted (Spray Duranodic)
BR	696	Brass Painted

- REFERENCE NOTES:**
- 1) OHC100 and OHC101 cylinder and components only available in DKBRZ. VO style arm available in AL or DKBRZ finish.
 - 2) 8200 Series Auto Operator only available in AL.
 - 3) Matte Black finish will not transition to SC60A, SC70A, and SC80A until Q3 2017.

Prices subject to change without notice

2. SC70/SC70A Series Closers are packed with four (4) identical closers per master carton.

Overhead Concealed OHC100A Series

Certifications and Listings

1. OHC100A and OHC101A Series Closers without hold-open option are listed to UL228.
2. OHC101A Series Closers are designed to meet the American Disabilities Act (ADA) and ANSI A117.1.
3. OHC100A Series Closers (spring size 3-5) do not meet ADA force requirements.

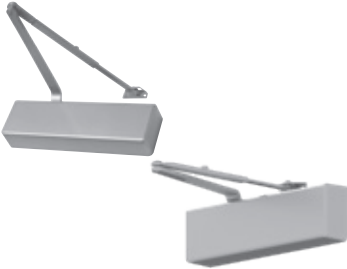




Device Options

1. OHC100A and OHC101A Series Closers are available with 90° or 105° of door swing cylinders.
2. OHC100A and OHC101A Series Closers utilize a 'Hold-Open' feature within the cylinder assembly.
3. 'A' Style arm is an End Load(EL) arm
4. 'S' Style arm is a Side load(SL) arm
5. 'VO' Style is used on doors hung with offset pivots or butt hinges.
6. OHC100A and OHC101A cylinders come standard with DKBRZ finish and components come with AL finish.

Competitive Retrofit

OHC100A Series are a retrofit for the following models; Norton 4900, Jackson 20-330, Global TC7000, International 100 or 200 and the Kawneer Husky II.

Common Applications

	Series	Duty	Applications
	SC70/SC70A Series	Heavy	Commercial / Exterior Door Commercial / Interior Door Aluminum Store Front
	SC80/SC80A Series	Medium	Commercial / Exterior Door Commercial / Interior Door Aluminum Store Front
	SC60/SC60A Series	Light-Medium	Commercial / Exterior Door Commercial / Interior Door Aluminum Store Front
	SC90/SC90A Series	Light	Commercial / Interior Door Aluminum Store Front
	OH100A Series	Medium	Aluminum Store Front Retail

CLOSERS

Prices subject to change without notice

Falcon has several options to meet your unique application and/or installation needs. See the options section on each series page in the Falcon Closer price list for available options by series. Please contact **Falcon Closer Customer Care at (877) 671-7011** for additional information. As always, we appreciate your business!

Cylinder Options

- **STD – Standard Cylinder.** Cylinder will provide consistent door control throughout the opening & closing cycle. Independent backcheck, main speed and latch speed are field adjustable regulation valves and incorporated into the cylinder.
- **DEL – Delay Action Cylinder.** Cylinder will provide consistent door control throughout the opening & closing cycle but includes an extra regulation valve that allows the door to slowly close (delay) as it begins to send the door back to latch (approximately 70°). Independent backcheck, main speed and latch speed are field adjustable regulation valves and incorporated into the cylinder.

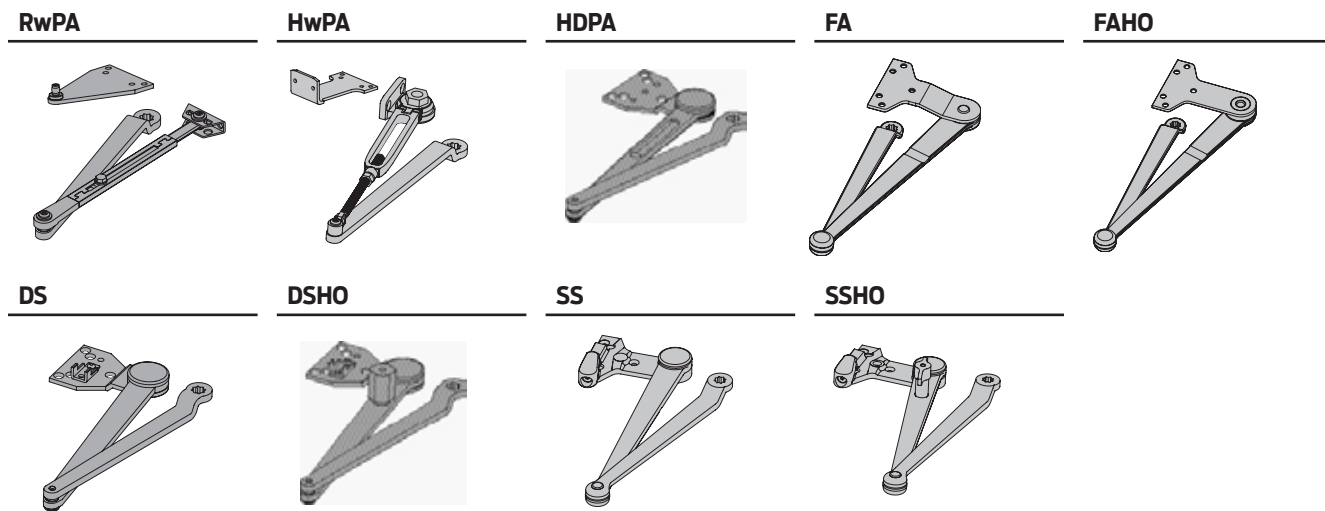
Cover Options

- **STD – Standard Cover.** Cover will enclose the cylinder body with the exception of the unused pinion shaft. A shaft cover will be included to cover the unused pinion shaft.
- **SLIM – Slim Cover.** Cover will enclose the cylinder body with the exception of the unused pinion shaft. A shaft cover will be included to cover the unused pinion shaft.
- **FULL – Full Cover.** Cover will enclose the entire cylinder body, including the unused pinion shaft.

Arm Options

- **Rw/PA – Regular Arm with Parallel Arm Bracket.** Includes adjustable forearm assembly to accommodate a variety of door types and frame conditions. Parallel Arm (PA) bracket allows closer to be installed on the 'push' side of the door in a parallel arm type configuration.
- **Hw/PA – Hold Open Arm with Parallel Arm Bracket.** Includes adjustable forearm assembly to accommodate a variety of door types and frame conditions. Parallel Arm (PA) bracket allows closer to be installed on the 'push' side of the door in a parallel arm type configuration. Hold open function adjustable at the arm shoe.
- **HD/PA – Heavy Duty Arm with Parallel Arm Bracket.** Includes a stamped steel main arm and forearm for added durability in potentially high traffic and/or abusive applications. Parallel Arm (PA) bracket is a permanent feature, installation on 'push' side of the door in a parallel arm type configuration is required.

- **FA – Forged Arm.** Extra heavy duty arm with parallel arm bracket. Includes a forged steel main arm and forearm for maximum durability in high traffic and/or abusive applications. Parallel Arm (PA) bracket is a permanent feature, installation on 'push' side of the door in a parallel arm type configuration is required.
- **FA/HO – Forged Arm with Hold Open.** Extra heavy duty arm with parallel arm bracket that incorporates a hold open feature. Includes a forged steel main arm and forearm for maximum durability in high traffic and/or abusive applications. Parallel Arm (PA) bracket is a permanent feature, installation on 'push' side of the door in a parallel arm type configuration is required.
- **DS – Dead Stop Arm.** Heavy duty arm with parallel arm bracket that incorporates a positive mechanical stop. Includes a stamped steel main arm and forearm for added durability in potentially high traffic and/or abusive applications. Parallel Arm (PA) bracket is a permanent feature, installation on 'push' side of the door in a parallel arm type configuration is required.
- **DS/HO – Dead Stop Arm with Hold Open.** Heavy duty arm with parallel arm bracket that incorporates a positive mechanical stop and hold open feature. Includes a stamped steel main arm and forearm for added durability in potentially high traffic and/or abusive applications. Parallel Arm (PA) bracket is a permanent feature, installation on 'push' side of the door in a parallel arm type configuration is required. Hold open function is manually selected with a 'thumb turn' feature built into the main portion of the arm.
- **SS – Spring-n-Stop Arm.** Extra heavy duty arm with parallel arm bracket that incorporates an integral spring stop. Includes a forged steel main arm and forearm for maximum durability in high traffic and/or abusive applications. Parallel Arm (PA) bracket is a permanent feature, installation on 'push' side of the door in a parallel arm type configuration is required.
- **SS/HO – Spring-n-Stop Arm with Hold Open.** Extra heavy duty arm with parallel arm bracket that incorporates an integral spring stop and hold open feature. Includes a forged steel main arm and forearm for maximum durability in high traffic and/or abusive applications. Parallel Arm (PA) bracket is a permanent feature, installation on 'push' side of the door in a parallel arm type configuration is required.



Fastener Pack Option

- **TBWS – Through Bolt, Wood & Machine Screws.** Fasteners for installation on wood, hollow metal or aluminum store front type doors. Through bolts for installations on 1¾" thick, hollow core doors are included. SC60A/SC70A/SC80A/SC93A/SC94A faster pack will contain TBWS and Self-Reaming and Tapping Screws

ADA Accessibility Requirements

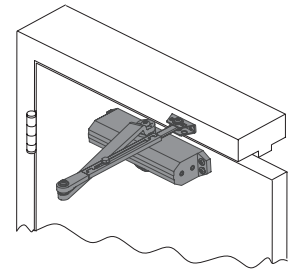
- **Product Information – Closers are preset for standard spring power or can be adjusted in the field to generate the 5lbs. of opening force (36" wide, interior door) requirements for ADA (Sections 4.13.10 and/or 4.13.11) and the ANSI Standard A117.1 (Sections 4.13.10 and/or 4.13.11).**
- **Product Information – Closers installed with the delay (DEL) cylinder option will also comply with the additional advisory suggestions for ADA (Section 4.13.10) and ANSI A117.1 (Section 4.13.10).**

Prices subject to change without notice

SC60/SC60A Series

Light-Medium Duty

Model	Arm Type	Shipping Weight	AL (689) DKB (695) BR (696) MTBK (622) ¹
SC61/SC61A	RwPA	7	178
SC61/SC61A	HwPA	7	203
SC61/SC61A	HDPA ¹	7	203
SC61/SC61A	DS	9	224
SC61/SC61A	DSHO ¹	9	249
SC61/SC61A	SS ¹	9	296
SC61/SC61A	SSHO ¹	9	315



SC60/60A Series

REFERENCE NOTES:

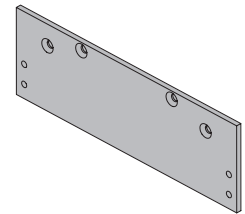
- 1) SC61 HD, DS/HO, SS, and SS/HO are not available in matte black.
- 2) SC61/SC61A ships standard as LESS cover.
- 3) SC61/SC61A is fully adjustable 1-5

Closer Options

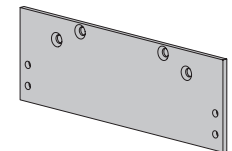
Suffix	Description	List Adder
SLIM	SLIM Cover	16

Closer Parts and Accessories

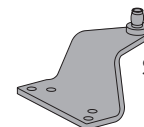
Model	Description	Shipping Weight	List
SC61/SC61A-3071	Standard Cylinder	9	110
SC60/SC60A-72	Slim Cover	1	16
SC60/SC60A-3077/PA	Regular Arm w/ PA Bracket	3	69
SC60/SC60A-3049/PA	Hold Open Arm w/ PA Bracket	3	94
SC60/SC60A-3077HD	Heavy Duty Parallel Arm ¹	3	94
SC60/SC60A-3077DS	Dead Stop Parallel Arm	5	113
SC60/SC60A-3049DS	Hold Open Dead Stop Parallel Arm ¹	5	138
SC60/SC60A-3077SS	Spring N Stop Arm ¹	5	185
SC60/SC60A-3049SS	Hold Open Spring N Stop Arm ¹	5	206
SC60/SC60A-18	Mounting Plate - Top Jamb	2	35
SC60/SC60A-18PA	Mounting Plate - Push Side	2	35
SC60/SC60A-30	Cush Shoe Support	1	23
SC60/SC60A-61	Blade Stop Spacer	1	26
SC60/SC60A-62A	Offset Auxiliary Shoe	1	30
043156626427	SC60A/80A Standard Screw Pack AL Finish replacing 42824		11
043156626465	SC60A/80A Standard Screw Pack DKB Finish replacing 42833		11
043156626441	SC60A/80A Standard Screw Pack BR Finish replacing 42840		11
043156626434	SC60A/80A Screw Pack for Affixed Parallel Arm Shoe (AL) - in addition to 043156626427		11
043156626472	SC60A/80A Screw Pack for Affixed Parallel Arm Shoe (DKB) - in addition to 043156626465		11
043156626458	SC60A/80A Screw Pack for Affixed Parallel Arm Shoe (BR) - in addition to 043156626441		11
043156618422	SC60A/80A PINION CAP (AL)		7
043156618446	SC60A/80A PINION CAP (DKB)		7
043156618439	SC60A/80A PINION CAP (BR)		7
043156618453	SC60/80 PINION CAP (MTBK)		7



SC60A-18



SC60A-18PA



SC60A-62A

REFERENCE NOTES:

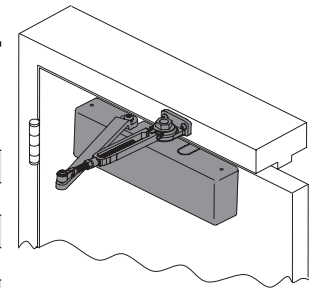
- 1) SC61, SS, and SS/HO arms are not available in matte black.
- 2) Matte Black finish will transition to SC61A in Q3 2017.
- 3) Matte Black and Dark Bronze Closers share the same screw finish.

Prices subject to change without notice

SC70/SC70A Series

Heavy Duty

Model	Arm Type	Shipping Weight	AL (689) DKB (695) BR(696) MTBK (622) ¹
SC71/SC71A	RwPA	10	350
SC71/SC71A	HwPA	10	375
SC71/SC71A	HDPA	11	375
SC71/SC71A	FA ¹	11	393
SC71/SC71A	FAHO ¹	11	419
SC71/SC71A	DS	11	395
SC71/SC71A	DSHO ¹	12	421
SC71/SC71A	SS ¹	12	468
SC71/SC71A	SSHO ¹	12	487



SC70/SC70A Series

REFERENCE NOTES:

- 1) SC71 FA, FA/HO, SS, and SS/HO are not available in matte black.
- 2) SC71 ships standard with a FULL Cover.
- 3) SC71 is fully adjustable 1-6

Closer Options

Suffix	Description	List Adder
DEL ¹	Delayed Action Cylinder	31

REFERENCE NOTE:

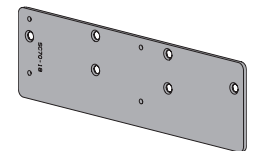
- 1) Delay Action is not available in matte black and will transition to SC71A end of 2017

Closer Parts and Accessories

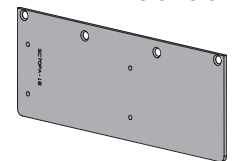
Model	Description	Shipping Weight	List
SC71/SC71A-3071	Standard Cylinder	12	263
SC71/SC71A-3071DEL	Delay Cylinder ¹	12	300
SC70/SC70A-72	FULL Cover	1	19
SC70/SC70A-3077/PA	Regular Arm w/ PA Bracket	3	69
SC70/SC70A-3049/PA	Hold Open Arm w/ PA Bracket	3	94
SC70/SC70A-3077HD	Heavy Duty Parallel Arm	3	94
SC70/SC70A-3077FA	Forged Parallel Arm ¹	3	111
SC70/SC70A-3049FA	Hold Open Forged Parallel Arm ¹	3	136
SC70/SC70A-3077DS	Dead Stop Parallel Arm	5	113
SC70/SC70A-3049DS	Hold Open Dead Stop Parallel Arm ¹	5	138
SC70/SC70A-3077SS	Spring N Stop Arm ¹	5	185
SC70/SC70A-3049SS	Hold Open Spring N Stop Arm ¹	5	206
SC70/SC70A-18	Narrow Frame Back Plate	3	60
SC70/SC70A-18PA	Narrow Top Rail Drop Plate	4	60
SC70/SC70A-30	Cush Shoe Support	1	23
SC70/SC70A-61	Blade Stop Spacer	1	26
SC70/SC70A-62A	Offset Auxiliary Shoe	1	30
043156649228	SC70A STD SCREW PACK AL		11
043156649242	SC70A STD SCREW PACK DKB		11
043156649235	SC70A STD SCREW PACK BR		11
43065	SC70 Screw Pack for Affixed Parallel Arm Shoe (AL)		11
43100	SC70 Screw Pack for Affixed Parallel Arm Shoe (DRK)		11
43101	SC70 Screw Pack for Affixed Parallel Arm Shoe (BR)		11

REFERENCE NOTE:

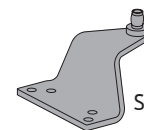
- 1) SC71/SC71A FA, FA/HO, SS, and SS/HO arms are not available in matte black.
- 2) Matte Black will transition to SC71A in Q3 2017.
- 3) Delay Action will transition to SC71A by end of 2017.
- 4) Matte Black and Dark Bronze Closers share the same screw finish.



SC70/SC70A-18



SC70/SC70A-18PA



SC70/SC70A-62A

CLOSERS

Surface Mount / Mechanical

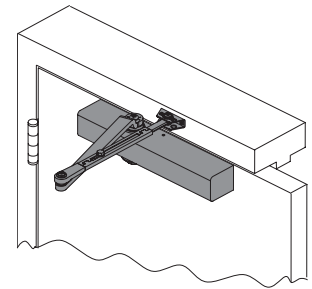
SC70/SC70A

Prices subject to change without notice

SC80/SC80A Series

Medium Duty

Model	Arm Type	Shipping Weight	AL (689) DKB (695) BR (696) MTBK (622) ¹
SC81/SC81A	RwPA	8	224
SC81/SC81A	HwPA	8	248
SC81/SC81A	HDPA ¹	10	248
SC81/SC81A	DS	10	269
SC81/SC81A	DSHO ¹	10	293
SC81/SC81A	SS ¹	10	342
SC81/SC81A	SSHO ¹	10	360



SC80/SC80A
(w/ full cover shown)

REFERENCE NOTES:

- 1) SC81 delay action, SS, and SS/HO arms are not available in matte black.
- 2) SC81/SC81A ships standard with a SLIM Cover.
- 3) SC81/SC81A is fully adjustable 1-6

Closer Options

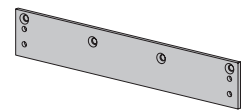
Suffix	Description	List Adder
FC	FULL Cover	8
DEL ¹	Delayed Action Cylinder	31

REFERENCE NOTE:

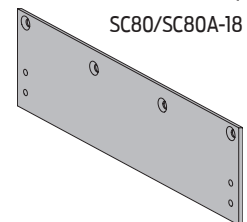
- 1) Delay action is not available in matte black and will transition to SC81A end of Q3 2017.

Closer Parts and Accessories

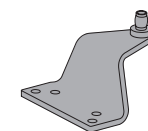
Model	Description	Shipping Weight	List
SC81/SC81A-3071	Standard Cylinder	10	144
SC81-3071DEL	Delay Cylinder ¹	10	180
SC80/SC80A-72	Slim Cover	1	12
SC80/SC81A-72FC	FULL Cover	1	19
SC80/SC81A-3077/PA	Regular Arm w/ PA Bracket	3	69
SC80/SC81A-3049/PA	Hold Open Arm w/ PA Bracket	3	94
SC80/SC81A-3077HD	Heavy Duty Parallel Arm ¹	3	94
SC80/SC81A-3077DS	Dead Stop Parallel Arm	5	113
SC80/SC81A-3049DS	Hold Open Dead Stop Parallel Arm ¹	5	138
SC80/SC81A-3077SS	Spring N Stop Arm ¹	5	185
SC80/SC81A-3049SS	Hold Open Spring N Stop Arm ¹	5	206
SC80/SC81A-18	Mounting Plate - Top Jamb	2	35
SC80/SC81A-18FC	Mounting Plate - Top Jamb for FULL Cover	2	35
SC80/SC81A-18PA	Mounting Plate - PA	2	35
SC80/SC81A-18PAFC	Mounting Plate - PA for FULL Cover	2	35
SC80/SC81A-30	Cush Shoe Support	1	23
SC80/SC81A-61	Blade Stop Spacer	1	26
SC80/SC81A-62A	Offset Auxiliary Shoe	1	30
043156626427	SC60A/80A Standard Screw Pack AL		11
043156626465	SC60A/80A Standard Screw Pack DKB		11
043156626441	SC60A/80A Standard Screw Pack BR		11
043156626434	SC60A/80A Screw Pack for Affixed Parallel Arm Shoe (AL) - in addition to 043156626427		11
043156626472	SC60A/80A Screw Pack for Affixed Parallel Arm Shoe (DKB) - in addition to 043156626465		11
043156626458	SC60A/80A Screw Pack for Affixed Parallel Arm Shoe (BR) - in addition to 043156626441		11
043156618422	SC60A/80A PINION CAP (AL)		7
043156618446	SC60A/80A PINION CAP (DKB)		7
043156618439	SC60A/80A PINION CAP (BR)		7
043156618453	SC60/80 PINION CAP (MTBK)		7



SC80/SC80A-18



SC80/SC80A-18PA



SC80/SC80A-62A

REFERENCE NOTE:

- 1) SC80A delay action, SS, and SS/HO arms are not available in matte black.
- 2) Delay action will transition to SC81A by end of 2017.
- 3) Matte Black finish will transition to SC81A in Q3 2017.
- 4) Matte Black and Dark Bronze Closers share the same screw finish.

Prices subject to change without notice

CLOSERS

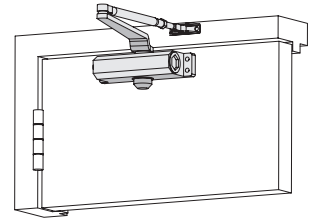
Surface Mount / Mechanical

SC80

SC90/SC90A Series

Light- Residential Duty

Model	Arm Type	Size	Shipping Weight	AL (689) DKB (695)
SC91/SC91A	RwPA	1	5	131
SC91/SC91A	HwPA	1	5	154
SC93/SC93A	RwPA	3	5	131
SC93	HwPA	3	5	154
SC94/SC94A	RwPA	4	5	131
SC94	HwPA	4	5	154



SC90/SC90A Series
(SC91 shown)

REFERENCE NOTES:

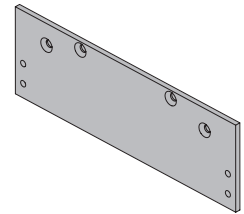
- 1) SC90 series ship standard as LESS Cover.
- 2) Less Back Check option is available on SC91 RWPA AL, SC93 RWPA AL, SC94 RWPA AL & DKB at \$10 Less List

Closer Options

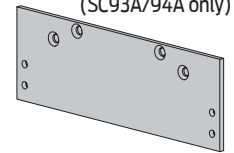
Suffix	Description	List Adder
STD	Standard Cover (Only fits 93 and 94 models)	18

Closer Parts and Accessories

Model	Description	Shipping Weight	List
SC90/SC90A-18	Mounting Plate - Top Jamb	2	35
SC90/SC90A-18PA	Mounting Plate - Push Side	2	35
043156654352	SC90 PINION CAP (ALUM)		7
043156654369	SC90 PINION CAP (DRKBRZ)		7



SC90/SC90A-18
(SC93A/94A only)



SC90/SC90A-18PA
(SC93A/94A only)

CLOSERS

Surface Mount /
Mechanical

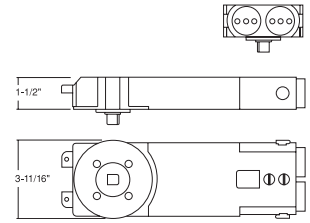
SC90/SC90A

Prices subject to change without notice

OHC100A Series

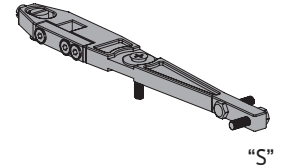
OHC100A Series - Overhead Concealed (90° - without Hold Open)

Model	Door Swing Degree/ Hold Open Option	Arm /Floor Pivot Type	Adjustable Size	Shipping Weight	Standard Finish DKBRZ (695)
OHC100A	SO90 (90° - w/o Hold Open)	EL-DP	3-5	16	318
OHC101A	SO90 (90° - w/o Hold Open)	EL-DP	1-3	16	318
OHC100A	SO90 (90° - w/o Hold Open)	VO*	3-5	16	318
OHC101A	SO90 (90° - w/o Hold Open)	VO*	1-3	16	318
OHC100A	SO90 (90° - w/o Hold Open)	SL/GE	3-5	16	318
OHC101A	SO90 (90° - w/o Hold Open)	SL/GE	1-3	16	318



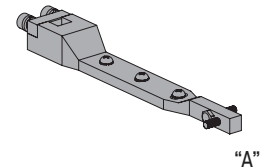
OHC100A Series - Overhead Concealed (90° - with Hold Open)

Model	Door Swing Degree/ Hold Open Option	Arm /Floor Pivot Type	Adjustable Size	Shipping Weight	Standard Finish DKBRZ (695)
OHC100A	HO90 (90° - w/ Hold Open)	EL-DP	3-5	16	318
OHC101A	HO90 (90° - w/ Hold Open)	EL-DP	1-3	16	318
OHC100A	HO90 (90° - w/ Hold Open)	VO*	3-5	16	318
OHC101A	HO90 (90° - w/ Hold Open)	VO*	1-3	16	318
OHC100A	HO90 (90° - w/ Hold Open)	SL/GE	3-5	16	318
OHC101A	HO90 (90° - w/ Hold Open)	SL/GE	1-3	16	318



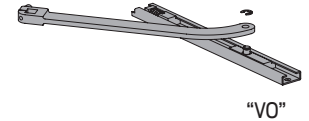
OHC100A Series - Overhead Concealed (105° - without Hold Open)

Model	Door Swing Degree/ Hold Open Option	Arm /Floor Pivot Type	Adjustable Size	Shipping Weight	Standard Finish DKBRZ (695)
OHC100A	S105 (105° - w/o Hold Open)	EL-DP	3-5	16	318
OHC101A	S105 (105° - w/o Hold Open)	EL-DP	1-3	16	318
OHC100A	S105 (105° - w/o Hold Open)	VO*	3-5	16	318
OHC101A	S105 (105° - w/o Hold Open)	VO*	1-3	16	318
OHC100A	S105 (105° - w/o Hold Open)	SL/GE	3-5	16	318
OHC101A	S105 (105° - w/o Hold Open)	SL/GE	1-3	16	318



OHC100A Series - Overhead Concealed (105° - with Hold Open)

Model	Door Swing Degree/ Hold Open Option	Arm /Floor Pivot Type	Adjustable Size	Shipping Weight	Standard Finish DKBRZ (695)
OHC100A	H105 (105° - w/ Hold Open)	EL-DP	3-5	16	318
OHC101A	H105 (105° - w/ Hold Open)	EL-DP	1-3	16	318
OHC100A	H105 (105° - w/ Hold Open)	VO*	3-5	16	318
OHC101A	H105 (105° - w/ Hold Open)	VO*	1-3	16	318
OHC100A	H105 (105° - w/ Hold Open)	SL/GE	3-5	16	318
OHC101A	H105 (105° - w/ Hold Open)	SL/GE	1-3	16	318



REFERENCE NOTES:

- 1) *VO Style offset arm and track available in (AL) (689) or (DKBRZ) (695)
- 2) OHC100A and OHC101A Series Closers utilize a 'Hold-Open' feature within the cylinder assembly.
- 3) OHC100A Series Closers (Sizes 3-5) do not meet ADA force requirements.

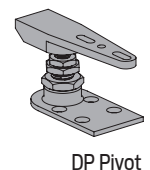
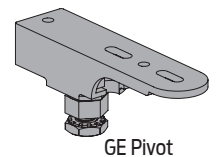
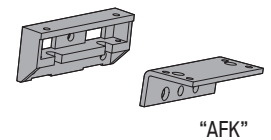
Closer Parts and Accessories

Model	Description	Shipping Weight	AL (689) or DKBRZ (695)
OHC100-S090	Standard 90° Cylinder (Adjustable Sizes 3-5)	12	283
OHC101-S090	Standard 90° Cylinder (Adjustable Sizes 1-3)	12	283
OHC100-H090	Hold Open 90° Cylinder (Adjustable Sizes 3-5)	12	283
OHC101-H090	Hold Open 90° Cylinder (Adjustable Sizes 1-3)	12	283
OHC100-S105	Standard 105° Cylinder (Adjustable Sizes 3-5)	12	283
OHC101-S105	Standard 105° Cylinder (Adjustable Sizes 1-3)	12	283
OHC100-H105	Hold Open 105° Cylinder (Adjustable Sizes 3-5)	12	283
OHC101-H105	Hold Open 105° Cylinder (Adjustable Sizes 1-3)	12	283
OHC100-AFK	Mounting Bracket & Hardware	1	25
OHC100-EL	"A" Style End Load Arm	2	75
OHC100-SL	"S" Style Side Load Arm	2	53
OHC100-VO*	"VO" Style Offset Arm & Track	4	75
OHC100-GE	Center Hung Floor Pivot used with Side Load arm	2	44
OHC100-DP	Center Hung Floor Pivot used with End Load arm	2	44

* VO Style offset arm and track available in AL(689) or DKBRZ (695).

REFERENCE NOTES:

- 1) OHC100 series cylinder are available only in DKBRZ (695)
- 2) Mounting Bracket/Hardware and Arms are available only in AL (689) with the exception of VO Style.
- 3) *VO style offset arm and track are available in both AL (689) or DKBRZ (695).



Prices subject to change without notice

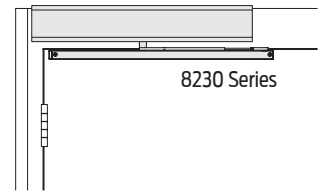
8200 Series

Auto Operator

Model	Description	Shipping Weight	AL (689)
8231	Pull Side (STD)	41	2,398.00

REFERENCE NOTES:

1) Ships with standard 26" length cover.



8230 Series

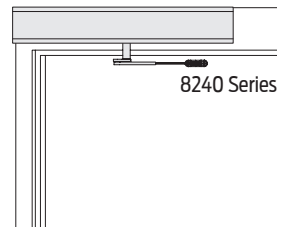
Auto Operator Parts

Model	Description	List
8230-3077T	Standard Arm	142.00
8230-3077PLCM	Standard Arm w/Track	206.00
8230-3038	Track	72.10
8230-72MC	Metal Cover	113.00
8230-MS	Screw Pack	18.50
8230-3018	Mounting Bracket	275.00
8230-3034	Track Roller	19.60
8230-3454	Motor Gearbox Assembly	1,488.00
8230-3462	Control Box	984.00
8230-3498-2A	A/C Power Cable	39.10

Model	Description	Shipping Weight	AL (689)
8242	Push Side (REG)	41	2,398.00

REFERENCE NOTES:

1) Ships with standard 26" length cover.



8240 Series

Auto Operator Parts

Model	Description	List
8240-3077	Regular Arm	115.00
8240-72MC	Metal Cover	113.00
8240-MS	Screw Pack	18.50
8240-77	Main Arm	106.00
8240-79	Rod	19.60
8240-3018	Mounting Bracket	275.00
8240-3454	Motor Gearbox Assembly	1,488.00
8240-3462	Control Box	984.00
8240-3498-2A	A/C Power Cable	39.10

Prices subject to change without notice

8310 Series

Actuators & Accessories

6" Round – Text w/ Logo

Model	Description	List
8310-852T	Push Plate, Wall Mount	273.00
8310-869F	Mounting Box, Flush	166.00
8310-869S	Mounting Box, Surface	166.00
8310-802	Weather Ring	23.70



8310-852T

1 1/2" x 4 3/4" Jamb – Text w/ Logo

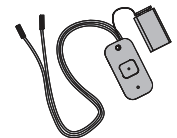
Model	Description	List
8310-818T	Push Plate, Jamb Mount	178.00
8310-819F	Mounting Box, Flush	39.10
8310-819S	Mounting Box, Surface	39.10



8310-818T

Wireless Transmitters & Receiver

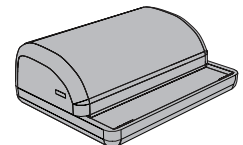
Model	Description	List
8310-844	Transmitter, Wall Mount	202.00
8310-844J	Transmitter, Jamb Mount	202.00
8310-861	Transmitter, Handheld	202.00
8310-865	Receiver	213.00



8310-844

REFERENCE NOTES:

1) Additional actuators and accessories are available through LCN - please see the LCN Price List.



8310-865

Prices subject to change without notice

Standard Features

- UL294 Listed for Access Control
 - Class 2 rated power limited output*
 - Universal 120-240 VAC input
 - Regulated and filtered DC outputs
 - AC input, battery and DC output LED indications
 - Plug and play connectors for optional distribution boards
 - AC input status indication on outside cover
 - AC monitoring
 - 14"H x 12"W x 4"D enclosure
- * PS906 is Class 2 when used with 900-8P option board

1. Select Power Supply

Model No.	Description	List Price
PS902	Base Power Supply (2A @ 12/24 VDC- field selectable) (approx. weight: 9 lbs) -PS902 is able to accept a total of one optional distribution board, plus one fire alarm relay along with one battery backup board and up to two 7A/hr batteries	270.00
PS904	Base Power Supply (4A @ 12/24 VDC- field selectable) (approx. weight: 11 lbs) - PS904 is able to accept a total of two optional distribution boards, plus one battery backup board and up to two 7A/hr batteries	511.00
PS906	Base Power Supply (6A @ 12/24 VDC- field selectable) (approx. weight: 7 lbs) - PS906 is able to accept a total of three optional distribution boards or two optional boards with battery backup board and two 7A/hr batteries	790.00
PS914	Base Power Supply (4A w/ 16A inrush @ 12/24 VDC- field selectable) (approx. weight: 9 lbs) - PS914 is able to accept a total of two optional boards, plus one battery backup board and two 7A/hr batteries	774.00
PS914RFK	The PS914RFK allows the retrofit of the PS914 into an existing PS873 cabinet.	906.00
BAA	Buy America Act compliant power supply option will be labeled as "Assembled in the U.S.A. with U.S. and foreign materials"	42.00

FALCON "EL" devices require the PS914 to operate.

When specifying PS914 power supply for use with "EL" Electric Latch Retraction devices, the 2RS is furnished when board option not specified.

2. Select Optional Distribution Board with or without FA (Fire Alarm Relay)

Model No.	Description	Part #	List Price
900-4R	Independently controlled relays	44489912-00	182.00
900-4R-FA	Independently controlled relays with FA	44489912-00 & 44487247-00	249.00
900-2RS	2 Relay board output	44489896-00	185.00
900-2RS-FA	2 Relay board output with FA	44489896-00 & 44487247-00	252.00
900-4RL	4 Relay board integrated logic for controlling security interlocks, auto operators and time delays	44489920-00	500.00
900-4RL-FA	4 Relay board integrated logic for controlling security interlocks, auto operators and time delays with FA	44489920-00 & 44487247-00	567.00
900-8F	8 fuse protected outputs	44489946-00	67.00
900-8F-FA	8 fuse protected outputs with FA	44489946-00 & 44487247-00	134.00
900-8P	8 PTC protected outputs	44489938-00	67.00
900-8P-FA	8 PTC protected outputs with FA	44489938-00 & 44487247-00	134.00
900-BBK	Battery Backup Kit (includes two 7A/hr batteries)	44489961-00	261.00
900-BB	Battery Backup Board Only (sold separately)	44489953-00	131.00
900-BAT	Batteries Only (two 7A/hr batteries, sold separately)	44487155-00	131.00

* For field installation, use model number. Example: 900-2RS.

3. Select Other Power Supply Options

Model No.	Description	Part #	List Price
900-FA	Fire Alarm Relay (EIR) module is a plug-in relay to provide an interface with fire or other emergency override systems PS902; may be installed directly on power supply or may be used with optional distribution boards PS904/PS906/PS914; must be used with optional distribution boards. If an optional board is not listed the 900-8F-FA will be provided.	44487247-00	67.00
900-KL	Key Lock Cover (not available with BAA)	44486850-00	42.00

NOTES:

- 1) PS902, PS904, PS 906 and PS914 power supplies require connection to AC line voltage. Installation and all electrical connections (high and low voltage) should be performed by a qualified electrical contractor.
- 2) Power Supplies and Power Supply Options are not subject to standard discount terms.

Prices subject to change without notice

Power Transfers

Electric Power Transfers

Model No.	Description	SP28	SP313	Weight lbs
EPT 2	Two 18 gauge wires	504	504	2.5
EPT 10	Ten 24 gauge wires	535	535	2.5

NOTE:
Electric Power Transfers are not subject to standard discount terms.

EPT Options

Suffix	Description	List Add
CON	Cross-category solution using common interconnect components for electrified options. Available on the EPT10. Specify CON. See wire harness options in below Allegion Connect table.	\$11.00
BAA	"Buy America Act" compliant EPT option - No additional charge will be labeled as "Assembled in the U.S.A. with U.S. and foreign materials"	N/C

Allegion Connect Harnesses - Prices listed are net, discounting does not apply

Part Number	Description	Price Each
Harnesses with Molex Connectors on both ends (for use with Hollow Metal Doors)		
CON-6	6" Wire Harness (internal p/n 106190-00)	\$12.00
CON-12	12" Wire Harness (internal p/n 106191-00)	16.00
CON-26	26" Wire Harness (internal p/n 106192-00)	18.00
CON-32	32" Wire Harness (internal p/n 106193-00)	19.00
CON-38	38" Wire Harness (internal p/n 106194-00)	21.00
CON-44	44" Wire Harness (internal p/n 106195-00)	20.00
CON-50	50" Wire Harness (internal p/n 106196-00)	21.00
CON-192	192" Wire Harness (internal p/n 106197-00)	48.00
Harnesses with Molex Connector on one end, crimped pins on other w/ attachable Molex connector (for use with Wood Doors)		
CON-6P	6" Wire Harness (internal p/n 106201-00)	\$15.00
CON-12P	12" Wire Harness (internal p/n 106202-00)	19.00
CON-26P	26" Wire Harness (internal p/n 106203-00)	21.00
CON-32P	32" Wire Harness (internal p/n 106204-00)	22.00
CON-38P	38" Wire Harness (internal p/n 106205-00)	22.00
CON-44P	44" Wire Harness (internal p/n 106206-00)	23.00
CON-50P	50" Wire Harness (internal p/n 106207-00)	24.00
CON-192P	192" Wire Harness (internal p/n 106208-00)	50.00
Harness with Molex Connector on one end, stripped leads on other (for connection to power supply)		
CON-6W	6" extension to power supply (internal p/n 106210-00)	\$15.00
Service Kit		
CON-KIT	Connector Service Kit (internal p/n 050823-00) contains: -100 each male & female terminals -10 each 4-pin and 8-pin male connectors -10 each 4-pin and 8-pin female connectors - 1 extraction tool - CON Adapter Harnesses for electrified hardware are located in the parts section with their corresponding products.	\$119.00

Prices subject to change without notice

About Allegion

Allegion (NYSE: ALLE) creates peace of mind by pioneering safety and security. As a \$2 billion provider of security solutions for homes and businesses, Allegion employs more than 8,000 people and sells products in more than 120 countries across the world. Allegion comprises 27 global brands, including strategic brands CISA®, Interflex®, LCN®, Schlage® and Von Duprin®.

For more, visit www.allegion.com

KRYPTONITE ■ LCN ■  ■ STEELCRAFT ■ VON DUPRIN