

# **PRICE BOOK**

**October 1, 2017**



# **ALARM LOCK**

ALARM LOCK SYSTEMS, LLC

345 Bayview Ave.

Amityville, NY 11701

1-800-ALA-LOCK (252-5625)

(631) 789-4871 Tel or (631) 789-3383 Fax



## Price Book 2017

### **Important Things to Know about Doing Business with Alarm Lock Systems, Inc.**

Prices shown in this book are list prices. All customers with direct accounts receive a discount letter along with each new price book. If you have a direct account with Alarm Lock you may request a copy of your discount letter in writing or by contacting you local sales representative.

The price book is for pricing purposes only and does not represent stocking levels. Certain items are manufactured to order. Please be sure to consult the factory or your Alarm Lock representative or Regional Sales Manager for availability.

**Terms:** Net 30

**Freight Allowance:** Shipments are F.O.B. Amityville, NY. Freight allowed within the continental U.S.A. is \$7,500.00. **Freight allowance not available on drop ship orders.**

**Drop Shipments:** All orders shipping to an address other than the customer's or one of their branches, is subject to a \$25.00 handling fee. **Freight allowance not available on drop ship orders.**

**Minimum Order:** The minimum order requirement has been changed to \$250.00 for all customers.

**Returns/Warranty:** Please see last page of price book for details.

**Website:** Visit us at [www.alarmlock.com](http://www.alarmlock.com) for a complete list of sales representatives by state, product specifications, technical data, and downloadable PDF files of all Alarm Lock's products as well as the most current version of our software DL-Windows.

#### **If you need to contact us:**

Alarm Lock Systems, Inc.  
345 Bayview Ave  
Amityville NY 11701

Toll free number – 1 800 ALA-LOCK (252-5625)  
Direct telephone – 631 789-4871  
Direct fax – 631 789-3383

All prices published are suggested list prices in US Dollars. Some specifications are preliminary and subject to change without prior notice. Not responsible for typographical errors. Alarm Lock Systems, LLC, is a Division of Napco Security Technologies, Inc. (NASDAQ:NSSC) © Alarm Lock Systems, LLC, 9.16



## Table of Contents

Trilogy DL2700/DL2700LD	100 user Lock/LocDown.....	6
Trilogy DL5200	100 user Double Sided Lock.....	7
Trilogy DL2700CR/DB T2 Series	.....	8-9
Trilogy ETDL27 Series	.....	10-12
Trilogy DL2800	200 user Lock.....	13
Trilogy DL3000	300 user Lock.....	14
Trilogy DL3200	2000 user Lock.....	15
Trilogy DL5300	2000 user Double Sided Lock.....	16
Trilogy DL4100	2000 user Privacy/Residency Lock.....	17
Trilogy PDL3000	2000 user Proximity & Keypad Lock.....	18
Trilogy PDL5300	2000 user Proximity Double Sided Lock.....	19
Trilogy PL3000	2000 user Proximity Only Lock.....	20
Trilogy PDL4100	2000 user Proximity w/Privacy/Residency Lock.....	21
Trilogy Cylindrical Lock Parts.....		22-23
Trilogy & Networx Remote Release Products	.....	24
Trilogy DL3500	300 user Mortise Lock	25-26
Trilogy DL4500	2000 user Mortise w/Privacy/Residency Lock.....	27
Trilogy PL/PDL3500	2000 user Proximity Mortise Lock	28-29
Trilogy PDL4500	2000 user Proximity Mortise w/Privacy/Residency Lock.....	30-31



Price Book 2017

## Table of Contents (con't)

Trilogy DL1200	100 user Narrow stile Lock.....	32
Trilogy DL1300	2000 user Narrow Stile Lock.....	33
Trilogy PDL1300	2000 user Narrow Stile Proximity Lock.....	34
Trilogy Narrow Stile Lock Parts & Accessories.....		35
Trilogy DL1200ET, DL/PDL1300ET	Narrow Stile Exit Trim.....	36-37
Trilogy Narrow Stile Exit Trim Parts & Accessories.....		38
Trilogy ETDL/ETPDL	2000 user Exit Trim Lock.....	39-41
Trilogy DK3000	2000 user Keypad/Wall Mounted Reader.....	42
Trilogy PDK3000	2000 user Proximity Keypad/Wall Mounted Reader .....	42
Trilogy DL6100	Networx Digital Lock, 5,000 user codes .....	43
Trilogy PDL6100	Networx Proximity & Keypad 5,000 user codes .....	44
Trilogy Training Options .....		45
Trilogy PL6100/PDL6200	Networx Proximity Only 5,000 user codes .....	46
Trilogy DL6500	Networx Digital Mortise Lock 5,000 user codes .....	47
DL 6500 Mortise Lock Accessories .....		48
Trilogy PDL6500/PL6500	Networx Proximity and Prox Only 5,000 user codes .....	49
PDL6500/PL6500/PDL6600	Mortise Lock Accessories .....	50
PDL8200/PDL8600	iClass Networx Locks and Accessories.....	51-53
New Networx Accessories .....		54
ETPDNSRX	Networx Exit Trim .....	55



**Table of Contents (con't)**

**Trilogy ETDLN Networx Exit Trim 5,000 user codes .....55-57**

**Trilogy ETPDN Networx Exit Trim 5,000 user codes .....55-57**

**Trilogy ETPLN Networx Exit Trim 5,000 user codes .....55-57**

**NETDK Networx Digital wireless Keypad .....58**

**NETPDK Networx Proximity & Digital Keypad .....58**

**NETDK/PDK Kits and Accessories .....59**

**Trilogy Remote Release .....60**

**Networx Upgrade Kits .....61**

**ArchiTech™ Series Locks and Accessories .....62-66**

**Weather Resistant Alarmed Panic Devices.....67**

**Alarmed Panic Devices.....68**

**Door Alarms.....69**

**Delayed Egress Panic Device.....70**

**Electric Deadbolts.....71**

**Remote Release Magnets.....71**

**Power Magnets.....71**

**Alarm Lock Warranty/Return Policy .....73**



## TRILOGY ELECTRONIC DIGITAL LOCKS

**DL2700 SERIES – Electronic battery operated digital lock. Holds up to 100 user codes, 1 Master, 10 Manager codes & up to 3 one time user codes.**

**SPECIFICATIONS:**



DL2700



DL2700LD  
(LocDown™)

Door Thickness: Fits 1 5/8" to 1 7/8". Other thickness, please consult factory  
 Backset: 2 3/4" (2 3/8" also available)  
 Strike: 1 1/8"x 2 3/4" T strike & 1 1/4" x 4 7/8 ASA strike included  
 Latchbolt: UL Listed, fire rated 3 hours, 1/2" throw reversible  
 Handing: Non-handed  
 Power: 5 AA alkaline batteries (included)  
 Keypad: All metal, 12 button. All functions programmed through keypad.  
 Door prep: Standard ANSI A115 Series prep, modified by adding additional through-bolt holes  
 Compliances: BHMA Certified Grade 1 heavy duty cylindrical lockset. UL listed UL Listed 10C Positive Pressure Specification. FCC Certified . ADA compliant levers  
 Cylinder: 6 pin solid brass, SC1 keyway, furnished with all key override locks. Schlage, Corbin-Russwin CL, Sargent 480 series, ASSA 65-611 & Lori cylinders can also be used with HW620 tailpiece (supplied)  
 Interchangeable Core Models: Standard model accepts 6 & 7 pin cylinders from Best, Falcon, Arrow, KSP, Medeco Keymark & Kaba Peaks. IC core models prepped for 6 & 7 pin Yale, Medeco, Sargent, Corbin-Russwin & Schlage are also available

**Extended sizes:**  
 WP standard and SFIC cylinder preps can be extended for thicker doors.

**\$165.00 add on to list for extended lock.**

Extended lock legend:  
 W54 - 2 1/8"  
 W57 - 2 1/4"  
 W60 - 2 3/8"  
 W64 - 2 1/2"  
 W70 - 2 3/4"  
 W76 - 3"  
 W83 - 3 1/4"  
 W89 - 3 1/2"

Note: Locks can be adjusted by +/- 1/8" by adding or removing spacers.

**PLEASE CHECK WITH FACTORY FOR LEAD TIMES ON SPECIAL FINISHES AND IC PREPS SPECIFY "WP" FOR WEATHER RESISTENT MODEL**

PRODUCT	FINISH	LIST PRICE
DL2700	US26D	\$881.00
Standard key override	US3 & US10B	\$1,009.00
DL2775	US26D	\$941.00
Standard Key override	US3 & US10B	\$1,066.00
DL2700IC*	US26D	\$916.00
Interchangeable core	US3 & US10B	\$1,028.00
DL2775IC*	US26D	\$976.00
Interchangeable core	US3 & US10B	\$1,044.00
DL2700WP	US26D	\$964.00
Weather proof key override	US3 & US10B	\$1,025.00
DL2775WP	US26D	\$978.00
Weather proof key override	US3 & US10B	\$1,046.00
DL2700WPIC*	US26D	\$978.00
Weather proof	US3 & US10B	\$1,011.00
Interchangeable core		
DL2775WIC*	US26D	\$998.00
New Regal (curved) lever	US3 & US10B	\$1,069.00
Interchangeable core		
DL2700SK	Mounted DL2700 demo	Call Factory
DL2700LD	US26D	\$927.00
Standard Key override		
DL2700LDIC	US26D	\$973.00
Interchangeable core		

\*Add "C" for Corbin, "M" for Medeco, "R" for Sargent, "Y" for Yale and "S" for Schlage to end of the part number for specially prepped IC core models. Add \$15.00 to the list price shown above. \*\*MUST SPECIFY 7 PIN FOR CORBIN AND YALE\*\*



## TRILOGY ELECTRONIC DOUBLE SIDED DIGITAL LOCKS

**DL5200 SERIES – Double sided electronic battery operated digital lock. Holds up to 100 user codes, 1 Master, 10 Manager codes & up to 3 one time user codes. Programmable keypad on both sides of the door. Key override is only operable on the primary side. The key on the secondary side is used only to remove the lever and access the batteries.**

**SPECIFICATIONS:**

Door Thickness: Fits 1 5/8" to 1 7/8". Other thickness, please consult factory  
 Backset: 2 3/4" (2 3/8" also available)  
 Strike: 1 1/8"x 2 3/4" T strike & 1 1/4" x 4 7/8" ASA strike included  
 Latchbolt: UL Listed, fire rated 3 hours, 1/2" throw reversible  
 Handing: Non-handed  
 Power: 5 AA alkaline batteries (included)  
 Keypad: All metal, 12 button. All functions programmed through keypad on both sides of the door  
 Door prep: Standard ANSI A115 Series prep, modified by adding additional through-bolt holes  
 Compliances: BHMA Certified Grade 1 heavy duty cylindrical lockset. UL listed UL Listed 10C Positive Pressure Specification. FCC Certified . ADA compliant levers  
 Cylinder: 6 pin solid brass, SC1 keyway, furnished with all key override locks. Schlage, Corbin-Russwin CL, Sargent 480 series, ASSA 65-611 & Lori cylinders can also be used with HW620 tailpiece (supplied)  
 Interchangeable Core Models: Standard model accepts 6 & 7 pin cylinders from Best, Falcon, and Arrow **only**.



**ALL DL5200 LOCKS ARE WEATHER RESISTANT**

**PLEASE CHECK WITH FACTORY FOR LEAD TIMES ON SPECIAL FINISHES**

PRODUCT	FINISH	LIST PRICE
DL5200 Standard key override	US26D US3 & US10B	\$1,485.00 \$1,552.00
DL5275 Standard Key override Regal (curved)	US26D US3 & US10B	\$1,513.00 \$1,576.00
DL5200IC Interchangeable core	US26D US3 & US10B	\$1,508.00 \$1,576.00
DL5275IC Interchangeable core Regal (curved)	US26D US3 & US10B	\$1,524.00 \$1,604.00
DL5200SK	Mounted DL5200 demo	Call Factory

**Note: Key override operates latch on primary side only. Key override on secondary side protects the battery pack.**



**Price Book 2017**

**NEW! ALARM LOCK TRILOGY T2 SERIES MORTISE LOCK**

**DL2700CR/DB series – Trilogy T2 keyless access lock for mortise door prep. Holds up to 100 use codes, 1 master, 10 manager codes and up to 3 one time user codes.**

**SPECIFICATIONS:**

- Door Thickness: Fits 1 3/8” to 1 7/8” (4.46cm).
- Backset: 2 3/4” standard
- Strike: 1 1/4” x 4 7/8” strike included
- Handing: Specify RH or LH when ordering, lock is reversible  
In the field
- Power: 4 C- cell batteries (included)
- Keypad: All metal, 12 button. Basic functions programmed through keypad.
- Door prep: Standard ANSI A115 Mortise prep, modified by adding additional through-bolt holes
- Compliances: Steelcase lock body meets BHMA specifications For Grade 1 locks. UL listed to the 10C Positive Pressure Specification. FCC Certified. ADA compliant levers
- Functions: Classroom function feature stainless steel latchbolt With 3/4” (1.91cm) projection and deadlocking latch Deadbolt function feature stainless steel deadbolt with 1” (2.55cm) projection, latchbolt with 3/4” (1.91cm) projection and deadlocking latch Deadbolt may be projected from key cylinder from outside door or turn-piece from inside door.
- Cylinder: 1 3/8” (3.5cm) mortise cylinder supplied. Will Accept 1 3/8” to 1 1/2” (3.5 – 3.82cm) mortise Cylinder. Classroom function supplied with straight Cam.
- Cams: Cams for other manufacturer’s cylinders are available See “Mortise Lock accessories” for part numbers & Manufacturers



**ALL DL2700CR/DB MORTISE LOCKS ARE WEATHER-RESISTANT  
PLEASE CHECK WITH FACTORY ON LEAD TIMES FOR SPECIAL FINISHES**

PRODUCT	FINISH	LIST PRICE
DL2700CRR Straight lever classroom Function right hand	26D	\$1,004.00
DL2700CRL Straight lever classroom Function left hand	26D	\$1,004.00
DL2700DBR Straight lever deadbolt Function right hand	26D	\$1,004.00
DL2700DBL Straight lever deadbolt Function left hand	26D	\$1,004.00
DL2775CRR Regal (curved) lever classroom Function right hand	26D	\$1,021.00
DL2775CRL Regal (curved) lever classroom Function Left Hand	26D	\$1,021.00
DL2775DBR Regal (curved) lever deadbolt Function right hand	26D	\$1,021.00
DL2775DBL Regal (curved) lever deadbolt Function left hand	26D	\$1,021.00





**Price Book 2017**

**NEW! EXPANDED TRILIGY T2 SERIES (con't)**

**DL2700CR/DB Parts**

<b>CLASSROOM FUNCTION CAMS</b>	<b>DESCRIPTION</b>	<b>LIST PRICE</b>
HW956-L	Alarm Lock Standard Straight Cam	\$5.00
HW956-M	Marks Straight Cam	\$5.00
HW956-C	Corbin-Russwin Straight Cam	\$5.00
HW956-S	Schlage Straight Cam	\$5.00
HW956-A	Arrow Straight Cam	\$5.00
HW956-R	Sargent Straight Cam	\$5.00
<b>DEADBOLT FUNCTION CAMS</b>		
HW957-L	Alarm Lock Standard Cloverleaf Cam	\$5.00
HW957-M	Marks Cloverleaf Cam	\$5.00
HW957-C	Corbin-Russwin Cloverleaf Cam	\$5.00
HW957-S	Schalge Cloverleaf Cam	\$5.00
HW957-A	Arrow Cloverleaf Cam	\$5.00
HW957-R	Sargent Cloverleaf Cam	\$5.00
HW1141	Schlage IC Cloverleaf Cam	\$5.00
HW904DBR	Right hand deadbolt lock body	\$171.00
HW903DBL	Left hand deadbolt lock body	\$171.00
HW870CRL	Left Hand Classroom lock body	\$171.00
HW875CRR	Right hand Classroom lock body	\$171.00
S6065	Replacement Battery Pack	\$38.00



## Price Book 2017

### NEW! ALARM LOCK TRILOGY T2 SERIES EXIT TRIM

Battery operated Trilogy T2 keyless access outside trim works with Marks M9900, Von Duprin 99, Corbin ED5000, Yale 7100, Dorma 9300, Arrow 3800, Sargent 8800, Precision 1100, 2100 & Cal Royal 9800, series panic devices. Holds up 100 user codes, 1 master, 10 manager codes and up to 3 one time user codes.

#### SPECIFICATIONS:

Cylinder:	Uses standard rim cylinder to operate key override function. Will accept 6 or 7 pin interchangeable core cylinders – see below.
Handing:	Non-handed
Power:	5 AA alkaline batteries (included) mounted on inside of door.
Keypad:	Weather-resistant all metal, 12 button. All functions Programmable through the keypad.



Crash bar not included

#### ALL ET SERIES LOCKS ARE WEATHER-RESISTANT PLEASE CHECK WITH FACTORY FOR LEAD TIMES ON SPECIAL FINISHES

PRODUCT	DESCRIPTION	LIST PRICE
ETDL27 series	26D	\$876.00
ETDL27 series	US3 & US10B	\$943.00
ETDL27 series w/Regal lever	26D	\$901.00
ETDL27 series w/Regal lever	US3 & US10B	\$969.00
<b>Specify finish on adapter kit</b>		
ET- AL Finish = 26D, US3 & US10B	Alarm Lock Standard Rim Cylinder Adapter kit (Schlage C keyway)	\$57.00
ET- AR Finish = 26D, US3 & US10B	Arrow Standard Rim Cylinder Adapter kit	\$57.00
ET- AS Finish = 26D, US3 & US10B	ASSA Standard Rim Cylinder Adapter kit	\$57.00
ET – C Finish = 26D, US3 & US10B	Corbin Standard Rim Cylinder Adapter kit	\$57.00
ET – M Finish = 26D, US3 & US10B	Medeco Standard Rim Cylinder Adapter kit	\$57.00
ET – R Finish = 26D, US3 & US10B	Sargent Standard Rim Cylinder Adapter kit	\$57.00
ET - S Finish = 26D, US3 & US10B	Schlage Standard Rim Cylinder Adapter kit	\$57.00
ET - Y Finish = 26D, US3 & US10B	Yale Standard Rim Cylinder Adapter kit	\$57.00
ET – ARIC Finish = 26, 26D, 3, 4, 5, 10B	Arrow IC 6 & 7 Pin Rim Cylinder Adapter kit	\$79.00
ET - BIC Finish = 26D, US3 & US10B	Best IC 6 & 7 Pin Rim Cylinder Adapter kit	\$79.00
ET - CIC Finish = 26D, US3 & US10B	Corbin IC Rim Cylinder Adapter kit	\$79.00
ET – MIC Finish = 26D, US3 & US10B	Medeco IC 6 & 7 Pin Rim Cylinder Adapter kit	\$79.00



**Price Book 2017**

**NEW! ALARM LOCK TRILOGY T2 SERIES EXIT TRIM (con't)**

<b>Product</b>	<b>Description</b>	<b>List Price</b>
ET - RIC Finish = 26D, US3 & US10B	Sargent IC Rim Cylinder Adapter kit	\$79.00
ET - SIC Finish = 26D, US3 & US10B	Schlage IC Rim Cylinder Adapter kit	\$79.00
ET - YIC Finish = 26D, US3 & US10B	Yale IC 6 Pin Rim Cylinder Adapter kit	\$79.00

**EXTENDED SPINDLES MUST BE PURCHASED SEPARATELY**

S6146 Extended Spindle and screws	Extend exit trim to fit 2 – 2 ¼” doors	\$112.00
S6147 Extended Spindle and screws	Extend exit trim to fit 3 – 4” doors	\$112.00
S6195 Extended Spindle and screws	Extend exit trim to fit 4 ¼ - 5” doors	\$112.00
SC544	Extended replacement screws with adjustable lengths (4 per unit)	\$21.00

**PLEASE SEE “HOW TO ORDER” CHART ON PAGE 46 TO PROPERLY ORDER YOUR TRILOGY EXIT TRIM.**

**IF YOU REQUIRE THE LOCK TO BE PREPPED FOR A THICKER DOOR, YOU MUST ORDER BASED ON THE SELECTIONS SHOWN. THE BASIC MODEL IS PREPPED FOR A 1 5/8” TO 1 7/8” DOOR.**

**\*\*\*\* PRECISION 2100 SERIES WILL WORK WITH THE VON DUPRIN 99 PREP. YOU MUST GET A MOUNTING PLATE PART # 2141208 FROM PRECISION\*\*\*\***



**Price Book 2017**

**HOW TO ORDER YOUR T2 TRILOGY EXIT LOCK**

Below is a “How to Order” guide for the Trilogy Exit Trim products. Please follow this guide when placing orders to avoid any delay in processing your order.

**All units are sold with a generic cylinder adapter installed. When you are using a specific brand of rim cylinder, you must purchase a Cylinder Adapter Kit from the chart below.**

**ETDL27S1G/26DV99**

**TYPE**  
DL27 – T2 series Exit Trim

**HANDLE**  
R-Regal  
S-Straight

**DOOR THICKNESS**  
1=1 3/4" + 1/8"  
**All units shipped with "1" option.**  
  
**For thicker door preps, you must order extended spindle and screw kit separately.**

**COMPATABLE PANIC DEVICES**  
V99 – VonDuprin 99(P21)  
C50 – Corbin ED5000 and  
Y71 - Yale 7100  
D93 – Dorma 9300  
A38 – Arrow 3800  
S88 – Old Style Sargent 8800  
NS8 – New Style Sargent 8888  
P11 - Precision 1100  
CR8 – Cal Royal 9800  
M99 - Marks 9900

G= generic rim  
Cylinder & adapter  
kit included in all  
locks

**FINISH**  
26D = satin chrome  
  
10B = duronodic

**Please note that Precision 2100 series will match up to the Von Duprin 99 series Trilogy. You must get a mounting plate #2141208 from Precision.**

**CYLINDER ADAPTER KITS**  
You must choose one of the cylinder adapter kits below if you are using a name brand cylinder in the lock.

ET - AL	- Alarm Lock standard (Schlage C keyway)
ET - BIC	- Best IC 6 & 7 pin
ET - S	- Schlage standard rim
ET - SIC	- Schlage IC
ET - R	- Sargent standard rim
ET - RIC	- Sargent IC
ET - Y	-Yale standard rim
ET - YIC	-Yale IC 6 pin
ET - C	- Corbin standard rim
ET - CIC	- Corbin IC
ET - M	- Medeco standard rim
ET - MIC	- Medeco IC 6 & 7 pin
ET - AR	- Arrow standard rim
ET - ARIC	- Arrow IC 6 & 7 pin
ET - AS	- ASSA standard rim



Price Book 2017

## TRILOGY ELECTRONIC DIGITAL LOCKS

**DL2800 SERIES – Electronic battery operated digital lock. Holds up to 200 codes, Master, Management, Supervisor & basic user. 150 event schedule, real time clock & 1,000 event audit trail.**

### SPECIFICATIONS:



Door Thickness: Fits 1 5/8" to 1 7/8". Other thickness, please consult factory  
 Backset: 2 3/4" (2 3/8" also available)  
 Strike: 1 1/8"x 2 3/4" T strike & 1 1/4" x 4 7/8"  
 ASA strike included  
 Latchbolt: UL Listed, fire rated 3 hours, 1/2" throw reversible  
 Hanging: Non-handed  
 Power: 5 AA alkaline batteries (included)  
 Keypad: All metal, 12 button. All functions programmed through keypad.  
 Door prep: Standard ANSI A115 Series prep, modified by adding additional through-bolt holes  
 Compliances: BHMA Certified Grade 1 heavy duty cylindrical lockset. UL listed, 10C Positive Pressure Specification. FCC Certified. ADA compliant levers  
 Cylinder: 6 pin solid brass, SC1 keyway, furnished with all key override locks. Schlage, Corbin-Russwin CL, Sargent 480 series, ASSA 65-611 & Lori cylinders can also be used with HW620 tailpiece (supplied)  
 Interchangeable Core Models: Standard model accepts 6 & 7 pin cylinders from Best, Falcon, Arrow, KSP, Medeco Keymark & Kaba Peaks. IC core models prepped for 6 & 7 pin Yale, Medeco, Sargent, Corbin-Russwin & Schlage are also available

**Extended sizes:**  
 Standard and SFIC cylinder preps can be extended for thicker doors.

**\$165.00 add on to list for extended lock.**

Extended lock legend:  
 W54 - 2 1/8"  
 W57 - 2 1/4"  
 W60 - 2 3/8"  
 W64 - 2 1/2"  
 W70 - 2 3/4"  
 W76 - 3"  
 W83 - 3 1/4"  
 W89 - 3 1/2"

Note: Locks can be adjusted by +/- 1/8" by adding or removing spacers.

**All DL2800 LOCKS ARE WEATHER-RESISTANT  
 PLEASE CHECK WITH FACTORY FOR LEAD TIMES  
 ON SPECIAL FINISHES AND IC PREPS**

PRODUCT	FINISH	LIST PRICE
DL2800	US26D	\$1,078.00
Standard key override	US3 & US10B	\$1,171.00
DL2875	US26D	\$1,102.00
Standard key override	US3 & US10B	\$1,188.00
Regal (curved) lever		
DL2800IC*	US26D	\$1,102.00
Interchangeable core	US3 & US10B	\$1,188.00
DL2875IC*	US26D	\$1,124.00
Interchangeable core	US3 & US10B	\$1,206.00
Regal (curved) lever		
DL2800SK	Mounted DL2800 demo	Call Factory
AL-DTMIII	Data Transfer Module	\$448.00
AL-PCI2	Computer interface cable for Serial connection includes DL-Windows Software	\$129.00
ALPCI2-U	USB computer interface cable includes DL-Windows software	\$237.00
MX1130	USB Converter	\$118.00
AL-IR1	Infrared Printer	\$520.00

\*Add "C" for Corbin, "M" for Medeco, "R" for Sargent, "Y" for Yale and "S" for Schlage to end of the part number for specially prepped IC core models. Add \$15.00 to the list price shown above. \*\*MUST SPECIFY 7 PIN FOR CORBIN AND YALE\*\*

## TRILOGY ELECTRONIC DIGITAL LOCKS

**DL3000 SERIES – Electronic battery operated digital lock. Holds up to 300 codes, Master, Management, Supervisor & basic user. 150 event schedule, real time clock & 1,600 event audit trail.**

**SPECIFICATIONS:**


Door Thickness: Fits 1 5/8" to 1 7/8". Other thickness, please consult factory

Backset: 2 3/4" (2 3/8" also available)

Strike: 1 1/8"x 2 3/4" T strike & 1 1/4" x 4 7/8" ASA strike included

Latchbolt: UL Listed, fire rated 3 hours, 1/2" throw reversible

Handing: Non-handed

Power: 5 AA alkaline batteries (included)

Keypad: All metal, 12 button. All functions programmed through keypad.

Door prep: Standard ANSI A115 Series prep, modified by adding additional through-bolt holes

Compliances: BHMA Certified Grade 1 heavy duty cylindrical lockset. UL listed 10C Positive Pressure Specification. FCC Certified . ADA compliant levers

Cylinder: 6 pin solid brass, SC1 keyway, furnished with all key override locks. Schlage, Corbin-Russwin CL, Sargent 480 series, ASSA 65-611 & Lori cylinders can also be used with HW620 tailpiece (supplied)

Interchangeable Core Models: Standard model accepts 6 & 7 pin cylinders from Best, Falcon, Arrow, KSP, Medeco Keymark & Kaba Peaks. IC core models prepped for 6 & 7 pin Yale, Medeco, Sargent, Corbin-Russwin & Schlage are also available.

**Extended sizes:**  
WP standard and SFIC cylinder preps can be extended for thicker doors.

**\$165.00 add on to list for extended lock.**

Extended lock legend:  
W54 - 2 1/8"  
W57 - 2 1/4"  
W60 - 2 3/8"  
W64 - 2 1/2"  
W70 - 2 3/4"  
W76 - 3"  
W83 - 3 1/4"  
W89 - 3 1/2"

Note: Locks can be adjusted by +/- 1/8" by adding or removing spacers.

**PLEASE CHECK WITH FACTORY FOR LEAD TIMES ON SPECIAL FINISHES AND IC PREPS  
SPECIFY "WP" FOR WEATHER RESISTENT MODEL**

PRODUCT	FINISH	LIST PRICE
DL3000	US26D	\$1,309.00
Standard key override	US3 & US10B	\$1,400.00
DL3075	US26D	\$1,303.00
Standard key override	US3 & US10B	\$1,378.00
Regal (curved) lever		
DL3000IC*	US26D	\$1,303.00
Interchangeable core	US3 & US10B	\$1,378.00
DL3075IC*	US26D	\$1,328.00
Interchangeable core	US3 & US10B	\$1,400.00
Regal (curved) lever		
DL3000WP	US26D	\$1,337.00
Weather proof key override	US3 & US10B	\$1,405.00
DL3075WP	US26D	\$1,360.00
Weather proof key override	US3 & US10B	\$1,405.00
Regal (curved) lever		
DL3000WPIC*	US26D	\$1,360.00
Weather proof interchangeable core	US3 & US10B	\$1,428.00
DL3075WPIC*	US26D	\$1,366.00
Weather proof interchangeable core	US3 & US10B	\$1,404.00
Regal (curved) lever		
DL3000SK	Mounted DL3000 demo	Call Factory
AL-DTMIII	Data Transfer Module	\$448.00
AL-PCI2	Computer interface cable for serial connection with DL-Windows Software	\$129.00
ALPCI2-U	USB computer interface cable includes DL-Windows software	\$237.00
MX1130	USB Converter	\$118.00
AL-IR1	Infra red Printer	\$520.00

\*Add "C" for Corbin, "M" for Medeco, "R" for Sargent, "Y" for Yale and "S" for Schlage to end of the part number for specially prepped IC core models. Add \$15.00 to the list price shown above\*\*MUST SPECIFY 7 PIN FOR CORBIN AND YALE\*\*

## TRILOGY ELECTRONIC DIGITAL LOCKS

**DL3200 SERIES – Electronic battery operated digital lock. Holds up to 2,000 codes, Master, Management, Supervisor & basic user. 500 event schedule, multiple “one-time” user codes & 40,000 event audit trail.**

**SPECIFICATIONS:**


Door Thickness: Fits 1 5/8” to 1 7/8”. Other thickness, please consult factory

Backset: 2 3/4” (2 3/8” also available)

Strike: 1 1/8”x 2 3/4” T strike & 1 1/4” x 4 7/8”  
ASA strike included

Latchbolt: UL Listed, fire rated 3 hours, 1/2” throw reversible

Handing: Non-handed

Power: 5 AA alkaline batteries (included)

Keypad: All metal, 12 button. All functions programmed through keypad.

Door prep: Standard ANSI A115 Series prep, modified by adding additional through-bolt holes

Compliances: BHMA Certified Grade 1 heavy duty cylindrical lockset.  
UL listed 10C Positive Pressure Specification. FCC Certified . ADA compliant levers

Cylinder: 6 pin solid brass, SCI keyway, furnished with all key override locks. Schlage, Corbin-Russwin CL, Sargent 480 series, ASSA 65-611 & Lori cylinders can also be used with HW620 tailpiece (supplied)

Interchangeable Core Models Standard model accepts 6 & 7 pin cylinders from Best, Falcon, Arrow, KSP, Medeco Keymark & Kaba Peaks. IC core models prepped for 6 & 7 pin Yale, Medeco, Sargent, Corbin-Russwin & Schlage are also available

**Extended sizes:**  
Standard and SFIC cylinder preps can be extended for thicker doors.

**\$165.00 add on to list for extended lock.**

Extended lock legend:  
W54 - 2 1/8"  
W57 - 2 1/4"  
W60 - 2 3/8"  
W64 - 2 1/2"  
W70 - 2 3/4"  
W76 - 3"  
W83 - 3 1/4"  
W89 - 3 1/2"

Note: Locks can be adjusted by +/- 1/8" by adding or removing spacers.

**ALL DL3200 LOCKS ARE WEATHER RESISTANT  
PLEASE CHECK WITH FACTORY FOR LEAD TIMES  
ON SPECIAL FINISHES AND IC PREPS**

PRODUCT	FINISH	LIST PRICE
DL3200	US26D	\$1,342.00
Standard key override	US3 & US10B	\$1,423.00
DL3275	US26D	\$1,371.00
Standard key override Regal (curved) lever	US3 & US10B	\$1,446.00
DL3200IC*	US26D	\$1,351.00
Interchangeable core	US3 & US10B	\$1,446.00
DL3275IC*	US26D	\$1,388.00
Interchangeable core Regal (curved) lever	US3 & US10B	\$1,457.00
DL3200SK	Mounted DL3200 demo	Call Factory
AL-DTMIII	Data Transfer Module	\$448.00
AL-PCI2	Computer interface cable for serial connection with DL-Windows Software	\$129.00
ALPCI2-U	USB computer interface cable includes DL-Windows software	\$237.00
MX1130	USB Converter	\$118.00
AL-IR1	Infrared Printer	\$520.00

\*Add “C” for Corbin, “M” for Medeco, “R” for Sargent, “Y” for Yale and “S” for Schlage to end of the part number for specially prepped IC core models. Add \$15.00 to the list price shown above \*\*MUST SPECIFY 7 PIN FOR CORBIN AND YALE\*\*

## TRILOGY ELECTRONIC DOUBLE SIDED DIGITAL LOCKS

**DL5300 SERIES** – Double sided electronic battery operated digital lock. Holds up to 2,000 codes, Master, Management, Supervisor & basic user. 500 event schedule, multiple “one-time” user codes & 40,000 event audit trail. Programmable keypad on both sides of the door. Only primary keypad has data transfer capability. Key override is only operable on the primary side. The key on the secondary side is used only to remove the lever and access the batteries.

**SPECIFICATIONS:**

Door Thickness: Fits 1 5/8” to 1 7/8”. Other thickness, please consult factory  
 Backset: 2 3/4” (2 3/8” also available)  
 Strike: 1 1/8”x 2 3/4” T strike & 1 1/4” x 4 7/8”  
           ASA strike included  
 Latchbolt: UL Listed, fire rated 3 hours, 1/2” throw reversible  
 Handing: Non-handed  
 Power: 5 AA alkaline batteries (included)  
 Keypad: All metal, 12 button. All functions programmed through keypad on both sides of  
 Door prep: Standard ANSI A115 Series prep, modified by adding additional through-bolt holes  
 Compliances: BHMA Certified Grade 1 heavy duty cylindrical lockset. UL listed 10C Positive Pressure Specification. FCC Certified . ADA compliant levers  
 Cylinder: 6 pin solid brass, SC1 keyway, furnished with all key override locks. Schlage, Corbin-Russwin CL, Sargent 480 series, ASSA 65-611 & Lori cylinders can also be used with HW620 tailpiece (supplied)  
 Interchangeable Core Models Standard model accepts 6 & 7 pin cylinders from Best, Falcon, and Arrow **only**.



**ALL DL5300 LOCKS ARE WEATHER RESISTANT  
 PLEASE CHECK WITH FACTORY FOR LEAD TIMES  
 ON SPECIAL FINISHES**

PRODUCT	FINISH	LIST PRICE
DL5300 Standard key override	US26D US3 & US10B	\$1,869.00 \$1,918.00
DL5375 Standard key override Regal (curved) lever	US26D US3 & US10B	\$1,884.00 \$1,952.00
DL5300IC Interchangeable core	US26D US3 & US10B	\$1,874.00 \$1,974.00
DL5375IC Interchangeable core Regal (curved) lever	US26D US3 & US10B	\$1,883.00 \$1,986.00
DL5300SK	Mounted DL5300 demo	Call Factory
AL-DTMIII	Data Transfer Module	\$448.00
AL-PCI2	Computer interface cable for serial connection with DL-Windows Software	\$129.00
ALPCI2-U	USB computer interface cable includes DL-Windows software	\$237.00
MX1130	USB Converter	\$118.00
AL-IR1	Infra red Printer	\$520.00

**Note: Key override operates latch on primary side only. Key override on secondary side protects the battery pack.**



**TRILOGY ELECTRONIC DIGITAL LOCKS  
WITH PRIVACY & RESIDENCY FEATURES**

**DL4100 SERIES - Electronic battery operated digital lock. Holds up to 2000 codes, Master, Management, Supervisor & basic user. Multiple "one-time" user codes. 500 event schedule, real time clock & 40,000 event audit trail. Privacy feature will lock out all users for programmed amount of time. Residency feature-allows exiting without having to lock the door.**

**SPECIFICATIONS:**



- Door Thickness: Fits 1 5/8" to 1 7/8". Other thickness, please consult factory
- Backset: 2 3/4" (2 3/8" also available)
- Strike: 1 1/8"x 2 3/4" T strike & 1 1/4" x 4 7/8"  
ASA strike included
- Latchbolt: UL Listed, fire rated 3 hours, 1/2" throw reversible
- Handing: Non-handed
- Power: 5 AA alkaline batteries (included)
- Keypad: Weatherproof all metal, 12 button. All functions programmed through keypad.
- Door prep: Standard ANSI A115 Series prep, modified by adding additional through-bolt holes
- Compliances: BHMA Certified Grade 1 heavy duty cylindrical lockset. UL listed 10C Positive Pressure Specification. FCC Certified . ADA compliant levers
- Cylinder: 6 pin solid brass, SC1 keyway, furnished with all key override locks. Schlage, Corbin-Russwin CL, Sargent 480 series, ASSA 65-611 & Lori cylinders can also be used with HW620 tailpiece (supplied)  
Interchangeable Core Models:  
Standard model accepts 6 & 7 pin cylinders from Best, Falcon, Arrow, KSP, Medeco Keymark & Kaba Peaks.  
IC core models prepped for **6 and 7 pin** Yale, Medeco, Sargent, Corbin-Russwin & Schlage are also available

**Extended sizes:**  
Standard and SFIC cylinder preps can be extended for thicker doors.

**\$165.00 add on to list for extended lock.**

Extended lock legend:  
W54 - 2 1/8"  
W57 - 2 1/4"  
W60 - 2 3/8"  
W64 - 2 1/2"  
W70 - 2 3/4"  
W76 - 3"  
W83 - 3 1/4"  
W89 - 3 1/2"

Note: Locks can be adjusted by +/- 1/8" by adding or removing spacers.

**ALL DL4100 LOCKS ARE WEATHER RESISTANT  
PLEASE CHECK WITH FACTORY FOR LEAD TIMES  
ON SPECIAL FINISHES AND IC PREPS**

PRODUCT	FINISH	LIST PRICE
DL4100	US26D	\$1,026.00
Standard key override	US3 & US10B	\$1,096.00
DL4175	US26D	\$1,050.00
Standard key override w/Regal (curved) lever	US3 & US10B	\$1,119.00
DL4100IC*	US26D	\$1,050.00
Interchangeable core prepped for Best®	US3 & US10B	\$1,119.00
DL4175IC*	US26D	\$1,067.00
Interchangeable core prepped for Best® W/Regal (curved) lever	US3 & US10B	\$1,142.00
DL4100SK	Mounted DL4100 Demo	Call Factory
AL-PCI2	Computer interface cable for serial connection includes DL-Windows software	\$129.00
ALPCI2-U	USB computer interface cable includes DL-Windows software	\$237.00
MX1130	USB Converter	\$118.00
AL-IR1	Infra-red Printer	\$520.00
AL-DTMIII	Data Transfer Module	\$448.00

\*Add "C" for Corbin, "M" for Medeco, "R" for Sargent, "Y" for Yale and "S" for Schlage to end of the part number for specially prepped IC core models. Add \$15.00 to the list price shown above.

**Price Book 2017**
**TRILOGY ELECTRONIC DIGITAL PROXIMITY LOCKS**

**PDL3000 SERIES - Electronic battery operated digital proximity lock. Holds up to 2000 codes, Master, Management, Supervisor & basic user. Multiple "one-time" user codes. 500 event schedule, real time clock & 40,000 event audit trail. Will read most HID card and keyfob formats.**

**SPECIFICATIONS:**

Door Thickness: Fits 1 5/8" to 1 7/8". Other thickness, please consult factory

Backset: 2 3/4" (2 3/8" also available)

Strike: 1 1/8" x 2 3/4" T strike & 1 1/4" x 4 7/8"  
ASA strike included

Latchbolt: UL Listed, fire rated 3 hours, 1/2" throw reversible

Handing: Non-handed

Power: 5 AA alkaline batteries (included)

Keypad: Weatherproof all metal, 12 button. All functions programmed through keypad. Proximity antenna housing molded of ultra high strength, impact resistant Lexan®

Door prep: Standard ANSI A115 Series prep, modified by adding additional through-bolt holes

Compliances: BHMA Certified Grade 1 heavy duty cylindrical lockset. UL listed 10C Positive Pressure Specification. FCC Certified . ADA compliant levers

Cylinder: 6 pin solid brass, SC1 keyway, furnished with all key override locks. Schlage, Corbin-Russwin CL, Sargent 480 series, ASSA 65-611 & Lori cylinders can also be used with HW620 tailpiece (supplied)

Interchangeable Core Models Standard model accepts 6 & 7 pin cylinders from Best, Falcon, Arrow, KSP, Medeco Keymark & Kaba Peaks. IC core models prepped for **6 and 7 pin** Yale, Medeco, Sargent, Corbin-Russwin & Schlage are also available



**Extended sizes:**  
Standard and SFIC cylinder preps can be extended for thicker doors.

**\$165.00 add on to list for extended lock.**

Extended lock legend:

W54 - 2 1/8"  
W57 - 2 1/4"  
W60 - 2 3/8"  
W64 - 2 1/2"  
W70 - 2 3/4"  
W76 - 3"  
W83 - 3 1/4"  
W89 - 3 1/2"

Note: Locks can be adjusted by +/- 1/8" by adding or removing spacers.

**ALL PDL3000 LOCKS ARE WEATHER RESISTANT  
PLEASE CHECK WITH FACTORY FOR LEAD TIMES  
ON SPECIAL FINISHES AND IC PREPS**

PRODUCT	FINISH	LIST PRICE
PDL3000K	US26D	\$1,861.00
Key override audit trail	US10B	\$1,927.00
PDL3000	US26D	\$1,836.00
Standard key override	US3 & US10B	\$1,916.00
PDL3075	US26D	\$1,866.00
Standard key override	US3 & US10B	\$1,939.00
Regal (curved) lever	US26D	\$1,866.00
PDL3000IC*	US3 & US10B	\$1,939.00
Interchangeable core	US26D	\$1,886.00
PDL3075IC*	US3 & US10B	\$1,939.00
Interchangeable core	US26D	\$1,886.00
Regal (curved) lever	US3 & US10B	\$1,939.00
PDL3000SKLE	Mounted PDL3000 demo	Call Factory
AL-PCI2	Computer interface cable for serial Connection includes DL-Windows Software	\$129.00
ALPCI2-U	USB computer interface cable includes DL-Windows software	\$237.00
MX1130	USB Converter	\$118.00
AL-IR1	Infra-red Printer	\$520.00
AL-DTMIII	Data Transfer Module	\$448.00
AL-PRE	Prox Card Enroller	\$590.00
ALHID1326	Proximity Access Cards 100 Per Box	\$505.00
ALHID1336	Proximity, Magnetic Stripe and Photo ID cards 100 per box	\$1,030.00
ALHID1386	Proximity and Photo ID Card 100 per box	\$927.00
ALHID1391	MicroProx Tag 10 per box	\$ 80.00
ALHID1346	Proximity keyfob 10 per box	\$118.00

\*Add "C" for Corbin, "M" for Medeco, "R" for Sargent, "Y" for Yale and "S" for Schlage to end of the part number for specially prepped IC core models. Add \$15.00 to the list price shown above. \*\*MUST SPECIFY 7 PIN FOR CORBIN AND YALE\*\*



**Price Book 2017**

**TRILOGY ELECTRONIC DOUBLE SIDED DIGITAL PROXIMITY LOCKS**

**PDL5300 SERIES – Double sided electronic battery operated digital proximity lock. Holds up to 2000 codes, Master, Management, Supervisor & basic user. Multiple “one-time” user codes. 500 event schedule, 40,000 event audit trail. Programmable keypad on both sides of the door. Only primary keypad has data transfer capability Will read most HID card and keyfob formats. Key override is only operable on the primary side. The key on the secondary side is use only to remove the lever and access the batteries.**

**SPECIFICATIONS:**

Door Thickness: Fits 1 5/8” to 1 7/8”. Other thickness, please consult factory  
 Backset: 2 3/4” (2 3/8” also available)  
 Strike: 1 1/8”x 2 3/4” T strike & 1 1/4” x 4 7/8” ASA strike included  
 Latchbolt: UL Listed, fire rated 3 hours, 1/2” throw reversible  
 Handing: Non-handed  
 Power: 5 AA alkaline batteries (included)  
 Keypad: Weatherproof all metal, 12 button. All functions programmed through keypad. Proximity antenna housing molded of ultra high strength, impact resistant Lexan®  
 Door prep: Standard ANSI A115 Series prep, modified by adding additional through-bolt holes  
 Compliances: BHMA Certified Grade 1 heavy duty cylindrical lockset. UL listed 10C Positive Pressure Specification. FCC Certified . ADA compliant levers  
 Cylinder: 6 pin solid brass, SC1 keyway, furnished with all key override locks. Schlage, Corbin-Russwin CL, Sargent 480 series, ASSA 65-611 & Lori cylinders can also be used with HW620 tailpiece (supplied)  
 Interchangeable Core Models Standard model accepts 6 & 7 pin cylinders from Best, Falcon, and Arrow.



**ALL PDL5300 LOCKS ARE WEATHER RESISTANT  
 PLEASE CHECK WITH FACTORY FOR LEAD TIMES  
 ON SPECIAL FINISHES**

PRODUCT	FINISH	LIST PRICE
PDL5300 Standard key override	US26D US3 & US10B	\$2,228.00 \$2,295.00
PDL5375 Standard key override Regal (curved) lever	US26D US3 & US10B	\$2,251.00 \$2,324.00
PDL5300IC Interchangeable core	US26D US3 & US10B	\$2,245.00 \$2,287.00
PDL5375IC Interchangeable core Regal (curved) lever	US26D US3 & US10B	\$2,273.00 \$2,314.00
PDL5300SK	Mounted PDL3000 demo	Call Factory
AL-PCI2	Computer interface cable for serial Connection includes DL-Windows	\$129.00
ALPCI2-U	USB computer interface cable includes DL-Windows software	\$237.00
MX1130	USB Converter	\$118.00
AL-IR1	Infra-red Printer	\$520.00
AL-DTMIII	Data Transfer Module	\$448.00
AL-PRE	Prox Card Enroller	\$590.00
ALHID1326	Proximity Access Cards 100 Per Box	\$505.00
ALHID1336	Proximity, Magnetic Stripe and Photo ID cards 100 per box	\$1,030.00
ALHID1386	Proximity and Photo ID Card 100 per box	\$927.00
ALHID1391	MicroProx Tag 10 per box	\$82.00
ALHID1346	Proximity keyfob 10 per box	\$118.00

**Note: Key override operates latch on primary side only. Key override on secondary side protects the battery pack.**



Price Book 2017

## TRILOGY ELECTRONIC DIGITAL PROXIMITY LOCKS

**PL3000 SERIES - Electronic battery operated proximity only lock. Holds up to 2000 codes, Master, Management, Supervisor & basic user. Multiple "one-time" user codes. 500 event schedule, real time clock & 40,000 event audit trail. Will read most HID card and keyfob formats.**

**SPECIFICATIONS:**



Door Thickness: Fits 1 5/8" to 1 7/8". Other thickness, please consult factory  
 Backset: 2 3/4" (2 3/8" also available)  
 Strike: 1 1/8" x 2 3/4" T strike & 1 1/4" x 4 7/8" ASA strike included  
 Latchbolt: UL Listed, fire rated 3 hours, 1/2" throw reversible  
 Handing: Non-handed  
 Power: 5 AA alkaline batteries (included)  
 Programming: 9 prox programming cards included  
 Door prep: Standard ANSI A115 Series prep, modified by adding additional through-bolt holes  
 Compliances: BHMA certified Grade 1 heavy duty cylindrical lockset. UL listed to the 10C Positive Pressure Specification. FCC Certified. ADA compliant levers  
 Cylinder: 6 pin solid brass, SC1 keyway, furnished with all key override locks. Schlage, Corbin-Russwin CL, Sargent 480 series, ASSA 65-611 & Lori cylinders can also be used with HW620 tailpiece (supplied)  
 Interchangeable Core Models: Standard model accepts 6 & 7 pin cylinders from Best, Falcon, Arrow, KSP, Medeco Keymark & Kaba Peaks. IC core models prepped for **6 and 7 pin** Yale, Medeco, Sargent, Corbin-Russwin & Schlage are also available

**Extended sizes:**  
 Standard and SFIC cylinder preps can be extended for thicker doors.  
**\$165.00 add on to list for extended lock.**  
 Extended lock legend:  
 W54 - 2 1/8"  
 W57 - 2 1/4"  
 W60 - 2 3/8"  
 W64 - 2 1/2"  
 W70 - 2 3/4"  
 W76 - 3"  
 W83 - 3 1/4"  
 W89 - 3 1/2"  
 Note: Locks can be adjusted by +/- 1/8" by adding or removing spacers.

**ALL PL3000 PROXIMITY LOCKS ARE WEATHER-RESISTANT  
 PLEASE CHECK WITH FACTORY FOR LEAD TIMES  
 ON SPECIAL FINISHES AND IC PREPS**

PRODUCT	FINISH	LIST PRICE
PL3000	US26D	\$1,836.00
Standard key override	US3 & US10B	\$1,916.00
PL3075	US26D	\$1,866.00
Standard key override	US3 & US10B	\$1,939.00
Regal (curved) lever		
PL3000IC*	US26D	\$1,866.00
Interchangeable core	US3 & US10B	\$1,939.00
PL3075IC*	US26D	\$1,886.00
Interchangeable core	US3 & US10B	\$1,939.00
Regal (curved) lever		
PL3000SK	Mounted PL3000 Demo	Call Factory
AL-PCI2	Computer interface cable for serial connection includes DL-Windows software	\$129.00
ALPCI2-U	USB computer interface cable includes DL-Windows software	\$237.00
MX1130	USB Converter	\$118.00
AL-IR1	Infra-red Printer	\$520.00
AL-DTMIII	Data Transfer Module	\$448.00
AL-PRE	Prox Card Enroller	\$590.00
ALHID1326	Proximity Access Cards 100 Per Box	\$505.00
ALHID1336	Proximity, Magnetic Stripe and Photo ID cards 100 per box	\$1,030.00
ALHID1386	Proximity and Photo ID Card 100 per box	\$927.00
ALHID1391	MicroProx Tag 10 per box	\$82.00
ALHID1346	Proximity keyfob 10 per box	\$118.00

\*Add "C" for Corbin, "M" for Medeco, "R" for Sargent, "Y" for Yale and "S" for Schlage to end of the part number for specially prepped IC core models. Add \$15.00 to the list price shown above. \*\*MUST SPECIFY 7 PIN FOR CORBIN AND YALE\*\*

## TRILOGY ELECTRONIC DIGITAL PROXIMITY LOCKS WITH PRIVACY & RESIDENCY FEATURES

**PDL4100 SERIES** - Electronic battery operated digital proximity lock. Holds up to 2000 codes, Master, Management, Supervisor & basic user. Multiple "one-time" user codes. 500 event schedule, real time clock & 40,000 event audit trail. Will read most HID card and keyfob formats. Privacy feature will lock out all users for a programmed amount of time. Residency feature-allows exiting without having to lock the door.

**SPECIFICATIONS:**

- Door Thickness: Fits 1 5/8" to 1 7/8". Other thickness, please consult factory
- Backset: 2 3/4" (2 3/8" also available)
- Strike: 1 1/8"x 2 3/4" T strike & 1 1/4" x 4 7/8"  
ASA strike included
- Latchbolt: UL Listed, fire rated 3 hours, 1/2" throw reversible
- Handing: Non-handed
- Power: 5 AA alkaline batteries (included)
- Keypad: Weatherproof all metal, 12 button. All functions programmed through keypad. Proximity antenna housing molded of ultra high strength, impact resistant Lexan®
- Door prep: Standard ANSI A115 Series prep, modified by adding additional through-bolt holes
- Compliances: BHMA certified Grade 1 heavy duty cylindrical lockset. UL listed to the 10C Positive Pressure Specification. FCC certified . ADA compliant levers
- Cylinder: 6 pin solid brass, SC1 keyway, furnished with all key override locks. Schlage, Corbin-Russwin CL, Sargent 480 series, ASSA 65-611 & Lori cylinders can also be used with HW620 tailpiece (supplied)
- Interchangeable Core Models: Standard model accepts 6 & 7 pin cylinders from Best, Falcon, Arrow, KSP, Medeco Keymark & Kaba Peaks.  
IC core models prepped for **6 pin and 7 pin** Yale, Medeco, Sargent, Corbin-Russwin & Schlage are also available

**ALL PDL4100 LOCKS ARE WEATHER-RESISTANT  
PLEASE CHECK WITH FACTORY FOR LEAD TIMES  
ON SPECIAL FINISHES AND IC PREPS**

**Extended sizes:**  
Standard and SFIC cylinder preps can be extended for thicker doors.

**\$165.00 add on to list for extended lock.**

Extended lock legend:  
W54 - 2 1/8"  
W57 - 2 1/4"  
W60 - 2 3/8"  
W64 - 2 1/2"  
W70 - 2 3/4"  
W76 - 3"  
W83 - 3 1/4"  
W89 - 3 1/2"

Note: Locks can be adjusted by +/- 1/8" by adding or removing spacers.



PRODUCT	FINISH	LIST PRICE
PDL4100	US26D	\$1,492.00
	US3 & US10B	\$1,578.00
PDL4175	US26D	\$1,508.00
	US3 & US10B	\$1,612.00
PDL4100IC*	US26D	\$1,508.00
	US3 & US10B	\$1,612.00
PDL4175IC*	US26D	\$1,543.00
	US3 & US10B	\$1,612.00
PDL4100SK	Mounted PDL4100 demo	Call Factory
AL-PCI2	Computer interface cable for serial connection Includes DL-Windows	\$129.00
ALPCI2-U	USB computer interface cable includes DL-Windows software	\$237.00
MX1130	USB Converter	\$118.00
AL-IR1	Infra-red Printer	\$520.00
AL-DTMIII	Data Transfer Module	\$448.00
AL-PRE	Prox Card Enroller	\$590.00
ALHID1326	Proximity Access Cards 100 Per Box	\$505.00
ALHID1336	Proximity, Magnetic Stripe and Photo ID cards 100 per box	\$1,030.00
	Proximity and Photo ID Card 100 per box	\$927.00
ALHID1386	Proximity and Photo ID Card 100 per box	\$927.00
ALHID1391	MicroProx Tag 10 per box	\$82.00
ALHID1346	Proximity keyfob 10 per box	\$118.00

\*Add "C" for Corbin, "M" for Medeco, "R" for Sargent, "Y" for Yale and "S" for Schlage to end of the part number for specially prepped IC core models. Add \$15.00 to the list price shown above. \*\*MUST SPECIFY 7 PIN FOR CORBIN AND YALE\*\*



## TRILOGY CYLINDRICAL LOCK PARTS

Part Number	Description	List Price
S6054	Complete Outside housing for DL2700WP available finishes 26D, 3, & 10B	\$358.00
S6126	Complete outside housing for DL2800WP available finishes 26D, 3, & 10B	\$457.00
S6047	Complete outside housing for DL3000WP available finishes 26D, 3, & 10B	\$696.00
S6122	Complete outside housing for PDL3000 available finishes 26D, 3, & 10B	\$1,087.00
S6163	Complete outside housing for DL4100 available finishes 26D, 3, & 10B	\$524.00
S6164	Complete outside housing for PDL4100 available finishes 26D, 3, & 10B	\$893.00
S6045	Standard key override lock body complete	\$326.00
S6046	Best prep interchangeable core lock body complete	\$326.00
S6045-C/R	Corbin/Sargent prep interchangeable core lock body complete	\$358.00
S6045-Y/M	Yale/Medeco prep interchangeable core lock body complete	\$358.00
S6045-S	Schlage prep interchangeable core lock body complete	\$358.00
HW614C	Outside lever standard prep available finishes 26D, 3, & 10B	\$37.00
HW616C	Outside lever Best IC prep available finishes 26D, 3, & 10B	\$37.00
HW615D	Inside lever for all cylindrical locks available finishes 26D, 3, & 10B	\$37.00
HW592G	Battery Cover available finishes 26D, 3, & 10B	\$21.00
P5849	Latch bolt 2 3/4" available finishes 26D, 3, & 10B	\$26.00
S5980-1	Latch bolt 2 3/8" 26D finish	\$26.00
S5980-2	Latch bolt 2 3/8" US5 finish	\$26.00
HW470	4 7/8" strike available 26D, 3, & 10B	\$15.00
HW577	2 3/4" strike available finishes 26D, 3, & 10B	\$16.00
HW596F	Standard cylinder w/2 keys available finishes 26D, 3, & 10B	\$26.00
S6148	Lever return spring	\$5.00
S6061	Replacement battery pack cylindrical	\$47.00
S6172	Replacement battery pack Double sided	\$30.00
HW580	Schlage® key override tailpiece for Cylindrical locks	\$11.00
HW620D	Lori® key override tailpiece for Cylindrical locks	\$11.00
HW597E	Alarm Lock cylindrical key override tailpiece	\$11.00
HW598D	Cylindrical Interchangeable core Tailpiece Best prep	\$11.00
S6070	IC tailpiece bag assembly w/washer Specify for the following: S – Schalge, B – Best, R – Sargent, M – Medeco, Y – Yale, C – Corbin	\$16.00
MX942	Replacement DTM cable	\$20.00



**Price Book 2017**

**TRILOGY CYLINDRICAL LOCK PARTS (con't)**

Part Number	Description	List Price
WA160C	Washer used on HW620, HW597C & HW598D	\$3.00
S6072	Set of spacers for doors 1 3/8" or less	\$70.00
CW-27AB	Wrap around plate in US5	\$65.00
CW-27PB	Wrap around plate in US3	\$70.00
CW-27S	Wrap around plate US32D	\$70.00
DL2700DJ	Drilling Jig for cylindrical locks	\$405.00

**TRILOGY LOCK ACCESSORIES**

AL-PCI2	Computer interface cable for serial Connection includes DL-Windows Software	\$129.00
ALPCI2-U	USB computer interface cable includes DL-Windows software	\$237.00
MX1130	USB Converter	\$118.00
AL-IR1	Infra-red Printer	\$520.00
AL-DTMIII	Data Transfer Module	\$448.00
AL-PRE	Prox Card Enroller	\$590.00
ALHID1326	Proximity Access Cards 100 Per Box	\$505.00
ALHID1336	Proximity, Magnetic Stripe and Photo ID cards 100 per box	\$1,030.00
ALHID1386	Proximity and Photo ID Card 100 per box	\$927.00
ALHID1391	MicroProx Tag 10 per box	\$82.00
ALHID1346	Proximity keyfob 10 per box	\$118.00
ALTRAINDVD	Trilogy DL-Windows and Networx Connectivity software training videos divided into 4 easy to follow sections conducted into a classroom style environment. Training videos cover basics, getting started, schedules and times zones, programming Trilogy locks via a laptop and the DTM along with how to connect and bring Networx on line.	\$0.00 + \$15.95 shipping and handling charge. Please contact customer service at 1-800-ALA-LOCK to place your order via credit card, or email sales@alarmlock.com



**Price Book 2017**

**TRILOGY & NETWORX REMOTE RELEASE PRODUCTS**



PRODUCT	DESCRIPTION	LIST PRICE
RR-TRILOGYKIT	Remote release kit for all Trilogy Cylindrical models includes the RR-1BUTTON for desk mount applications and RR-RECEIVER which is designed to be installed inside the battery compartment next to the battery pack of any cylindrical Trilogy lock. The RR-RECEIVER connects to the 2 white remote release wires inside the battery compartment and to the black and red battery pack wires to power the receiver. These kits will retro fit to any existing cylindrical Trilogy manufactured since 1994.	\$221.00
RR-RECEIVER	RR-RECEIVER is designed to be installed next to the battery pack of any cylindrical Trilogy lock. The RR-RECEIVER connects to the 2 white remote release wires and to the black and red battery pack wires and will retro fit to any existing cylindrical Trilogy manufactured since 1994. You will need to purchase separately either an RR-1BUTTON OR 4BKEYFOB to activate the receiver	\$128.00
RR-1BUTTON	Remote release desk mounted button designed to be used with any existing Networx lock enrolled with a simple keypad program. Must update the firmware of your existing Networx Lock. Also can be used with an RR-RECEIVER to any existing Trilogy Cylindrical Lock, RR-RECEIVER sold separately.	\$92.00
RR-4BKEYFOB	Remote release 4 button key fob designed to be used with any existing Networx lock enrolled with a simple keypad program. Must update the firmware of your existing Networx Lock. Also can be used with an RR-RECEIVER to any existing Trilogy Cylindrical Lock, RR-RECEIVER sold separately.	\$103.00
RR-MORTISEKIT RR-EXITTRIMKIT	Remote release kit for Mortise Locks Remote release kit for Exit Trim Locks *Both include RR-1BUTTON and RECEIVER mounted on a Lexan battery cover.*	\$242.00 \$242.00

**Note: The Remote Release Products follow the Networx Discount Structure. Will not work with Narrow Stile series locksets.**





Price Book 2017

## TRILOGY ELECTRONIC DIGITAL MORTISE LOCKS

**DL3500 SERIES - Electronic battery operated digital mortise lock. Holds up to 300 codes, Master, Management, Supervisor & basic user. 500 event schedule, real time clock & 40,000 event audit trail.**

**SPECIFICATIONS:**

Door Thickness: Fits 1 3/8" to 1 7/8" (4.46cm).  
 Backset: 2 3/4" standard  
 Strike: 1 1/4" x 4 7/8" strike included  
 Handing: Specify RH or LH when ordering, lock is reversible  
 In the field  
 Power: 5 AA alkaline batteries (included)  
 Keypad: All metal, 12 button. All functions programmed through keypad.  
 Door prep: Standard ANSI A115 Mortise prep, modified by adding additional through-bolt holes  
 Compliances: Steelcase lock body meets BHMA specifications For Grade 1 locks. UL listed to the 10C Positive Pressure Specification. FCC Certified. ADA compliant levers  
 Functions: Classroom function feature stainless steel latchbolt With 3/4" (1.91cm) projection and deadlocking latch Deadbolt function feature stainless steel deadbolt with 1" (2.55cm) projection, latchbolt with 3/4" (1.91cm) projection and deadlocking latch Deadbolt may be projected from key cylinder from outside door or turn-piece from inside door  
 Cylinder: 1 3/8" (3.5cm) mortise cylinder supplied. Will Accept 1 3/8" to 1 1/2" (3.5 – 3.82cm) mortise Cylinder. Classroom function supplied with straight Cam and deadbolt function supplied with cloverleaf Cam  
 Cams: Cams for other manufacturer's cylinders are available See "Mortise Lock accessories" for part numbers & Manufacturers



**ALL DL3500 MORTISE LOCKS ARE WEATHER-RESISTANT  
 PLEASE CHECK WITH FACTORY ON LEAD TIMES FOR SPECIAL FINISHES**

PRODUCT	FINISH	LIST PRICE
DL3500CRR Straight lever classroom function Right hand	US26D US3 & US10B	\$1,516.00 \$1,590.00
DL3500CRL Straight lever classroom function Left Hand	US26D US3 & US10B	\$1,516.00 \$1,590.00
DL3500DBR Straight lever deadbolt function Right hand	US26D US3 & US10B	\$1,516.00 \$1,590.00
DL3500DBL Straight lever deadbolt function Left Hand	US26D US3 & US10B	\$1,516.00 \$1,590.00
DL3575CRR Regal (curved) lever classroom Function right hand	US26D US3 & US10B	\$1,532.00 \$1,606.00
DL3575CRL Regal (curved) lever classroom Function left hand	US26D US3 & US10B	\$1,532.00 \$1,606.00
DL3575DBR Regal (curved) lever deadbolt Function right hand	US26D US3 & US10B	\$1,532.00 \$1,606.00
DL3575DBL Regal (curved) lever deadbolt Function left hand	US26D US3 & US10B	\$1,532.00 \$1,606.00



**TRILOGY ELECTRONIC DIGITAL MORTISE LOCKS (con't)**

PRODUCT	DESCRIPTION	LIST PRICE
DL3500SK	Mounted sales kit, straight lever. Available in classroom or deadbolt function.	Call Factory
AL-DTMIII	Data Transfer Module	\$448.00
AL-PCI2	Computer interface cable for serial connection includes DL-Windows software	\$129.00
ALPCI2-U	USB computer interface cable includes DL-Windows software	\$237.00
MX1130	USB Converter	\$118.00
AL-IR1	Infra red Printer	\$520.00
ALTRAINDVD	Trilogy DL-Windows and Networx Connectivity software training videos divided into 4 easy to follow sections conducted into a classroom style environment. Training videos cover basics, getting started, schedules and times zones, programming Trilogy locks via a laptop and the DTM along with how to connect and bring Networx on line.	\$0.00 + \$15.95 shipping and handling charge. Please contact customer service at 1-800-ALA-LOCK to place your order via credit card, or email sales@alarmlock.com

**MORTISE LOCK PARTS**

CLASSROOM FUNCTION CAMS	DESCRIPTION	LIST PRICE
HW956-L	Alarm Lock Standard Straight Cam	\$5.00
HW956-M	Marks Straight Cam	\$5.00
HW956-C	Corbin-Russwin Straight Cam	\$5.00
HW956-S	Schlage Straight Cam	\$5.00
HW956-A	Arrow Straight Cam	\$5.00
HW956-R	Sargent Straight Cam	\$5.00
DEADBOLT FUNCTION CAMS		
HW957-L	Alarm Lock Standard Cloverleaf Cam	\$5.00
HW957-M	Marks Cloverleaf Cam	\$5.00
HW957-C	Corbin-Russwin Cloverleaf Cam	\$5.00
HW957-S	Schlage Cloverleaf Cam	\$5.00
HW957-A	Arrow Cloverleaf Cam	\$5.00
HW957-R	Sargent Cloverleaf Cam	\$5.00
HW1141	Schlage IC Cloverleaf Cam	\$5.00

S6123	DL3500 complete outside housing available in 26D, US3 & US10B	\$1,008.00
S6175	Replacement lever support spring	\$3.00
S6192	Lever and spring upgrade kit Standard lever – 26D, 10B, US3	\$54.00
S6193	Lever and spring upgrade kit Regal lever – 26D, 10B, US3	\$80.00
HW904DBR	Right hand deadbolt lock body	\$171.00
HW903DBL	Left hand deadbolt lock body	\$171.00
HW870CRL	Left Hand Classroom lock body	\$171.00
HW875CRR	Right hand Classroom lock body	\$171.00
S6065	Replacement Battery Pack	\$38.00



Price Book 2017

## TRILOGY ELECTRONIC DIGITAL MORTISE LOCKS WITH PRIVACY & RESIDENCY FEATURES

**DL4500 SERIES - Electronic battery operated digital proximity lock. Holds up to 2000 codes, Master, Management, Supervisor & basic user. 500 event schedule, real time clock & 40,000 event audit trail. Privacy feature will lock out all users for programmed amount of time. Residency feature-allows exiting without having to lock the door.**

**SPECIFICATIONS:**

Door Thickness: Fits 1 3/8" to 1 7/8" (4.46cm).  
 Backset: 2 3/4" standard  
 Strike: 1 1/4" x 4 7/8" strike included  
 Handing: Specify RH or LH when ordering, lock is reversible  
 In the field  
 Power: 5 AA alkaline batteries (included)  
 Keypad: All metal, 12 button. All functions programmed through keypad.  
 Door prep: Standard ANSI A115 Mortise prep, modified by adding additional through-bolt holes  
 Compliances: Steelcase lockbody meets BHMA specifications For Grade 1 locks. UL listed to the 10C Positive Pressure Specification. FCC Certified. ADA compliant levers  
 Functions: Deadbolt function feature stainless steel deadbolt with 1" (2.55cm) projection, latchbolt with 3/4" (1.91cm) projection and deadlocking latch Deadbolt may be projected from key cylinder from outside door or turn-piece from inside door  
 Cylinder: 1 3/8" (3.5cm) mortise cylinder supplied. Will Accept 1 3/8" to 1 1/2" (3.5 – 3.82cm) mortise Cylinder. Deadbolt function supplied with cloverleaf Cam  
 Cams: Cams for other manufacturer's cylinders are available See "Mortise Lock accessories" for part numbers & Manufacturers



**ALL DL4500 LOCKS ARE WEATHER-RESISTANT  
PLEASE CHECK WITH FACTORY FOR LEAD TIMES ON SPECIAL FINISHES**

PRODUCT	FINISH	LIST PRICE
DL4500DBR Straight lever deadbolt function Right hand	US26D US3 & US10B	\$1,142.00 \$1,216.00
DL4500DBL Straight lever deadbolt function Left Hand	US26D US3 & US10B	\$1,142.00 \$1,216.00
DL4575DBR Regal (curved) lever deadbolt Function right hand	US26D US3 & US10B	\$1,164.00 \$1,233.00
DL4575DBL Regal (curved) lever deadbolt Function left hand	US26D US3 & US10B	\$1,164.00 \$1,233.00
AL-PC12	Computer interface cable for serial connection includes DL-Windows software	\$129.00
ALPC12-U	Computer interface cable for serial and USB computer interface cable includes DL-Windows software	\$237.00
MX1130	USB Converter	\$118.00
AL-IR1	Infra-red Printer	\$520.00
AL-DTMIII	Data Transfer Module	\$448.00
DL4500SK	Mounted DL4500 Demo	Call Factory



Price Book 2017

## TRILOGY ELECTRONIC PROXIMITY MORTISE LOCKS

**PDL3500/PL3500 - Electronic battery operated digital mortise lock. Holds up to 2000 user codes, Master, Management, Supervisor & basic user. 500 scheduled events, real time clock & 40,000 event audit trail. Will read most HID card and keyfob formats.**

### SPECIFICATIONS:

Door Thickness:	Fits 1 3/8" to 1 7/8" (4.46cm).
Backset:	2 3/4" standard
Strike:	1 1/4" x 4 7/8" strike included
Handing:	Specify RH or LH when ordering, lock is reversible In the field
Power:	5 AA alkaline batteries (included)
Keypad:	Weatherproof all metal, 12 button. All functions programmed through keypad. Proximity antenna housing molded of ultra high strength, impact resistant Lexan®
Door prep:	Standard ANSI A115 Mortise prep, modified by adding additional through-bolt holes
Compliances:	Steelcase lockbody meets BHMA specifications For Grade 1 locks. UL listed to the 10C Positive Pressure Specification. FCC Certified. ADA compliant levers
Functions:	Classroom function feature stainless steel latchbolt With 3/4" (1.91cm) projection and deadlocking latch Deadbolt function feature stainless steel deadbolt with 1" (2.55cm) projection, latchbolt with 3/4" (1.91cm) projection and deadlocking latch Deadbolt may be projected from key cylinder from outside door or turn-piece from inside door
Cylinder:	1 3/8" (3.5cm) mortise cylinder supplied. Will Accept 1 1/4" to 1 1/2" (3.5 – 3.82cm) mortise Cylinder. Classroom function supplied with straight Cam and deadbolt function supplied with cloverleaf Cam
Cams:	Cams for other manufacturer's cylinders are available See "Mortise Lock accessories" for part numbers & Manufacturers



**ALL PDL3500 LOCKS ARE WEATHER-RESISTANT**

**PLEASE CHECK WITH FACTORY FOR LEAD TIMES ON SPECIAL FINISHES**

PRODUCT	FINISH	LIST PRICE
PDL3500CRR		
Straight lever classroom function	US26D	\$1,940.00
Right hand	US3 & US10B	\$2,020.00
PDL3500CRL		
Straight lever classroom function	US26D	\$1,940.00
Left Hand	US3 & US10B	\$2,020.00
PDL3500DBR		
Straight lever deadbolt function	US26D	\$1,940.00
Right hand	US3 & US10B	\$2,020.00
PDL3500DBL		
Straight lever deadbolt function	US26D	\$1,940.00
Left Hand	US3 & US10B	\$2,020.00
PDL3575CRR		
Regal (curved) lever classroom	US26D	\$1,956.00
Function right hand	US3 & US10B	\$2,037.00
PDL3575CRL		
Regal (curved) lever classroom	US26D	\$1,956.00
Function left hand	US3 & US10B	\$2,037.00



**Price Book 2017**

**TRILOGY ELECTRONIC PROXIMITY MORTISE LOCKS (con't)**  
**PLEASE CHECK WITH FACTORY FOR LEAD TIMES ON SPECIAL FINISHES**

<b>PRODUCT</b>	<b>DESCRIPTION</b>	<b>LIST PRICE</b>
PDL3575DBR Regal (curved) lever deadbolt Function right hand	US26D US3 & US10B	\$1,956.00 \$2,037.00
PDL3575DBL Regal (curved) lever deadbolt Function left hand	US26D US3 & US10B	\$1,956.00 \$2,037.00
PDL3500SK/26D	Mounted sales kit, straight lever. Available in classroom or deadbolt function.	Call Factory
PL3500CRR Straight lever classroom function Right hand	US26D US3 & US10B	\$1,940.00 \$2,020.00
PL3500CRL Straight lever classroom function Left Hand	US26D US3 & US10B	\$1,940.00 \$2,020.00
PL3500DBR Straight lever deadbolt function Right hand	US26D US3 & US10B	\$1,940.00 \$2,020.00
PL3500DBL Straight lever deadbolt function Left Hand	US26D US3 & US10B	\$1,940.00 \$2,020.00
PL3575CRR Regal (curved) lever classroom Function right hand	US26D US3 & US10B	\$1,956.00 \$2,037.00
PL3575CRL Regal (curved) lever classroom Function left hand	US26D US3 & US10B	\$1,956.00 \$2,037.00
PL3575DBR Regal (curved) lever deadbolt Function right hand	US26D US3 & US10B	\$1,956.00 \$2,037.00
PL3575DBL Regal (curved) lever deadbolt Function left hand	US26D US3 & US10B	\$1,956.00 \$2,037.00
AL-PCI2	Computer interface cable for serial connection includes DL-Windows software	\$129.00
ALPCI2-U	USB computer interface cable includes DL-Windows software	\$237.00
MX1130	USB Converter	\$118.00
AL-IR1	Infra-red Printer	\$520.00
AL-DTMIII	Data Transfer Module	\$448.00
AL-PRE	Prox Card Enroller	\$590.00
ALHID1326	Proximity Access Cards 100 Per Box	\$505.00
ALHID1336	Proximity, Magnetic Stripe and Photo ID cards 100 per box	\$1,030.00
ALHID1386	Proximity and Photo ID Card 100 per box	\$927.00
ALHID1391	MicroProx Tag 10 per box	\$82.00
ALHID1346	Proximity keyfob 10 per box	\$118.00
ALTRAINDVD	Trilogy DL-Windows and Network Connectivity software training videos divided into 4 easy to follow sections conducted into a classroom style environment. Training videos cover basics, getting started, schedules and times zones, programming Trilogy locks via a laptop and the DTM along with how to connect and bring Networkx on line.	\$0.00 + \$15.95 shipping and handling charge. Please contact customer service at 1-800-ALA-LOCK to place your order via credit card, or email sales@alarmlock.com
S6190	Exit Trim/Mortise Lock Parts Kit	\$151.00

## TRILOGY ELECTRONIC DIGITAL PROXIMITY MORTISE LOCKS WITH PRIVACY & RESIDENCY FEATURES

**PDL4500 - Electronic battery operated digital proximity lock. Holds up to 2000 codes, Master, Management, Supervisor & basic user. 500 event schedule, real time clock & 40,000 event audit trail. Will read most HID card and keyfob formats. Privacy feature will lock out all users for a programmed amount of time. Residency feature-allows exiting without having to lock the door.**

**SPECIFICATIONS:**

Door Thickness:	Fits 1 3/8" to 1 7/8" (4.46cm).
Backset:	2 3/4" standard
Strike:	1 1/4" x 4 7/8" strike included
Handing:	Specify RH or LH when ordering, lock is reversible In the field
Power:	5 AA alkaline batteries (included)
Keypad:	Weatherproof all metal, 12 button. All functions programmed through keypad. Proximity antenna housing molded of ultra high strength, impact resistant Lexan®
Door prep:	Standard ANSI A115 Mortise prep, modified by adding additional through-bolt holes
Compliances:	Steelcase lockbody meets BHMA specifications For Grade 1 locks. UL listed to the 10C Positive Pressure Specification. FCC Certified. ADA compliant levers
Functions:	Deadbolt function feature stainless steel deadbolt with 1" (2.55cm) projection, latchbolt with 3/4" (1.91cm) projection and deadlocking latch Deadbolt may be projected from key cylinder from outside door or turn-piece from inside door
Cylinder:	1 3/8" (3.5cm) mortise cylinder supplied. Will Accept 1 1/4" to 1 1/2" (3.5 – 3.82cm) mortise Cylinder. Deadbolt function supplied with cloverleaf cam
Cams:	Cams for other manufacturer's cylinders are available See "Mortise Lock accessories" for part numbers & Manufacturers



**ALL PDL4500 LOCKS ARE WEATHER-RESISTANT  
PLEASE CHECK WITH FACTORY FOR LEAD TIMES ON SPECIAL FINISHES**

PRODUCT	FINISH	LIST PRICE
PDL4500DBR Straight lever deadbolt function Right hand	US26D US3 & US10B	\$1,664.00 \$1,744.00
PDL4500DBL Straight lever deadbolt function Left Hand	US26D US3 & US10B	\$1,664.00 \$1,744.00
PDL4575DBR Regal (curved) lever deadbolt Function right hand	US26D US3 & US10B	\$1,682.00 \$1,757.00
PDL4575DBL Regal (curved) lever deadbolt Function right hand	US26D US3 & US10B	\$1,682.00 \$1,757.00
PDL4500SK/26D	Mounted Sales Demo	Call Factory
AL-PCI2	Computer interface cable for serial connection includes DL-Windows software	\$129.00
ALPCI2-U	USB computer interface cable includes DL-Windows software	\$237.00
MX1130	USB Converter	\$118.00
AL-IR1	Infra-red Printer	\$520.00
AL-DTMIII	Data Transfer Module	\$448.00
AL-PRE	Prox Card Enroller	\$590.00



**ALARM LOCK**

**Price Book 2017**

**MORTISE LOCK ACCESSORIES**

ALHID1326	Proximity Access Cards 100 Per Box	\$505.00
ALHID1336	Proximity, Magnetic Stripe and Photo ID cards 100 per box	\$1,030.00
ALHID1386	Proximity and Photo ID Card 100 per box	\$927.00
ALHID1391	MicroProx Tag 10 per box	\$82.00
ALHID1346	Proximity keyfob 10 per box	\$118.00
ALTRAINDVD	Trilogy DL-Windows and Networx Connectivity software training videos divided into 4 easy to follow sections conducted into a classroom style environment. Training videos cover basics, getting started, schedules and times zones, programming Trilogy locks via a laptop and the DTM along with how to connect and bring Networx on line.	\$0.00 + \$15.95 shipping and handling charge. Please contact customer service at 1-800-ALA-LOCK to place your order via credit card, or email sales@alarmlock.com

**MORTISE LOCK PARTS**

<b>CLASSROOM FUNCTION CAMS</b>		
HW956-L	Alarm Lock Standard Straight Cam	\$5.00
HW956-M	Marks Straight Cam	\$5.00
HW956-C	Corbin-Russwin Straight Cam	\$5.00
HW956-S	Schlage Straight Cam	\$5.00
HW956-A	Arrow Straight Cam	\$5.00
HW956-R	Sargent Straight Cam	\$5.00
<b>DEADBOLT FUNCTION CAMS</b>		
HW957-L	Alarm Lock Standard Cloverleaf Cam	\$5.00
HW957-M	Marks Cloverleaf Cam	\$5.00
HW957-C	Corbin-Russwin Cloverleaf Cam	\$5.00
HW957-S	Schlage Cloverleaf Cam	\$5.00
HW957-A	Arrow Cloverleaf Cam	\$5.00
HW957-S	Sargent Cloverleaf Cam	\$5.00
HW1141	Schlage IC Cloverleaf Cam	\$5.00

S6165	PDL3500 complete outside housing available in 26D, US3 & US10B	\$1,087.00
S6175	Replacement lever support spring	\$3.00
S6192	Lever and spring upgrade kit Standard lever – 26D, 10B, US3	\$54.00
S6193	Lever and spring upgrade kit Regal lever – 26D, 10B, US3	\$80.00
HW904DBR	Right hand deadbolt lock body	\$171.00
HW903DBL	Left hand deadbolt lock body	\$171.00
HW870CRL	Left Hand Classroom lock body	\$171.00
HW875CRR	Right hand Classroom lock body	\$171.00
S6065	Replacement Battery Pack	\$38.00



## TRILOGY NARROW STYLE LOCK PRODUCTS

**DL1200 SERIES – Aluminum door retrofit outside trim. Works with Adams Rite® 4500, 4700 & 4900 series deadlatch. 4070, MS18505 & MS19505 series deadbolts. 100 user codes, master, Manager, basic user and 3 “one-time” user codes.**



**SPECIFICATIONS:**

- Door thickness:** supports style 1 ¼” only
- Backset:** supports 31/32”, 1 1/8”, & 1 ½”
- Latch:** works with Adams Rite® 1850, 1950, 4710, 4070, 4730, 4900 Series spring latch and MS1850S & MS1950S series deadbolts
- Handing:** non-handed
- Power:** uses 2 DL123A lithium batteries
- Keypad:** all metal, vandal resistant 12 button keypad supports 3-5 digit PIN codes
- Cylinder:** supplied with 6 pin mortise standard mortise cylinder SC1 Keyway. Use 1 3/8” or 1 ½” cylinders
- Cams:** cam supplied works with generic Alarm Lock cylinder. Other Standard cams available for Corbin-Russwin, Marks, Arrow, Sargent & Schlage. IC type cams for Best, Corbin-Russwin, Medeco, Schlage & Yale are also available

**ALL DL1200 SERIES LOCKS ARE WEATHER-RESISTANT**

PRODUCT	DESCRIPTION	LIST PRICE
DL1200/26D1	Lever set works with Adams Rite® 4500, 4700, & 4900 series deadlatch 26D finish	\$672.00
DL1200/10B1	Lever set works with Adams Rite® 4500, 4700 & 4900 series deadlatch 10B finish	\$672.00
DL1225/26D2	Thumb turn works with Adams Rite® 4070, MS18505, MS1950 series deadbolt 26D finish	\$672.00
DL1225/10B2	Thumb turn works with Adams Rite® 4070, MS18505, MS1950 series deadbolt 10B finish	\$672.00
DL1250/26D2	Knob works with Adams Rite® 4070, MS18505, MS1950 series deadbolt 26D finish	\$672.00
DL1250/10B2	Knob works with Adams Rite® 4070, MS18505, MS1950 series deadbolt 10B finish	\$672.00





## TRILOGY NARROW STYLE LOCK PRODUCTS

**DL1300 SERIES – Aluminum door retrofit outside trim. Works with Adams Rite® 1850, 1950, 4710, 4070, 4730, 4900 series spring latch and MS18505 & MS19505 series deadbolts. 2,000 user codes, master, Manager, basic user and multiple “one-time” user codes. 500 event schedule, real time clock & 40,000 event audit trail.**



**SPECIFICATIONS:**

**Door thickness:** supports style 1 3/4” only  
**Backset:** supports 31/32”, 1 1/8”, & 1 1/2”  
**Latch:** works with Adams Rite® 1850, 1950, 4710, 4070, 4730, 4900 Series spring latch and MS1850S & MS1950S series deadbolts  
**Handing:** non-handed  
**Power:** uses 2 DL123A lithium batteries  
**Keypad:** all metal, vandal resistant 12 button keypad supports 3-5 digit PIN codes  
**Cylinder:** supplied with 6 pin mortise standard mortise cylinder SC1 Keyway. Use 1 3/8” or 1 1/2” cylinders  
**Cams:** cam supplied works with generic Alarm Lock cylinder. Other Standard cams available for Corbin-Russwin, Marks, Arrow, Sargent & Schlage. IC type cams for Best, Corbin-Russwin, Medeco, Schlage & Yale are also available



**ALL DL1300 SERIES LOCKS ARE WEATHER RESISTANT**

PRODUCT	DESCRIPTION	LIST PRICE
DL1300/26D1	Lever set works with Adams Rite® 4500, 4700, & 4900 series deadlatch 26D finish	\$843.00
DL1300/10B1	Lever set works with Adams Rite® 4500, 4700, & 4900 series deadlatch 10B finish	\$843.00
DL1325/26D2	Thumb turn works with Adams Rite® 4070, MS18505, MS1950 series deadbolt 26D finish	\$843.00
DL1325/10B2	Thumb turn works with Adams Rite® 4070, MS18505, MS1950 series deadbolt 10B finish	\$843.00
DL1350/26D2	Knob works with Adams Rite® 4070, MS18505, MS1950 series deadbolt 26D finish	\$843.00
DL1350/10B2	Knob works with Adams Rite® 4070, MS18505, MS1950 series deadbolt 10B finish	\$843.00
AL-PCI2	Computer interface cable for serial connection includes DL-Windows software	\$129.00
ALPCI2-U	USB computer interface cable includes DL-Windows software	\$237.00
AL-IR1	Infra-red Printer	\$520.00
AL-DTMIII	Data Transfer Module	\$448.00



## TRILOGY NARROW STILE LOCK PRODUCTS

**PDL1300 SERIES – Aluminum door retrofit outside trim. Works with Adams Rite® 1850, 1950, 4710, 4070, 4730, 4900 series spring latch and MS1850S & MS1950S series deadbolts. 2,000 user codes, master, Manager, basic user and multiple “one-time” user codes. Proximity capabilities. 500 event schedule, real time clock & 40,000 event audit trail.**



**SPECIFICATIONS:**

**Door thickness:** supports style 1 3/4” only  
**Backset:** supports 31/32”, 1 1/8”, & 1 1/2”  
**Latch:** works with Adams Rite® 1850, 1950, 4710, 4070, 4730, 4900 Series spring latch and MS1850S & MS1950S series deadbolts  
**Handing:** non-handed  
**Power:** uses 2 DL123A lithium batteries  
**Keypad:** all metal, vandal resistant 12 button keypad supports 3-5 digit PIN codes and HID proximity cards and fobs. Proximity antenna housing molded of ultra high strength, impact resistant Lexan®  
**Cylinder:** supplied with 6 pin mortise standard mortise cylinder SC1 Keyway. Use 1 3/8” or 1 1/2” cylinders  
**Cams:** cam supplied works with generic Alarm Lock cylinder. Other Standard cams available for Corbin-Russwin, Marks, Arrow, Sargent & Schlage. IC type cams for Best, Corbin-Russwin, Medeco, Schlage & Yale are also available

**ALL NARROW STILE LOCKS ARE WEATHER RESISTANT**

PRODUCT	DESCRIPTION	LIST PRICE
PDL1300/26D1	Lever set works with Adams Rite® 4500, 4700, & 4900 series deadlatch 26D finish	\$1,222.00
PDL1300/10B1	Lever set works with Adams Rite® 4500, 4700, & 4900 series deadlatch 10B finish	\$1,222.00
PDL1325/26D2	Thumb turn works with Adams Rite® 4070, MS1850S, MS1950 series deadbolt 26D finish	\$1,222.00
PDL1325/10B2	Thumb turn works with Adams Rite® 4070, MS1850S, MS1950 series deadbolt 10B finish	\$1,222.00
PDL1350/26D2	Knob works with Adams Rite® 4070, MS1850S, MS1950 series deadbolt 26D finish	\$1,222.00
PDL1350/10B2	Knob works with Adams Rite® 4070, MS1850S, MS1950 series deadbolt 10BD finish	\$1,222.00
AL-PC12	Computer interface cable for serial connection includes DL-Windows software	\$129.00



Price Book 2017

## TRILOGY NARROW STYLE LOCK PRODUCTS (con't)

ALPCI2-U	USB computer interface cable includes DL-Windows software	\$237.00
MX1130	USB Converter	\$118.00
AL-IR1	Infra-red Printer	\$520.00
AL-DTMIII	Data Transfer Module	\$448.00
AL-PRE	Prox Card Enroller	\$590.00
ALHID1326	Proximity Access Cards 100 Per Box	\$520.00
ALHID1336	Proximity, Magnetic Stripe and Photo ID cards 100 per box	\$1,030.00
ALHID1386	Proximity and Photo ID Card 100 per box	\$927.00
ALHID1391	MicroProx Tag 10 per box	\$82.00
ALHID1346	Proximity keyfob 10 per box	\$118.00

## PARTS

STANDARD MORTISE CAMS	DESCRIPTION	LIST PRICE
HW1344	Corbin-Russwin standard cam	\$5.00
HW1346	Marks standard cam	\$5.00
HW1348	Arrow & Sargent standard cams	\$5.00
HW1349	Schlage standard cam	\$5.00
<b>IC MORTISE CAMS</b>		
HW1345	Corbin-Russwin IC cam	\$11.00
HW1347	Medeco IC cam	\$11.00
HW1350	Schlage IC cam	\$11.00
HW1343	Best IC cam	\$11.00
S6169	Best IC housing with cam attached 26D, 10B	\$42.00
<b>Replacement Battery</b>		
S6161	Inside Battery Kit	\$61.00
S6170	Replacement Battery	\$38.00

## HOW TO ORDER THE TRILOGY NARROW STILE LOCKS

**Last two digits of the part number are**

**00 Straight Lever**

**25 Thumb turn**

**50 Knob**

**Used with Adams Rite Product**

**4500, 4700 & 4900 Series Only**

**MS1850, MS1950 & 4070 Series**

**MS1850, MS1950 & 4070 Series**



Price Book 2017

## TRILOGY NARROW STYLE/EXIT LOCK PRODUCTS

**DL1200ET, DL1300ET & PDL1300ET SERIES - Aluminum door retrofit outside trim. Works with Arrow, DCI, Von Duprin, Corbin, Dor-o-matic, Dorma & Jackson. DL1200ET has 100 user codes, master, Manager, basic user and 3 “one-time” user codes. DL1300ET & PDL1300ET have 2,000 user codes, multiple “one-time” user codes. 500 event schedule, real time clock & 40,000 event audit trail. PDL1300ET also has proximity capabilities.**

**SPECIFICATIONS:**



**Door thickness:** supports style 1 3/4” only  
**Handing:** non-handed  
**Power:** uses 2 DL123A lithium batteries  
**Keypad:** all metal, vandal resistant 12 button keypad supports 3-5 digit PIN codes  
**Cylinder:** supplied with 6 pin mortise standard mortise cylinder SC1 Keyway. Use 1 3/8” or 1 1/2” cylinders  
**Cams:** cam supplied works with generic Alarm Lock cylinder. Other Standard cams available for Corbin-Russwin, Marks, Arrow, Sargent & Schlage. IC type cams for Best, Corbin-Russwin, Medeco, Schlage & Yale are also available



**Must order separate tailpiece for specific ET being installed  
 (See page 31)**

**Note: ET Trim works w/V33 LH (RHR) only**

**ALL NARROW STILE/EXIT LOCKS ARE WEATHER RESISTANT**

PRODUCT	DESCRIPTION	LIST PRICE
DL1200ET/26D STRAIGHT LEVER 100 user codes	Narrow Stile Lock for Arrow S1200/S1250, DCI 1200/1300, Von Duprin 22, Corbin ED8200 & Von Duprin 33 panic LH (RHR) devices only	\$672.00
DL1200ET//10B STRAIGHT LEVER 100 user codes	Narrow Stile Lock for Arrow S1200/S1250, DCI 1200/1300, Von Duprin 22, Corbin ED8200 & Von Duprin 33 panic LH (RHR) devices only	\$672.00
DL1225ET/26D TURNPIECE 100 user codes	Narrow Stile lock for Dor-o-Matic 2090, Jackson 1095 & Dorma 5300 panic devices	\$672.00
DL1225ET/10B TURNPIECE 100 user codes	Narrow Stile lock for Dor-o-Matic 2090, Jackson 1095 & Dorma 5300 panic devices	\$672.00
DL1250ET/26D KNOB 100 user codes	Narrow Stile lock for Dor-o-Matic 2090, Jackson 1095 & Dorma 5300 panic devices	\$672.00



Price Book 2017

**TRILOGY NARROW STYLE/EXIT LOCK PRODUCTS (CON'T)**

DL1250ET/10B KNOB 100 user codes	Narrow Stile lock for Dor-o-Matic 2090, Jackson 1095 & Dorma 5300 panic devices	\$672.00
DL1300ET/26D STRAIGHT LEVER 2,000 user codes	Narrow Stile Lock for Arrow S1200/S1250, DCI 1200/1300, Von Duprin 22, Corbin ED8200 & Von Duprin 33 LH (RHR) devices only	\$878.00
DL1300ET/10B STRIGHT LEVER 2,000 user codes	Narrow Stile Lock for Arrow S1200/S1250, DCI 1200/1300, Von Duprin 22, Corbin ED8200 & Von Duprin 33 LH (RHR) devices only	\$878.00
DL1325ET/26D TURNPIECE 2,000 user codes	Narrow Stile lock for Dor-o-Matic 2090, Jackson 1095 & Dorma 5300 panic devices	\$878.00
DL1325ET/210B TURNPIECE 2,000 user codes	Narrow Stile lock for Dor-o-Matic 2090, Jackson 1095 & Dorma 5300 panic devices	\$878.00
DL1350ET/26D KNOB 2,000 user codes	Narrow Stile lock for Dor-o-Matic 2090, Jackson 1095 & Dorma 5300 panic devices	\$878.00
DL1350ET/10B KNOB 2,000 user codes	Narrow Stile lock for Dor-o-Matic 2090, Jackson 1095 & Dorma 5300 panic devices	\$878.00
PDL1300ET/26D STRAIGHT LEVER 2,000 user codes	Narrow Stile Lock for Arrow S1200/S1250, DCI 1200/1300, Von Duprin 22, Corbin ED8200 & Von Duprin 33 LH (RHR) devices only	\$1,222.00
PDL1300ET/10B STRAIGHT LEVER 2,000 user codes	Narrow Stile Lock for Arrow S1200/S1250, DCI 1200/1300, Von Duprin 22, Corbin ED8200 & Von Duprin 33 LH (RHR) devices only	\$1,222.00
PDL1325ET/26D TURNPIECE 2,000 user codes	Narrow Stile lock for Dor-o-Matic 2090, Jackson 1095 & Dorma 5300 panic devices	\$1,222.00
PDL1325ET/10B TURNPIECE 2,000 user codes	Narrow Stile lock for Dor-o-Matic 2090, Jackson 1095 & Dorma 5300 panic devices	\$1,222.00
PDL1350ET/26D KNOB 2,000 user codes	Narrow Stile lock for Dor-o-Matic 2090, Jackson 1095 & Dorma 5300 panic devices	\$1,222.00
PDL1350ET/10B KNOB 2,000 user codes	Narrow Stile lock for Dor-o-Matic 2090, Jackson 1095 & Dorma 5300 panic devices	\$1,222.00



Price Book 2017

## TRILOGY NARROW STYLE/EXIT LOCK PRODUCTS (CON'T)

Tailpieces must be used with the Panic Devices as shown below

TAILPIECE PART NUMBER	PANIC DEVICE	LIST PRICE
<b>TP-1691</b>	Used with Arrow S1200/1250, DCI 1200/1300, Von Duprin 22 & Dorma 5300 Panic Devices	\$57.00
<b>TP-1692</b>	Used with Dor-o-Matic 2090 Panic Device	\$57.00
<b>TP-1693</b>	Used with Corbin ED8200 Panic Device	\$57.00
<b>TP-1694</b>	Used with Von Duprin 33 LH (RHR) devices only	\$57.00
<b>TP-1698</b>	Used with Jackson 1095 Panic Device	\$57.00

## TRILOGY NARROW STYLE/EXIT LOCK PRODUCTS

### PARTS AND ACCESSORIES

ACCESSORIES	DESCRIPTION	LIST PRICE
AL-PCI2	Computer interface cable for serial connection includes DL-Windows software	\$129.00
ALPCI2-U	USB computer interface cable includes DL-Windows software	\$237.00
MX1130	USB Converter	\$120.00
AL-IR1	Infra-red Printer	\$520.00
AL-DTMIII	Data Transfer Module	\$448.00
AL-PRE	Prox Card Enroller	\$590.00
ALHID1326	Proximity Access Cards 100 Per Box	\$505.00
ALHID1336	Proximity, Magnetic Stripe and Photo ID cards 100 per box	\$1,030.00
ALHID1386	Proximity and Photo ID Card 100 per box	\$927.00
ALHID1391	MicroProx Tag 10 per box	\$82.00
ALHID1346	Proximity keyfob 10 per box	\$118.00

STANDARD MORTISE CAMS	DESCRIPTION	LIST PRICE
HW1344	Corbin-Russwin standard cam	\$5.00
HW1346	Marks standard cam	\$5.00
HW1348	Arrow & Sargent standard cams	\$5.00
HW1349	Schlage standard cam	\$5.00
<b>IC MORTISE CAMS</b>		
HW1345	Corbin-Russwin IC cam	\$11.00
HW1347	Medeco IC cam	\$11.00
HW1350	Schlage IC cam	\$11.00
HW1343	Best IC cam	\$11.00
S6169	Best IC housing w/cam attached 26D, 10B	\$42.00
<b>Replacement Battery</b>		
S6161	Inside Battery Kit	\$61.00
S6170	Replacement Battery	\$38.00

## TRILOGY EXIT TRIM PRODUCTS

Battery operated Trilogy outside trim works with Marks M9900, Von Duprin 99, Corbin ED5000, Yale 7100, Dorma 9300, Arrow 3800, Sargent 8800, Precision 1100, 2100 & Cal Royal 9800, series panic devices. Available in DL series (keypad) or PDL (prox/keypad) formats. Features include 2,000 user codes, 500 scheduled events and 40,000 event audit trail.

### SPECIFICATIONS:

Cylinder:	Uses standard rim cylinder to operate key override function. Will accept 6 or 7 pin interchangeable core cylinders – see below.
Handing:	Non-handed
Power:	5 AA alkaline batteries (included) mounted on inside of door.
Keypad:	Weather-resistant all metal, 12 button. All functions Programmable through the keypad. PDL version proximity antenna housing molded of ultra high strength, impact resistant Lexan®



crash bar not included except with M99 kit.

**ALL ET SERIES LOCKS ARE WEATHER-RESISTANT**  
PLEASE CHECK WITH FACTORY FOR LEAD TIMES ON SPECIAL FINISHES

PRODUCT	DESCRIPTION	LIST PRICE
ETDL series	26D	\$1,320.00
ETDL series	US3 & US10B	\$1,388.00
ETDL series w/Regal lever	26D	\$1,343.00
ETDL series w/Regal lever	US3 & US10B	\$1,400.00
ETPDL series	26D	\$1,722.00
ETPDL series	US3 & US10B	\$1,792.00
ETPDL series w/Regal lever	26D	\$1,744.00
ETPDL series w/Regal lever	US3 & US10B	\$1,812.00
ETPL series	26D	\$1,722.00
	US3 & US10B	\$1,792.00
ETPL series w/Regal lever	26D	\$1,744.00
	US3 & US10B	\$1,812.00
Specify finish on adapter kit ET- AL Finish = 26D, US3 & US10B	Alarm Lock Standard Rim Cylinder Adapter kit (Schlage C keyway)	\$57.00
ET- AR Finish = 26D, US3 & US10B	Arrow Standard Rim Cylinder Adapter kit	\$57.00
ET- AS Finish = 26D, US3 & US10B	ASSA Standard Rim Cylinder Adapter kit	\$57.00
ET - C Finish = 26D, US3 & US10B	Corbin Standard Rim Cylinder Adapter kit	\$57.00
ET - M Finish = 26D, US3 & US10B	Medeco Standard Rim Cylinder Adapter kit	\$57.00
ET - R Finish = 26D, US3 & US10B	Sargent Standard Rim Cylinder Adapter kit	\$57.00
ET - S Finish = 26D, US3 & US10B	Schlage Standard Rim Cylinder Adapter kit	\$57.00
ET - Y Finish = 26D, US3 & US10B	Yale Standard Rim Cylinder Adapter kit	\$57.00
ET - ARIC Finish = 26, 26D, 3, 4, 5, 10B	Arrow IC 6 & 7 Pin Rim Cylinder Adapter kit	\$79.00
ET - BIC Finish = 26D, US3 & US10B	Best IC 6 & 7 Pin Rim Cylinder Adapter kit	\$79.00
ET - CIC Finish = 26D, US3 & US10B	Corbin IC Rim Cylinder Adapter kit	\$79.00
ET - MIC Finish = 26D, US3 & US10B	Medeco IC 6 & 7 Pin Rim Cylinder Adapter kit	\$79.00



**Price Book 2017**

**TRILOGY EXIT TRIM PRODUCTS (CONT'D)**

<b>Product</b>	<b>Description</b>	<b>LIST PRICE</b>
ET - RIC Finish = 26D, US3 & US10B	Sargent IC Rim Cylinder Adapter kit	\$79.00
ET - SIC Finish = 26D, US3 & US10B	Schlage IC Rim Cylinder Adapter kit	\$79.00
ET - YIC Finish = 26D, US3 & US10B	Yale IC 6 Pin Rim Cylinder Adapter kit	\$79.00
ETDLSKZ/26D V99, C50, A38, D93, Y71, S88, CR8, P11	Mounted sales kit For demo purposes	Call Factory
ETPDLSKZ/26D V99, C50, A38, D93, Y71, S88, CR8, P11	Mounted sales kit For demo purposes	Call Factory
AL-PCI2	Computer interface cable for serial connection Includes DL-Windows software	\$129.00
ALPCI2-U	USB computer interface cable includes DL-Windows software	\$ 230.00
AL-IR1	Infra-red Printer	\$520.00
AL-DTMIII	Data Transfer Module	\$448.00
AL-PRE	Prox Card Enroller	\$590.00
ALHID1326	Proximity Access Cards 100 per box	\$470.00
ALHID1336	Proximity, Magnetic Stripe and Photo ID cards 100 per box	\$1,030.00
ALHID1386	Proximity and Photo ID Card 100 per box	\$927.00
ALHID1346	Proximity keyfob packed 10 per box	\$118.00
ALHID1391	MicroProx Tag 10 per box	\$82.00

**EXIT TRIM KITS W/MARKS M9900 PANIC BAR**

<b>PRODUCT</b>	<b>DESCRIPTION</b>	<b>LIST PRICE</b>
ETDL-M99K	26D Finish	\$1,729.00
ETPDL-M99K	26D Finish	\$2,118.00

**EXTENDED SPINDLES CAN BE PURCHASED SEPARATELY**

S6146 Extended Spindle and screws	Extend exit trim to fit 2 – 2 3/4” doors	\$112.00
S6147 Extended Spindle and screws	Extend exit trim to fit 3 – 4” doors	\$112.00
S6195 Extended Spindle and screws	Extend exit trim to fit 4 1/4 - 5” doors	\$112.00
SC544	Extended replacement screws with adjustable lengths (4 per unit)	\$21.00
9ETBATCASE	Replacement Battery	\$48.00
S6175	Lever return spring for ET	\$3.00
S6190	Exit Trim/Mortise Lock Parts Kit	\$151.00
S6191	Lever and spring upgrade kit Standard lever – 26D, 10B	\$61.00
S6193	Lever and spring upgrade kit Regal lever – 26D, 10B	\$78.00

**PLEASE SEE “HOW TO ORDER” CHART ON PAGE 18 TO PROPERLY ORDER YOUR TRILOGY EXIT TRIM. IF YOU REQUIRE THE LOCK TO BE PREPPED FOR A THICKER DOOR, YOU MUST ORDER EXTENDED SPINDLE/SCREW KIT. THE BASIC MODEL IS PREPPED FOR A 1 5/8” TO 1 7/8” DOOR.**

**\*\*\*\* PRECISION 2100 SERIES WILL WORK WITH THE VON DUPRIN 99 PREP. YOU MUST GET A MOUNTING PLATE PART # 2141208 FROM PRECISION\*\*\*\***





## HOW TO ORDER YOUR TRILOGY EXIT LOCK

Below is a “How to Order” guide for the Trilogy Exit Trim products. Please follow this guide when placing orders to avoid any delay in processing your order.

**All units are sold with a generic cylinder adapter installed. When you are using a specific Brand of rim cylinder, you must purchase a Cylinder Adapter Kit from the chart below.**

### ETPDLS1G/26DV99

**TYPE**

PDL Digital w/Prox  
 PL Prox only  
 DL Keypad only

**HANDLE**

R-Regal  
 S-Straight

**DOOR THICKNESS**

1=1 3/4" + 1/8"  
**All units shipped with "1" option.**

**For thicker door preps, you must order extended spindle and screw kit separately.**

**G= generic rim cylinder & adapter kit included in all locks**

**COMPATABLE PANIC DEVICES**

M99 – Marks M9900  
 V99 – VonDuprin 99(P21)  
 C50 – Corbin ED5000 and  
 Y71 - Yale 7100  
 D93 – Dorma 9300  
 A38 – Arrow 3800  
 S88 – Old Style Sargent 8800  
 NS8 – New Style Sargent 8888  
 P11 - Precision 1100  
 CR8 – Cal Royal 9800

**FINISH**

26D = satin chrome  
 10B = duronodic

**Please note that Precision 2100 series will match up to the Von Duprin 99 series Trilogy. You must get a mounting plate #2141208 from Precision.**

**CYLINDER ADAPTER KITS**

You must choose one of the cylinder adapter kits below if you are using a name brand cylinder in the lock.

- ET - AL - Alarm Lock standard (Schlage C keyway)
- ET - BIC - Best IC 6 & 7 pin
- ET - S - Schlage standard rim
- ET - SIC - Schlage IC
- ET - R - Sargent standard rim
- ET - RIC - Sargent IC
- ET - Y - Yale standard rim
- ET - YIC - Yale IC 6 pin
- ET - C - Corbin standard rim
- ET - CIC - Corbin IC
- ET - M - Medeco standard rim
- ET - MIC - Medeco IC 6 & 7 pin
- ET - AR - Arrow standard rim
- ET - ARIC - Arrow IC 6 & 7 pin
- ET - AS - ASSA standard rim



## TRILOGY ELECTRONIC DIGITAL KEYPAD

**DK3000/PDK3000 Series - Electronic digital keypad. Available in keypad only and keypad plus prox. Holds up to 2,000 user codes, Master, Management, Supervisor & basic user. 500 event schedule, real time clock & 40,000 event audit trail. Prox unit will read most HID cards and keyfobs.**

**Specifications:**

- Wall mount :** Single gang box mounting .
- Wiring :** Unit provides flying leads for power, relays, tamper and remote Release.
- I/O Specs:** 2 form C relays 5AMP minimum contact rating. Red & green LED Indicators. 1 remote release input. Sounder and tamper.
- Power:** Operating voltage 12-24VAC/DC field selectable.



**ALL DK3000/PDK3000 ARE WEATHER-RESISTANT**

PRODUCT	FINISH	LIST PRICE
DK3000	Metallic silver (MS) Metallic bronze (MB)	\$642.00
	26D, US3 & US10B	\$838.00
PDK3000	Metallic silver (MS) Metallic bronze (MB)	\$1,067.00
	26D, US3 & US10B	\$1,211.00
AL-PCI2	Computer interface cable for serial connection includes DL-Windows software	\$129.00
ALPCI2-U	USB computer interface cable includes DL-Windows software	\$237.00
MX1130	USB Converter	\$118.00
AL-IR1	Infra-red Printer	\$520.00
AL-DTMIII	Data Transfer Module	\$448.00
AL-PRE	Prox Card Enroller	\$590.00
ALHID1326	Proximity Access Cards 100 per box	\$505.00
ALHID1336	Proximity, Magnetic Stripe and Photo ID cards 100 per box	\$1,030.00
ALHID1386	Proximity and Photo ID Card 100 per box	\$927.00
ALHID1346	Proximity keyfob packed 10 per box	\$118.00
ALHID1391	MicroProx Tag 10 per box	\$82.00
ALTRAINDVD	Trilogy DL-Windows and Networx Connectivity software training videos divided into 4 easy to follow sections conducted into a classroom style environment. Training videos cover basics, getting started, schedules and times zones, programming Trilogy locks via a laptop and the DTM along with how to connect and bring Networx on line.	\$0.00 + \$15.95 shipping and handling charge. Please contact customer service at 1-800-ALA-LOCK to place your order via credit card, or email sales@alarmlock.com



## TRILOGY NETWORKX DIGITAL LOCKS

**DL6100 SERIES — Digital cylindrical lock supporting 5,000 pin user codes (3-6 digits), 500 scheduled events and 35,000 event audit log.**

**SPECIFICATIONS:**



Door Thickness: Fits 1 5/8" to 1 7/8". Other thickness, please consult factory

Backset: 2 3/4" (2 3/8" also available)

Strike: 1 1/8"x 2 3/4" T strike & 1 1/4" x 4 7/8" ASA strike included

Latchbolt: UL Listed, fire rated 3 hours, 1/2" throw reversible

Handing: Non-handed

Power: 4 C-cell batteries (included)

Keypad: All metal, 12 button. Basic functions programmed through the keypad.

Door prep: Standard ANSI A115 Series prep, modified by adding additional through-bolt holes

Compliances: BHMA Certified Grade 1 heavy duty cylindrical lockset. UL listed UL Listed 10C Positive Pressure Specification. FCC Certified. ADA compliant levers

Cylinder: 6 pin solid brass, SC1 keyway, furnished with all key override locks. Schlage, Corbin-Russwin CL, Sargent 480 series, ASSA 65-611 & Lori cylinders can also be used with HW620 tailpiece (supplied)

Interchangeable Core Models: Standard model accepts 6 & 7 pin cylinders from Best, Falcon, Arrow, KSP, Medeco Keymark & Kaba Peaks. IC core models prepped for 6 & 7 pin Yale, Medeco, Sargent, Corbin-Russwin & Schlage are also available

**Extended sizes:**  
Standard and SFIC cylinder preps can be extended for thicker doors.

**\$165.00 add on to list for extended lock.**

Extended lock legend:  
W54 - 2 1/8"  
W57 - 2 1/4"  
W60 - 2 3/8"  
W64 - 2 1/2"  
W70 - 2 3/4"  
W76 - 3"  
W83 - 3 1/4"  
W89 - 3 1/2"

Note: Locks can be adjusted by +/- 1/8" by adding or removing spacers.

**ALL NETWORKX LOCKS ARE WEATHER RESISTANT**

**PLEASE CHECK WITH FACTORY FOR LEAD TIMES ON SPECIAL FINISHES AND IC PREPS**

PRODUCT	FINISH	LIST PRICE
DL6100	26D	\$1,452.00
Standard key override	10B	\$1,534.00
DL6175		
Standard Key override	26D	\$1,472.00
Regal (curved)	10B	\$1,586.00
DL6100IC*	26D	\$1,472.00
Interchangeable core	10B	\$1,550.00
DL6175IC*		
Interchangeable core	26D	\$1,503.00
Regal (curved)	10B	\$1,565.00
AL-IME	Ethernet connected gateway w/AC adapter to plug into standard wall outlet	\$510.00
AL-IM80211	Wi-Fi gateway to connect to 802.11 network w/AC adapter to plug into standard wall outlet.	\$710.00
AL-IMEPOEP	Power Over Ethernet, plus hardwire gateway interface capability. No AC Power required.	\$610.00
S6196	Networkx Replacement Battery Pack	\$45.00

\*Add "C" for Corbin, "M" for Medeco, "R" for Sargent, "Y" for Yale and "S" for Schlage to end of the part number for specially prepped IC core models. Add \$15.00 to the list price shown above.

**Networkx training options available. See page 45 for details.**



## TRILOGY NETWORKX PROXIMITY DIGITAL LOCKS

**PDL6100/PDL6200— Prox and digital cylindrical lock supporting 5,000 PIN user codes (3-6 digits), and/or HID Proximity cards. 500 scheduled events and 35,000 event audit log.**

**SPECIFICATIONS:**



Door Thickness: Fits 1 5/8" to 1 7/8". Other thickness, please consult factory

Backset: 2 3/4" (2 3/8" also available)

Strike: 1 1/8"x 2 3/4" T strike & 1 1/4" x 4 7/8" ASA strike included

Latchbolt: UL Listed, fire rated 3 hours, 1/2" throw reversible

Handing: Non-handed

Power: 4 C-cell batteries (included)

Keypad: All metal, 12 button. Basic functions programmed through the keypad.

Door prep: Standard ANSI A115 Series prep, modified by adding additional through-bolt holes

Compliances: BHMA Certified Grade 1 heavy duty cylindrical lockset. UL listed UL Listed 10C Positive Pressure Specification. FCC Certified. ADA compliant levers

Cylinder: 6 pin solid brass, SC1 keyway, furnished with all key override locks. Schlage, Corbin-Russwin CL, Sargent 480 series, ASSA 65-611 & Lori cylinders can also be used with HW620 tailpiece (supplied)

Interchangeable Core Models: Standard model accepts 6 & 7 pin cylinders from Best, Falcon, Arrow, KSP, Medeco Keymark & Kaba Peaks. IC core models prepped for 6 & 7 pin Yale, Medeco, Sargent, Corbin-Russwin & Schlage are also available

**Extended sizes:**  
Standard and SFIC cylinder preps can be extended for thicker doors.

**\$165.00 add on to list for extended lock.**

Extended lock legend:  
W54 - 2 1/8"  
W57 - 2 1/4"  
W60 - 2 3/8"  
W64 - 2 1/2"  
W70 - 2 3/4"  
W76 - 3"  
W83 - 3 1/4"  
W89 - 3 1/2"

Note: Locks can be adjusted by +/- 1/8" by adding or removing spacers.

**ALL NETWORKX LOCKS ARE WEATHER RESISTANT  
PLEASE CHECK WITH FACTORY FOR LEAD TIMES ON SPECIAL FINISHES AND IC PREPS**

PRODUCT	FINISH	LIST PRICE
PDL6100	26D	\$1,864.00
Standard key override	10B	\$1,936.00
PDL6200		
Standard Key override	26D	\$1,915.00
w/door position switch	10B	\$1,987.00
PDL6175		
Standard Key override	26D	\$1,890.00
Regal (curved)	10B	\$1,951.00
PDL6100IC*	26D	\$1,879.00
Interchangeable core	10B	\$1,946.00
PDL6175IC*		
Interchangeable core	26D	\$1,962.00
Regal (curved)	10B	\$2,060.00
PDL6100SK	Mounted PDL6100 demo w/ mounted sales/demo kit including IME gateway and router mounted on plexi-glass for plug and play demonstrations with Alarm Lock carrying bag.	\$2,0000
AL-IME	Ethernet connected gateway w/AC adapter to plug into standard wall outlet	\$510.00
AL-IM80211	Wi-Fi gateway to connect to 802.11 network w/AC adapter to plug into standard wall outlet.	\$710.00

AL-IMEPOEP	Power Over Ethernet, plus hardwire gateway interface capability. No AC Power required.	\$610.00
AL-PRE	Prox Card Enroller	\$590.00
ALHID1326	Proximity Access Cards 100 Per Box	\$505.00
ALHID1336	Proximity, Magnetic Stripe and Photo ID cards 100 per box	\$1,030.00
ALHID1386	Proximity and Photo ID Card 100 per box	\$927.00
ALHID1391	MicroProx Tag 10 per box	\$82.00
ALHID1346	Proximity keyfob 10 per box	\$118.00
S6196	Networkx Replacement Battery Pack	\$45.00
AL-IME-USB	USB Gateway	\$300.00
AL-NSM	Networkx Signal Meter	\$296.00
AL-NSG	Networkx Signal Generator	\$240.00

\*Add "C" for Corbin, "M" for Medeco, "R" for Sargent, "Y" for Yale and "S" for Schlage to end of the part number for specially prepped IC core models. Add \$15.00 to the list price shown above. \*\*MUST SPECIFY 7 PIN FOR CORBIN AND YALE\*\*

**Networkx training options available. See below for details.**

**Note:**

**Training and education options available for Networkx products:**

- 1. FREE On-Line certification Software and Networkx connectivity video training available at: <http://alarmlock.com/trainingvideos-list.asp>**
- 2. On site training may be available thru our in field rep agencies on a quote-by-quote basis. The minimum charge is \$500. For a listing of the reps in your area, please go to our website at: <http://alarmlock.com/contactn.html>**

**AL Training DVD**

ALTRAINDVD	Trilogy DL-Windows and Networkx Connectivity software training videos divided into 4 easy to follow sections conducted into a classroom style environment. Training videos cover basics, getting started, schedules and times zones, programming Trilogy locks via a laptop and the DTM along with how to connect and bring Networkx on line.	\$0.00 + \$15.95 shipping and handling charge. Please contact customer service at 1-800-ALA-LOCK to place your order via credit card, or email <a href="mailto:sales@alarmlock.com">sales@alarmlock.com</a>
------------	---	---



ALARM LOCK

**Price Book 2017**

**TRILOGY NETWORKX PROXIMITY DIGITAL LOCKS**

**PL6100 SERIES — Prox only cylindrical lock supporting 5,000 PIN user codes (3-6 digits), and/or HID Proximity cards. 500 scheduled events and 35,000 event audit log.**

**SPECIFICATIONS:**



Door Thickness: Fits 1 5/8" to 1 7/8". Other thickness, please consult factory

Backset: 2 3/4" (2 3/8" also available)

Strike: 1 1/8" x 2 3/4" T strike & 1 1/4" x 4 7/8" ASA strike included

Latchbolt: UL Listed, fire rated 3 hours, 1/2" throw reversible

Handing: Non-handed

Power: 4 C-cell batteries (included)

Door prep: Standard ANSI A115 Series prep, modified by adding additional through-bolt holes

Compliances: BHMA Certified Grade 1 heavy duty cylindrical lockset. UL listed UL Listed 10C Positive Pressure Specification. FCC Certified. ADA compliant levers

Cylinder: 6 pin solid brass, SC1 keyway, furnished with all key override locks. Schlage, Corbin-Russwin CL, Sargent 480 series, ASSA 65-611 & Lori cylinders can also be used with HW620 tailpiece (supplied)

Interchangeable Core Models: Standard model accepts 6 & 7 pin cylinders from Best, Falcon, Arrow, KSP, Medeco Keymark & Kaba Peaks. IC core models prepped for 6 & 7 pin Yale, Medeco, Sargent, Corbin-Russwin & Schlage are also available

**Extended sizes:**  
Standard and SFIC cylinder preps can be extended for thicker doors.

**\$165.00 add on to list for extended lock.**

Extended lock legend:  
W54 - 2 1/8"  
W57 - 2 1/4"  
W60 - 2 3/8"  
W64 - 2 1/2"  
W70 - 2 3/4"  
W76 - 3"  
W83 - 3 1/4"  
W89 - 3 1/2"

Note: Locks can be adjusted by +/- 1/8" by adding or removing spacers.

**ALL NETWORKX LOCKS ARE WEATHER RESISTANT**

**PLEASE CHECK WITH FACTORY FOR LEAD TIMES ON SPECIAL FINISHES AND IC PREPS**

PRODUCT	FINISH	LIST PRICE
PL6100	26D	\$1,864.00
Standard key override	10B	\$1,936.00
PL6175		
Standard Key override	26D	\$1,890.00
Regal (curved)	10B	\$1,951.00
PL6100IC*	26D	\$1,879.00
Interchangeable core	10B	\$1,946.00
PL6175IC*		
Interchangeable core	26D	\$1,962.00
Regal (curved)	10B	\$2,060.00
AL-IME	Ethernet connected gateway w/AC adapter to plug into standard wall outlet	\$510.00
AL-IM80211	Wi-Fi gateway to connect to 802.11 network w/AC adapter to plug into standard wall outlet.	\$710.00
AL-IMEPOEP	Power Over Ethernet, plus hardwire gateway interface capability. No AC Power required.	\$610.00
AL-PRE	Prox Card Enroller	\$590.00
ALHID1326	Proximity Access Cards 100 Per Box	\$505.00
ALHID1336	Proximity, Magnetic Stripe and Photo ID cards 100 per box	\$1,030.00
ALHID1386	Proximity and Photo ID Card 100 per box	\$927.00
ALHID1391	MicroProx Tag 10 per box	\$82.00
ALHID1346	Proximity keyfob 10 per box	\$118.00
S6196	Networkx Replacement Battery Pack	\$45.00

\*Add "C" for Corbin, "M" for Medeco, "R" for Sargent, "Y" for Yale and "S" for Schlage to end of the part number for specially prepped IC core models. Add \$15.00 to the list price shown above. \*\*MUST SPECIFY 7 PIN FOR CORBIN AND YALE\*\*

**Networkx training options available. See page 45 for details.**



## Price Book 2017

### TRILOGY NETWORKX ELECTRONIC DIGITAL MORTISE LOCKS

**DL6500 SERIES – Digital mortise lock supporting 5,000 PIN user codes (3-6 digits), 500 scheduled events and 35,000 event audit log.**

**SPECIFICATIONS:**

Door Thickness: Fits 1 3/8" to 1 7/8" (4.46cm).  
 Backset: 2 3/4" standard  
 Strike: 1 1/4" x 4 7/8" strike included  
 Handing: Specify RH or LH when ordering, lock is reversible  
 In the field  
 Power: 4 C- cell batteries (included)  
 Keypad: All metal, 12 button. Basic functions programmed through keypad.  
 Door prep: Standard ANSI A115 Mortise prep, modified by adding additional through-bolt holes  
 Compliances: Steelcase lock body meets BHMA specifications For Grade 1 locks. UL listed to the 10C Positive Pressure Specification. FCC Certified. ADA compliant levers  
 Functions: Classroom function feature stainless steel latchbolt With 3/4" (1.91cm) projection and deadlocking latch.  
 Cylinder: 1 3/8" (3.5cm) mortise cylinder supplied. Will Accept 1 3/8" to 1 1/2" (3.5 – 3.82cm) mortise Cylinder. Classroom function supplied with straight Cam.  
 Cams: Cams for other manufacturer's cylinders are available See "Mortise Lock accessories" for part numbers & Manufacturers



**ALL DL6500 MORTISE LOCKS ARE WEATHER-RESISTANT**

**PLEASE CHECK WITH FACTORY ON LEAD TIMES FOR SPECIAL FINISHES**

PRODUCT	FINISH	LIST PRICE
DL6500CRR		
Straight lever classroom function	26D	\$1,586.00
Right hand	10B	\$1,658.00
DL6500CRL		
Straight lever classroom function	26D	\$1,586.00
Left Hand	10B	\$1,658.00
DL6575CRR		
Regal (curved) lever classroom	26D	\$1,601.00
Function right hand	10B	\$1,673.00
DL6575CRL		
Regal (curved) lever classroom	26D	\$1,601.00
Function left hand	10B	\$1,673.00

**Networkx training options available. See page 45 for details.**



## Price Book 2017

### TRIOLOGY NETWORKX ELECTRONIC DIGITAL MORTISE LOCKS (con't)

AL-IME	Ethernet connected gateway w/AC adapter to plug into standard wall outlet	\$510.00
AL-IM80211	Wi-Fi gateway to connect to 802.11 network w/AC adapter to plug into standard wall outlet.	\$710.00
AL-IMEPOEP	Power Over Ethernet, plus hardwire gateway interface capability. No AC Power required.	\$610.00
ALTRAINDVD	Trilogy DL-Windows and Networkx Connectivity software training videos divided into 4 easy to follow sections conducted into a classroom style environment. Training videos cover basics, getting started, schedules and times zones, programming Trilogy locks via a laptop and the DTM along with how to connect and bring Networkx on line.	\$0.00 + \$15.95 shipping and handling charge. Please contact customer service at 1-800-ALA-LOCK to place your order via credit card, or email sales@alarmlock.com
AL-IME-USB	USB Gateway	\$300.00
AL-NSG	Networkx Signal Generator	\$240.00
AL-NSM	Networkx Signal Meter	\$296.00

### MORTISE LOCK PARTS

CLASSROOM FUNCTION CAMS	DESCRIPTION	LIST PRICE
HW956-L	Alarm Lock Standard Straight Cam	\$5.00
HW956-M	Marks Straight Cam	\$5.00
HW956-C	Corbin-Russwin Straight Cam	\$5.00
HW956-S	Schlage Straight Cam	\$5.00
HW956-A	Arrow Straight Cam	\$5.00
HW956-R	Sargent Straight Cam	\$5.00
S6175	Replacement lever support spring	\$5.00
S6192	Lever and spring upgrade kit Standard lever – 26D, 10B	\$54.00
S6193	Lever and spring upgrade kit Regal lever – 26D, 10B	\$80.00
HW870CRL	Left Hand Classroom lock body	\$171.00
HW875CRR	Right hand Classroom lock body	\$171.00
S6196	Networkx Replacement Battery Pack	\$45.00

**Networkx training options available. See page 45 for details.**





## Price Book 2017

### TRILOGY NETWORK ELECTRONIC PROXIMITY DIGITAL MORTISE LOCKS

**PDL6500/PL6500/PDL6600 – Prox and Digital mortise lock supporting 5,000 PIN user codes (3-6 digits) and HID Proximity cards. 500 scheduled events and 35,000 event audit log.**

#### SPECIFICATIONS:

Door Thickness: Fits 1 3/8" to 1 7/8" (4.46cm).  
 Backset: 2 3/4" standard  
 Strike: 1 1/4" x 4 7/8" strike included  
 Handing: Specify RH or LH when ordering, lock is reversible  
 In the field  
 Power: 4 C- cell batteries (included)  
 Keypad: All metal, 12 button. Basic functions programmed through keypad.  
 Door prep: Standard ANSI A115 Mortise prep, modified by adding additional through-bolt holes  
 Compliances: Steelcase lock body meets BHMA specifications For Grade 1 locks. UL listed to the 10C Positive Pressure Specification. FCC Certified. ADA compliant levers  
 Functions: Classroom function feature stainless steel latchbolt With 3/4" (1.91cm) projection and deadlocking latch.  
 Cylinder: 1 3/8" (3.5cm) mortise cylinder supplied. Will Accept 1 3/8" to 1 1/2" (3.5 – 3.82cm) mortise Cylinder. Classroom function supplied with straight Cam.  
 Cams: Cams for other manufacturer's cylinders are available See "Mortise Lock accessories" for part numbers & Manufacturers

**\*Note:  
 PDL6600-  
 Request to exit  
 (REX); real time  
 when integrated  
 with CIC, Lenel,  
 Stanley B.A.S.I.S.  
 When used on  
 Network; sound  
 at door, will  
 record on audit  
 trail. Must pull  
 audit log to view.**



**ALL PDL6500 MORTISE LOCKS ARE WEATHER-RESISTANT  
 PLEASE CHECK WITH FACTORY ON LEAD TIMES FOR SPECIAL FINISHES**

PRODUCT	FINISH	LIST PRICE
PDL6500CR (L) or (R) Straight lever classroom function Specify left or Right Handing	26D 10B	\$1,951.00 \$2,018.00
PDL6600CR (L) or (R) Straight lever classroom function Specify left or Right Handing w/door position switch	26D 10B	\$2,003.00 \$2,070.00
PDL6575CRR Regal (curved) lever classroom Function right hand	26D 10B	\$1,967.00 \$2,034.00
PDL6575CRL Regal (curved) lever classroom Function left hand	26D 10B	\$1,967.00 \$2,034.00
PL6500CRR (prox only) Straight lever classroom function Right hand	26D 10B	\$1,951.00 \$2,018.00
PL6500CRL (prox only) Straight lever classroom function Left Hand	26D 10B	\$1,951.00 \$2,018.00
PL6575CRR (prox only) Regal (curved) lever classroom Function right hand	26D 10B	\$1,967.00 \$2,034.00
PL6575CRL (prox only) Regal (curved) lever classroom Function left hand	26D 10B	\$1,967.00 \$2,034.00



**Price Book 2017**

**TRIOLOGY NETWORKX ELECTRONIC DIGITAL MORTISE LOCKS (con't)**

AL-IME	Ethernet connected gateway w/AC adapter to plug into standard wall outlet	\$510.00
AL-IM80211	Wi-Fi gateway to connect to 802.11 network w/AC adapter to plug into standard wall outlet.	\$710.00
AL-IMEPOEP	Power Over Ethernet, plus hardwire gateway interface capability. No AC Power required.	\$610.00
AL-PRE	Prox Card Enroller	\$590.00
ALHID1326	Proximity Access Cards 100 Per Box	\$505.00
ALHID1336	Proximity, Magnetic Stripe and Photo ID cards 100 per box	\$1,030.00
ALHID1386	Proximity and Photo ID Card 100 per box	\$927.00
ALHID1391	MicroProx Tag 10 per box	\$82.00
ALHID1346	Proximity keyfob 10 per box	\$118.00
ALTRAINDVD	Trilogy DL-Windows and Networkx Connectivity software training videos divided into 4 easy to follow sections conducted into a classroom style environment. Training videos cover basics, getting started, schedules and times zones, programming Trilogy locks via a laptop and the DTM along with how to connect and bring Networkx on line.	\$0.00 + \$15.95 shipping and handling charge. Please contact customer service at 1-800-ALA-LOCK to place your order via credit card, or email sales@alarmlock.com
AL-IME-USB	USB Gateway	\$300.00
AL-NSG	Networkx Signal Generator	\$240.00
AL-NSM	Networkx Signal Meter	\$296.00

**MORTISE LOCK PARTS**

CLASSROOM FUNCTION CAMS	DESCRIPTION	LIST PRICE
HW956-L	Alarm Lock Standard Straight Cam	\$5.00
HW956-M	Marks Straight Cam	\$5.00
HW956-C	Corbin-Russwin Straight Cam	\$5.00
HW956-S	Schlage Straight Cam	\$5.00
HW956-A	Arrow Straight Cam	\$5.00
HW956-R	Sargent Straight Cam	\$5.00
S6175	Replacement lever support spring	\$5.00
S6192	Lever and spring upgrade kit Standard lever – 26D, 10B	\$54.00
S6193	Lever and spring upgrade kit Regal lever – 26D, 10B	\$80.00
HW870CRL	Left Hand Classroom lock body	\$171.00
HW875CRR	Right hand Classroom lock body	\$171.00
S6196	Networkx Replacement Battery Pack	\$45.00

**Networkx training options available. See page 45 for details.**



## Price Book 2017

### TRILOGY NETWORKX iCLASS w/REX & DPS PROXIMITY DIGITAL LOCKS

**PDL8200 SERIES** — Prox and digital cylindrical lock supporting 5,000 PIN user codes (3-6 digits), and a 13.56 MHz iClass smart card proximity reader. 500 scheduled events and 35,000 event audit log.

#### SPECIFICATIONS:



**Request to exit (REX); real time when integrated with CIC, Lenel, Stanley B.A.S.I.S. When used on Networkx; sound at door, will record on audit trail. Must pull audit log to view.**

Door Thickness: Fits 1 5/8" to 1 7/8". Other thickness, please consult factory  
 Backset: 2 3/4" (2 3/8" also available)  
 Strike: 1 1/8"x 2 3/4" T strike & 1 1/4" x 4 7/8"  
 ASA strike included  
 Latchbolt: UL Listed, fire rated 3 hours, 1/2" throw reversible  
 Handing: Non-handed  
 Power: 4 C-cell batteries (included)  
 Keypad: All metal, 12 button. Basic functions programmed through the keypad.  
 Door prep: Standard ANSI A115 Series prep, modified by adding additional through-bolt holes  
 Compliances: BHMA Certified Grade 1 heavy duty cylindrical lockset. UL listed UL Listed 10C Positive Pressure Specification. FCC Certified. ADA compliant levers  
 Cylinder: 6 pin solid brass, SC1 keyway, furnished with all key override locks. Schlage, Corbin-Russwin CL, Sargent 480 series, ASSA 65-611 & Lori cylinders can also be used with HW620 tailpiece (supplied)  
 Interchangeable Core Models: Standard model accepts 6 & 7 pin cylinders from Best, Falcon, Arrow, KSP, Medeco Keymark & Kaba Peaks. IC core models prepped for 6 & 7 pin Yale, Medeco, Sargent, Corbin-Russwin & Schlage are also available

**Extended sizes:**  
 Standard and SFIC cylinder preps can be extended for thicker doors.  
**\$165.00 add on to list for extended lock.**  
 Extended lock legend:  
 W54 - 2 1/8"  
 W57 - 2 1/4"  
 W60 - 2 3/8"  
 W64 - 2 1/2"  
 W70 - 2 3/4"  
 W76 - 3"  
 W83 - 3 1/4"  
 W89 - 3 1/2"  
 Note: Locks can be adjusted by +/- 1/8" by adding or removing spacers.

#### ALL NETWORKX LOCKS ARE WEATHER RESISTANT

#### PLEASE CHECK WITH FACTORY FOR LEAD TIMES ON SPECIAL FINISHES AND IC PREPS

PRODUCT	FINISH	LIST PRICE
PDL8200	26D	\$2,018.00
Standard key override	10B	\$2,090.00
PDL8275		
Standard Key override	26D	\$2,044.00
Regal (curved)	10B	\$2,106.00
PDL8200IC*	26D	\$2,034.00
Interchangeable core	10B	\$2,101.00
PDL8275IC*	26D	\$2,054.00
Interchangeable core Regal (curved)	10B	\$2,116.00
AL-IME	Ethernet connected gateway w/AC adapter to plug into standard wall outlet	\$510.00
AL-IM80211	Wi-Fi gateway to connect to 802.11 network w/AC adapter	\$710.00
AL-IMEPOEP	Power Over Ethernet, plus hardware gateway interface capability. No AC Power required.	\$610.00
AL-PRE	Prox Card Enroller	\$590.00
ALHID1326	Proximity Access Cards 100 Per Box	\$505.00
ALHID1336	Proximity, Magnetic Stripe and Photo ID cards 100 per box	\$1,030.00
ALHID1386	Proximity and Photo ID Card 100 per box	\$927.00
ALHID1391	MicroProx Tag 10 per box	\$82.00
ALHID1346	Proximity keyfob 10 per box	\$118.00
S6196	Networkx Replacement Battery Pack	\$45.00
AL-IME-USB	USB Gateway	\$300.00
AL-NSG	Networkx Signal Generator	\$240.00
AL-NSM	Networkx Signal Meter	\$296.00

\*Add "C" for Corbin, "M" for Medeco, "R" for Sargent, "Y" for Yale and "S" for Schlage to end of the part number for specially prepped IC core models. Add \$15.00 to the list price shown above. Note\*\*MUST SPECIFY 7 PIN FOR CORBIN AND YALE\*\*



**Price Book 2017**

**TRILOGY NETWORKX ELECTRONIC iCLASS PROXIMITY DIGITAL MORTISE LOCKS  
w/REX & DPS**

**PDL8600 – iClass Prox and Digital mortise lock supporting 5,000 PIN user codes (3-6 digits) with a 13.56 MHz iClass smart card proximity reader. 500 scheduled events and 35,000 event audit log.**

**SPECIFICATIONS:**

- Door Thickness: Fits 1 3/8" to 1 7/8" (4.46cm).
- Backset: 2 3/4" standard
- Strike: 1 1/4" x 4 7/8" strike included
- Handing: Specify RH or LH when ordering, lock is reversible  
In the field
- Power: 4 C- cell batteries (included)
- Keypad: All metal, 12 button. Basic functions programmed through keypad.
- Door prep: Standard ANSI A115 Mortise prep, modified by adding additional through-bolt holes
- Compliances: Steelcase lock body meets BHMA specifications For Grade 1 locks. UL listed to the 10C Positive Pressure Specification. FCC Certified. ADA compliant levers
- Functions: Classroom function feature stainless steel latchbolt With 3/4" (1.91cm) projection and deadlocking latch.
- Cylinder: 1 3/8" (3.5cm) mortise cylinder supplied. Will Accept 1 3/8" to 1 1/2" (3.5 – 3.82cm) mortise Cylinder. Classroom function supplied with straight Cam.
- Cams: Cams for other manufacturer's cylinders are available See "Mortise Lock accessories" for part numbers & Manufacturers

**\*Note:**  
Request to exit (REX); real time when integrated with CIC, Lenel, Stanley B.A.S.I.S. When used on Networkx; sound at door, will record on audit trail. Must pull audit log to view.



**ALL PDL8600 MORTISE LOCKS ARE WEATHER-RESISTANT  
PLEASE CHECK WITH FACTORY ON LEAD TIMES FOR SPECIAL FINISHES**

PRODUCT	FINISH	LIST PRICE
PDL8600CRR		
Straight lever classroom function	26D	\$2,106.00
Right Hand	10B	\$2,173.00
PDL8600CRL		
Straight lever classroom function	26D	\$2,106.00
Left Hand	10B	\$2,173.00
PDL8675CRR		
Regal (curved) lever classroom	26D	\$2,121.00
Function right hand	10B	\$2,188.00
PDL8675CRL		
Regal (curved) lever classroom	26D	\$2,121.00
Function left hand	10B	\$2,188.00
PL8600CRR (prox only)		
Straight lever classroom function	26D	\$2,106.00
Right hand	10B	\$2,173.00
PL8600CRL (prox only)		
Straight lever classroom function	26D	\$2,106.00
Left Hand	10B	\$2,173.00
PL8675CRR (prox only)		
Regal (curved) lever classroom	26D	\$2,121.00
Function right hand	10B	\$2,188.00
PL8675CRL (prox only)		
Regal (curved) lever classroom	26D	\$2,121.00
Function left hand	10B	\$2,188.00



**Price Book 2017**

**TRILOGY NETWORX ELECTRONIC DIGITAL MORTISE LOCKS (con't)**

AL-IME	Ethernet connected gateway w/AC adapter to plug into standard wall outlet	\$510.00
AL-IM80211	Wi-Fi gateway to connect to 802.11 network w/AC adapter to plug into standard wall outlet.	\$710.00
AL-IMEPOEP	Power Over Ethernet, plus hardwire gateway interface capability. No AC Power required.	\$610.00
AL-PRE	Prox Card Enroller	\$590.00
ALHID1326	Proximity Access Cards 100 Per Box	\$505.00
ALHID1336	Proximity, Magnetic Stripe and Photo ID cards 100 per box	\$1,030.00
ALHID1386	Proximity and Photo ID Card 100 per box	\$927.00
ALHID1391	MicroProx Tag 10 per box	\$82.00
ALHID1346	Proximity keyfob 10 per box	\$118.00
ALTRAINDVD	Trilogy DL-Windows and Networx Connectivity software training videos divided into 4 easy to follow sections conducted into a classroom style environment. Training videos cover basics, getting started, schedules and times zones, programming Trilogy locks via a laptop and the DTM along with how to connect and bring Networx on line.	\$0.00 + \$15.95 shipping and handling charge. Please contact customer service at 1-800-ALA-LOCK to place your order via credit card, or email sales@alarmlock.com
AL-IME-USB	USB Gateway	\$300.00
AL-NSG	Networx Signal Generator	\$240.00
AL-NSM	Networx Signal Meter	\$296.00

**MORTISE LOCK PARTS**

CLASSROOM FUNCTION CAMS	DESCRIPTION	LIST PRICE
HW956-L	Alarm Lock Standard Straight Cam	\$5.00
HW956-M	Marks Straight Cam	\$5.00
HW956-C	Corbin-Russwin Straight Cam	\$5.00
HW956-S	Schlage Straight Cam	\$5.00
HW956-A	Arrow Straight Cam	\$5.00
HW956-R	Sargent Straight Cam	\$5.00
S6175	Replacement lever support spring	\$5.00
S6192	Lever and spring upgrade kit Standard lever – 26D, 10B	\$54.00
S6193	Lever and spring upgrade kit Regal lever – 26D, 10B	\$80.00
HW870CRL	Left Hand Classroom lock body	\$171.00
HW875CRR	Right hand Classroom lock body	\$171.00
S6196	Networx Replacement Battery Pack	\$45.00

**Networx training options available. See page 45 for details.**

**Price Book 2017**

**NEW TRILOGY NETWORKX ACCESSORIES**



AL-IME2	Ethernet connected gateway w/AC adapter to plug into standard wall outlet. Version 2 - allow use of expander	\$475.00
AL-IM2-80211	Wi-Fi gateway to connect to 802.11 network w/AC adapter to plug into standard wall outlet. Version 2 - allow use of expander	\$675.00
AL-IME2-POEP	Power Over Ethernet, plus hardwire gateway interface capability. No AC Power required. Version 2 - allow use of expander	\$575.00
AL-IME2-EXP	Wireless expander designed to expand the coverage area of version 2 gateways. AC power required. Up to 7 expanders per version 2 gateway	\$250.00
AL-IME2-PIE	Plug-in wireless expander designed to expand the coverage area of version 2 gateways. Plugs into a standard AC outlet. Up to 7 expanders per version 2 gateway	\$250.00

Note: AL-IME2-EXP and AL-IME2-PIE will only work with v2 gateways

**Networkx training options available. See page 45 for details.**



## Price Book 2017

### TRILOGY NETWORKX EXIT TRIM PRODUCTS

Battery operated Trilogy outside trim works with Marks M9900, Von Duprin 99, Corbin ED5000, Yale 7100, Dorma 9300, Arrow 3800, Sargent 8888, Precision 1100, 2100 & Cal Royal 9800 series panic devices. Available in DL series (keypad) or PDL (prox/keypad) formats. Features include 5,000 user codes, 500 scheduled events and 35,000 event audit log.

#### SPECIFICATIONS:

Cylinder:	Uses standard rim cylinder to operate key override function. Will accept 6 or 7 pin interchangeable core cylinders – see below.
Handing:	Non-handed
Power:	4 C-cell batteries (included) mounted on inside of door.
Keypad:	Weather-resistant all metal, 12 button. Basic functions Programmable through the keypad. PDL version proximity antenna housing molded of ultra high strength, impact resistant Lexan®



### ALL ET SERIES LOCKS ARE WEATHER-RESISTANT

PLEASE CHECK WITH FACTORY FOR LEAD TIMES ON SPECIAL FINISHES

PRODUCT	DESCRIPTION	LIST PRICE
ETDLN series	26D Finish	\$1,426.00
ETDLN series	10B Finish	\$1,493.00
ETDLN series w/Regal lever	26D Finish	\$1,447.00
ETDLN series w/Regal lever	10B Finish	\$1,503.00
ETPDN series	26D Finish	\$1,766.00
ETPDN series	10B Finish	\$1,828.00
ETPDN series w/Regal lever	26D Finish	\$1,781.00
ETPDN series w/Regal lever	10B Finish	\$1,843.00
ETPDNSRX w/REX and DPS	26D Finish	\$1,817.00
ETPDNISRX iClass w/REX and DPS	26D Finish	\$1,917.00
ETPLN series	26D Finish	\$1,766.00
	10B Finish	\$1,828.00
ETPLN series w/Regal lever	26D Finish	\$1,781.00
	10B Finish	\$1,843.00
Specify finish on adapter kit ET- AL Finish = 26D & US10B	Alarm Lock Standard Rim Cylinder Adapter kit (Schlage C keyway)	\$57.00
ET- AR Finish = 26D & US10B	Arrow Standard Rim Cylinder Adapter kit	\$57.00
ET- AS Finish = 26D & US10B	ASSA Standard Rim Cylinder Adapter kit	\$57.00
ET - C Finish = 26D & US10B	Corbin Standard Rim Cylinder Adapter kit	\$57.00
ET - M Finish = 26D & US10B	Medeco Standard Rim Cylinder Adapter kit	\$57.00
ET - R Finish = 26D & US10B	Sargent Standard Rim Cylinder Adapter kit	\$57.00
ET - S Finish = 26D & US10B	Schlage Standard Rim Cylinder Adapter kit	\$57.00
ET - Y Finish = 26D & US10B	Yale Standard Rim Cylinder Adapter kit	\$57.00
ET - ARIC Finish = 26D & 10B	Arrow IC 6 & 7 Pin Rim Cylinder Adapter kit	\$79.00
ET - BIC Finish = 26D & US10B	Best IC 6 & 7 Pin Rim Cylinder Adapter kit	\$79.00
ET - CIC Finish = 26D & US10B	Corbin IC Rim Cylinder Adapter kit	\$79.00
ET - MIC Finish = 26D & US10B	Medeco IC 6 & 7 Pin Rim Cylinder Adapter kit	\$79.00



**Price Book 2017**

**TRILOGY NETWOX EXIT TRIM PRODUCTS (CONT'D)**

Product	Description	LIST PRICE
ET - RIC Finish = 26D, 10B	Sargent IC Rim Cylinder Adapter kit	\$79.00
ET - SIC Finish = 26D, 10B	Schlage IC Rim Cylinder Adapter kit	\$79.00
ET - YIC Finish = 26D, 10B	Yale IC 6 Pin Rim Cylinder Adapter kit	\$79.00
AL-IME	Ethernet connected gateway w/AC adapter to plug into standard wall outlet	\$510.00
AL-IM80211	Wi-Fi gateway to connect to 802.11 network w/AC adapter to plug into standard wall outlet.	\$710.00
AL-IMEPOEP	Power Over Ethernet, plus hardware gateway interface capability. No AC Power required.	\$610.00
AL-PRE	Prox Card Enroller	\$590.00
ALHID1326	Proximity Access Cards 100 Per Box	\$505.00
ALHID1336	Proximity, Magnetic Stripe and Photo ID cards 100 per box	\$1,030.00
ALHID1386	Proximity and Photo ID Card 100 per box	\$927.00
ALHID1391	MicroProx Tag 10 per box	\$82.00
ALHID1346	Proximity keyfob 10 per box	\$118.00
S6196	Networx Replacement Battery Pack	\$45.00
S6190	Exit Trim Service Kit	\$151.00
S6191	Lever and spring upgrade kit Standard lever – 26D, 10B	\$61.00
S6193	Lever and spring upgrade kit Regal lever – 26D, 10B	\$78.00

**NETWORX EXIT TRIM KITS W/MARKS M9900 PANIC BAR**

PRODUCT	DESCRIPTION	LIST PRICE
ETDLN-M99K	26D Finish	\$1,850.00
ETPDN-M99K	26D Finish	\$2,190.00

**TRILOGY EXIT TRIM PRODUCTS PARTS**

**EXTENDED SPINDLES MUST BE PURCHASED SEPARATELY**

S6146 Extended Spindle and screws	Extend exit trim to fit 2 – 2 3/4" doors	\$112.00
S6147 Extended Spindle and screws	Extend exit trim to fit 3 – 4" doors	\$112.00
S6195 Extended Spindle and screws	Extend exit trim to fit 4 1/4 - 5" doors	\$112.00
SC544	Extended replacement screws with adjustable lengths (4 per unit)	\$21.00

**PLEASE SEE "HOW TO ORDER" CHART ON PAGE 46 TO PROPERLY ORDER YOUR TRILOGY EXIT TRIM.**

**IF YOU REQUIRE THE LOCK TO BE PREPPED FOR A THICKER DOOR, YOU MUST ORDER BASED ON THE SELECTIONS SHOWN. THE BASIC MODEL IS PREPPED FOR A 1 5/8" TO 1 7/8" DOOR.**

**\*\*\*\* PRECISION 2100 SERIES WILL WORK WITH THE VON DUPRIN 99 PREP. YOU MUST GET A MOUNTING PLATE PART # 2141208 FROM PRECISION\*\*\*\***



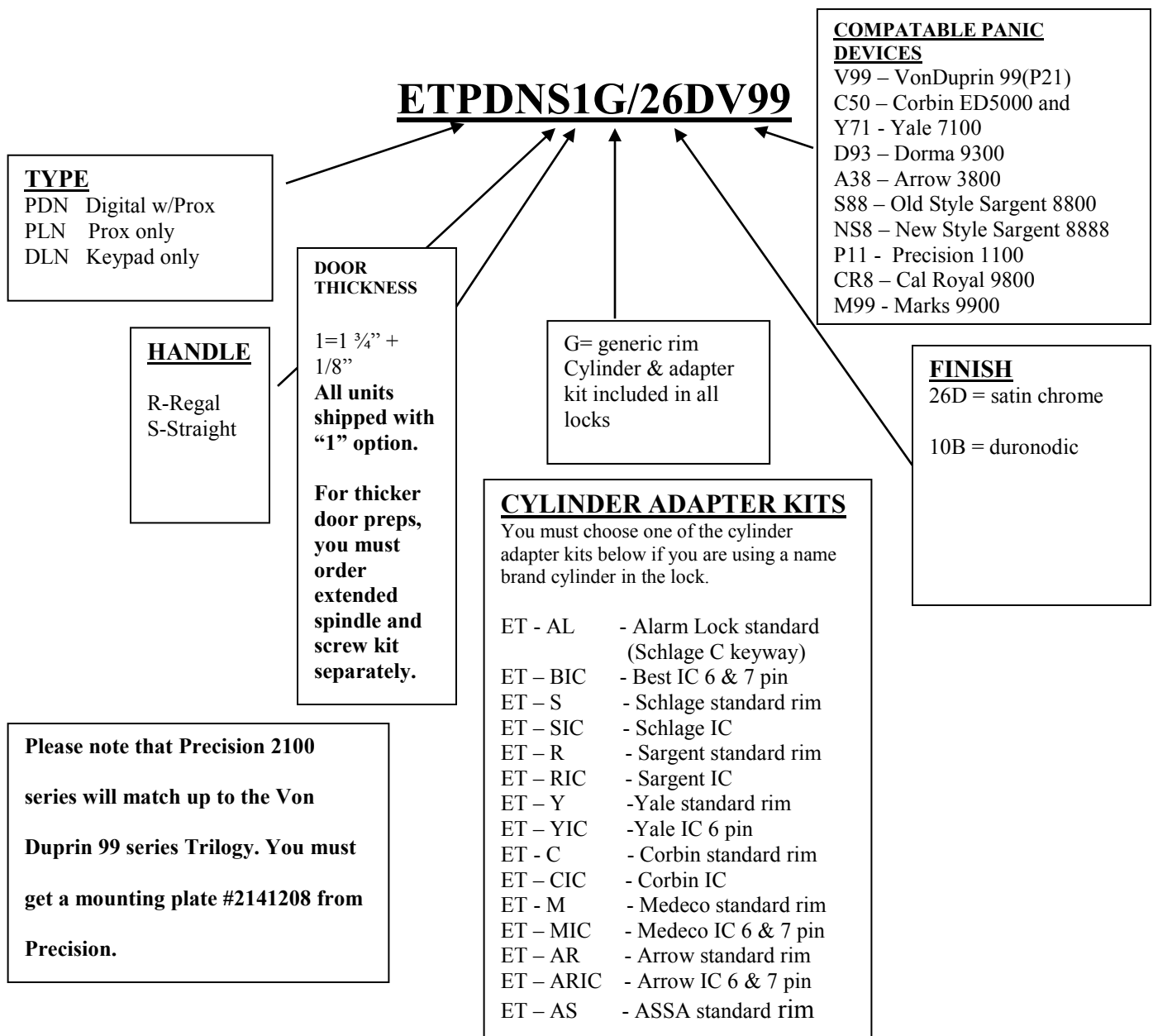


Price Book 2017

## HOW TO ORDER YOUR TRILOGY NETWORKX EXIT LOCK

Below is a “How to Order” guide for the Trilogy Exit Trim products. Please follow this guide when placing orders to avoid any delay in processing your order.

**All units are sold with a generic cylinder adapter installed. When you are using a specific brand of rim cylinder, you must purchase a Cylinder Adapter Kit from the chart below.**





**Price Book 2017**

**TRILOGY NETWORKX WIRELESS KEYPADS AND NETPANEL**

Trilogy Networkx Wireless Keypads and Netpanel combine to provide the ideal wireless keypad solution for use with mag locks, strikes and electrified exit devices in a smart access system with advanced features and functions, like automatic schedules, event logs and supports for 2000 doors and 5000 existing Prox ID Cards/Badges.

**SPECIFICATIONS:**

**Networkx Keypads NETDK / NETPDK**

- Power Requirements: 12VDC supplied by NETWORKXPANEL
- Idle Current: 10mA
- Maximum Wire Length: 200 feet (61m)
- Proximity Card Formats Supported: Alarm Lock
- standard 36 bit format or HID standard 26 bit format (for use with the model NETPDK only)

**Networkx Panel NETWORKXPANEL**

- Input Power: 16.5VAC via Class 2 Plug-In 50VA Transformer (supplied model TRF-14)
- Maximum Lock Power Output Current: 1.5A @12VDC
- Maximum Wiegand Power Output Current: 250mA @ 12VDC
- Maximum Wiegand Red and Green LED Current: 20mA each output
- Maximum Sounder Current: 100mA
- Maximum Keypad Power Output Current: 200mA@ 12VDC
- Primary and Secondary Relays: SPDT Form C, N/O, N/C 8A @ 30VAC or VDC
- Supplied Backup Battery: Sealed Lead Acid 4AH
- Battery Backup Time: Approximately 2 hours at full load



**Note: In order for NETDK OR NETPDK to operate you MUST include a NETWORKXPANEL**

**ALL NETDK/PDK KEYPADS ARE WEATHER RESISTANT**

PRODUCT	FINISH	LIST PRICE
NETDK Digital wireless keypad only	26D, 10B	\$309.00
NETPDK Digital & Prox wireless keypad only	26D, 10B	\$633.00
NETDKPAK Digital wireless wall mounted keypad kit, includes wall mounted reader, control panel w/door position switch with RX, remote release, battery backup and plug in transformer.	26D, 10B	\$1,050.00
NETPDKPAK Digital & HID wireless wall mounted keypad kit, includes wall mounted reader, control panel w/door position switch with RX, remote release, battery backup and plug in transformer.	26D, 10B	\$1,375.00



**Price Book 2017**

**TRILOGY NETWORKX WIRELESS KEYPADS AND NETPANEL (con't)**

NETWORXPANEL	NETWORKX wireless control panel only, used with Networkx NETDK and NETPDK readers and approved wiegand input readers.	\$741.00
NETHIDNSPAK Networkx Narrow Stile Pak	HID Narrow Stile Prox point reader, control panel w/door position switch with RX, remote release, and battery backup and plug in transformer.	\$957.00
NETHIDNS Networkx Narrow Stile Reader	HID Narrow Stile Prox Point Reader Only	\$157.00
AL-IME	Ethernet connected gateway w/AC adapter to plug into standard wall outlet	\$510.00
AL-IM80211	Wi-Fi gateway to connect to 802.11 network w/AC adapter to plug into standard wall outlet.	\$710.00
AL-IMEPOEP	Power Over Ethernet, plus hardware gateway interface capability. No AC Power required.	\$610.00
AL-PRE	Prox Card Enroller	\$590.00
ALHID1326	Proximity Access Cards 100 Per Box	\$505.00
ALHID1336	Proximity, Magnetic Stripe and Photo ID cards 100 per box	\$1,030.00
ALHID1386	Proximity and Photo ID Card 100 per box	\$927.00
ALHID1391	MicroProx Tag 10 per box	\$82.00
ALHID1346	Proximity keyfob 10 per box	\$118.00
BT102	Networkx Panel Replacement Battery	\$55.00
S6187	Replacement ET Networkx Radio	\$185.00
S6185 (specify finish)	Replacement Inside Housing for DL/PDL6100 (includes radio)	\$288.00
AL-IME-USB	USB Gateway	\$300.00
AL-NSG	Networkx Signal Generator	\$240.00
AL-NSM	Networkx Signal Meter	\$296.00
ALTRAINDVD	Trilogy DL-Windows and Networkx Connectivity software training videos divided into 4 easy to follow sections conducted into a classroom style environment. Training videos cover basics, getting started, schedules and times zones, programming Trilogy locks via a laptop and the DTM along with how to connect and bring Networkx on line.	\$0.00 + \$15.95 shipping and handling charge. Please contact customer service at 1-800-ALA-LOCK to place your order via credit card, or email sales@alarmlock.com

**Networkx training options available. See page 45 for details.**



**Price Book 2017**

**TRILOGY & NETWORX REMOTE RELEASE PRODUCTS**



PRODUCT	DESCRIPTION	LIST PRICE
RR-TRILOGYKIT	Remote release kit for all Trilogy Cylindrical models includes the RR-1BUTTON for desk mount applications and RR-RECEIVER which is designed to be installed inside the battery compartment next to the battery pack of any cylindrical Trilogy lock. The RR-RECEIVER connects to the 2 white remote release wires inside the battery compartment and to the black and red battery pack wires to power the receiver. These kits will retro fit to any existing cylindrical Trilogy manufactured since 1994.	\$221.00
RR-RECEIVER	RR-RECEIVER is designed to be installed next to the battery pack of any cylindrical Trilogy lock. The RR-RECEIVER connects to the 2 white remote release wires and to the black and red battery pack wires and will retro fit to any existing cylindrical Trilogy manufactured since 1994. You will need to purchase separately either an RR-1BUTTON OR 4BKEYFOB to activate the receiver	\$128.00
RR-1BUTTON	Remote release desk mounted button designed to be used with any existing Networx lock enrolled with a simple keypad program. Must update the firmware of your existing Networx Lock. Also can be used with an RR-RECEIVER to any existing Trilogy Cylindrical Lock, RR-RECEIVER sold separately.	\$92.00
RR-4BKEYFOB	Remote release 4 button key fob designed to be used with any existing Networx lock enrolled with a simple keypad program. Must update the firmware of your existing Networx Lock. Also can be used with an RR-RECEIVER to any existing Trilogy Cylindrical Lock, RR-RECEIVER sold separately.	\$103.00
RR-MORTISEKIT RR-EXITTRIMKIT	Remote release kit for Mortise Locks Remote release kit for Exit Trim Locks *Both include RR-1BUTTON and RECEIVER mounted on a Lexan battery cover.*	\$242.00 \$242.00

**Note: The Remote Release Products follow the Networx Discount Structure. Will not work with Narrow Stile series locksets.**



**Price Book 2017**

**TRILOGY NETWORX UPGRADE KITS**

PRODUCT	DESCRIPTION	LIST PRICE
DL610026DUPGRD	Component kit to upgrade a standard Trilogy cylindrical model to a DL6100 Networx model. Kit includes a Networx outside digital keypad housing, inside housing with radio and a battery pack. Upgrade kit is designed to replace the existing and install in place same components, reusing the existing levers, cylinder, lock body & strike plate. Used with a Networx gateway purchased separately.	\$875.00
PDL610026DUPGRD	Component kit to upgrade a standard Trilogy cylindrical model to a PDL6100 Networx model. Kit includes a Networx outside HID Prox & digital keypad housing, inside housing with radio and a battery pack. Upgrade kit is designed to replace the existing and install in place same components, reusing the existing levers, cylinder, lock body & strike plate. Used with a Networx gateway purchased separately.	\$1,287.00
DL650026DUPGRD	Component kit to upgrade a standard Trilogy mortise lock model to a DL6500CR Networx model. Kit includes a Networx outside digital keypad housing, inside housing with radio, inside/outside levers and a battery pack. Upgrade kit is designed to replace the existing and install in place same components, reusing the existing cylinder, lock body & strike plate. Used with a Networx gateway purchased separately.	\$1,158.00
PDL650026DUPGRD	Component kit to upgrade a standard Trilogy mortise lock model to a PDL6500CR Networx model. Kit includes a Networx HID Prox & outside digital keypad housing, inside housing with radio, inside/outside levers and a battery pack. Upgrade kit is designed to replace the existing and install in place same components, reusing the existing, cylinder, lock body & strike plate. Used with a Networx gateway purchased separately.	\$1,493.00
PDL8200/26DUPGD	Component kit to upgrade a standard Trilogy cylindrical model to a PDL8200 iClass Networx model. Kit includes a Networx outside iClass Prox & digital keypad housing, inside housing with radio and a battery pack. Upgrade kit is designed to replace the existing and install in place same components, reusing the existing levers, cylinder, lock body & strike plate. Used with a Networx gateway purchased separately.	\$1,437.00

### ArchiTech™ Series Network Locks

Ideal access control solution; elegantly blending advanced wireless access control convenience within any decor, in attractive, infinitely customizable designer locking form, in choice of trims and finishes.



**Features:**

- 5000 Users, 500 Scheduled Events & 40,000 Event Audit Trail
- Surface-Mount or Mortised - in Electronics and Battery Pack
- Lock available in Mortise and Cylindrical versions
- Real Time Clock - Uses 4 AA Batteries – 3 to 4-year battery life
- Operated via access card, fob, key fob etc
- DL-Windows Software for programming
- USB Radio Key Programming Method or Via Network Gateways
- Manual Card Enrollment Option for Quick Installation
- Wireless programming range: up to 20 ft. from lock

**Specifications:**

- ANSI / BHMA Grade 1 Certified, UL Listed 3 Hours
- Includes standard lever rose hardware design
- Compatible with all 300+ optional architectural trim / lever or knob designs
- Stainless steel latch, 2-3/4” backset
- Auto-Reverse lock body tested to 6 million cycles
- Lock Body - Self cleaning long life motor
- Door closure monitor / electronic deadbolt monitor
- Key override standard or high-Security
- Optional integrated door position indicator switch



**Cylindrical**

Standard model ordering. Consult factory for ordering assistance.

PRODUCT	LIST PRICE
N90S2195F26D	\$880.00
N90S1195F26D	\$880.00

**ArchiTech Cylindrical Lever and Lever Prep Options**

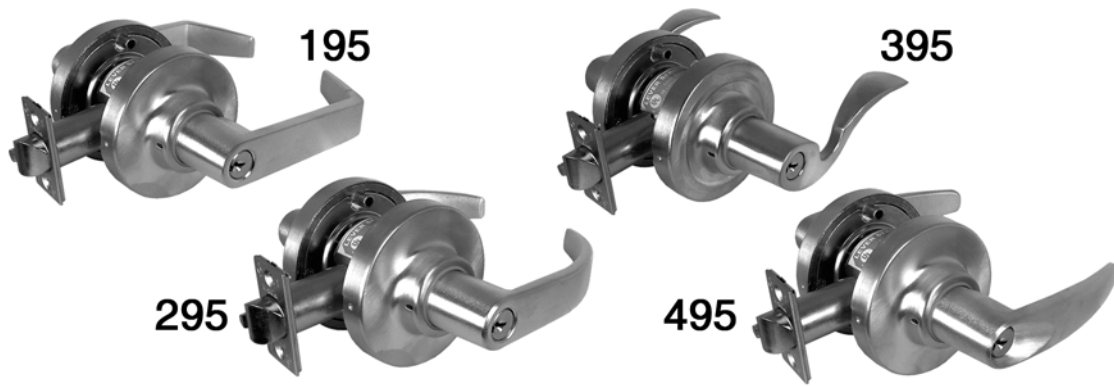
Options	195	295	395	495	Finish	Add-on	Cylinder Prep Code
Yale Conventional	Yes	No	No	No	26D, 10B	\$30.00	F7
Sargent Conventional	Yes	Yes	No	No	26D, 10B	\$30.00	F8
Corbin Conventional	Yes	Yes	No	No	26D, 10B	\$30.00	F9
Corbin 6 Pin IC	Yes	Yes	No	No	26D, 10B	\$30.00	F12
Corbin 7 Pin IC	Yes	No	No	No	26D, 10B	\$30.00	F13
Yale 6 Pin IC	Yes	Yes	No	No	26D, 10B	\$30.00	F14
Yale 7 Pin IC	Yes	No	No	No	26D, 10B	\$30.00	F15
Schlage 6 Pin IC	Yes	Yes	No	No	26D, 10B	\$30.00	F19
Sargent IC	Yes	Yes	No	No	26D, 10B	\$30.00	F20
Medeco IC (large format)	Yes	Yes	No	No	26D, 10B	\$30.00	F21

**Note: Please consult factory for availability of other finishes. Round rose place only available with cylindrical version (3.5” diameter). IC core models: tail piece included, core not included.**

**Price Book 2017**

**AtchiTech Cylindrical (con't)**

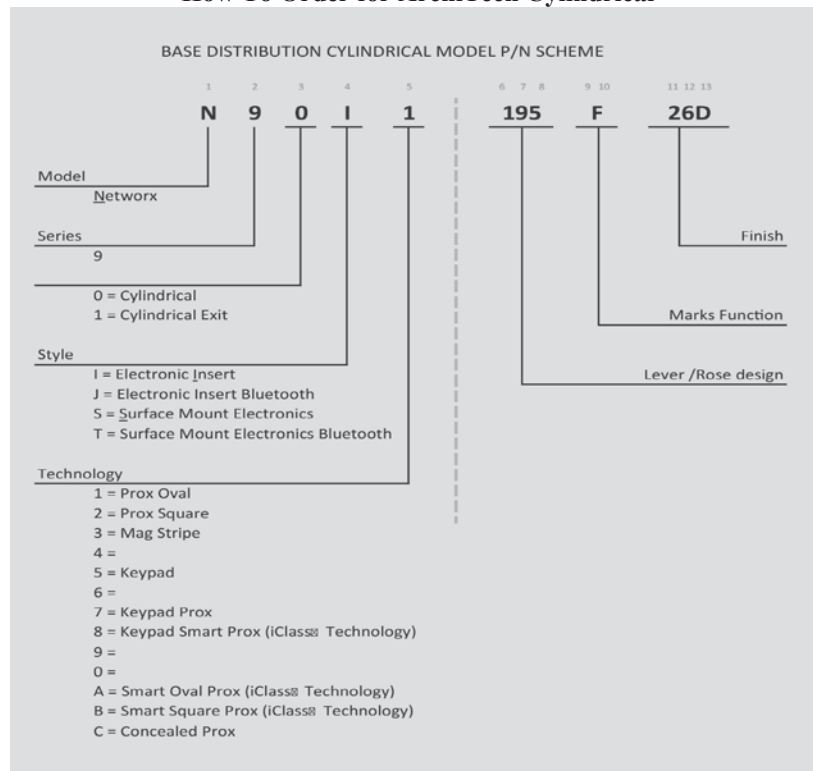
- 195: American Lever
- 295: Crescent Lever
- 395: Monaco Lever
- 495: Titan Lever



The standard list price of a standard ArchiTech cylindrical lock is \$880.00 (American Lever, SC1 keyway)

- add \$100 onto list for iClass
- add \$100 onto list for Bluetooth
- add \$50 onto list for keying

**How To Order for ArchiTech Cylindrical**





## Functions for ArchiTech Mortise Locks

**FD (Apartment)** - Latch by knob/lever either side except when outside locked by stop-button or projected deadbolt. Latch deadlocked by auxiliary latch or deadbolt. Deadbolt and latch by key outside. Deadbolt by turn piece inside. Inside knob/lever retracts latch & deadbolt simultaneously, leaving outside locked.

**EW (Storeroom)** - Latch by knob/lever inside, key outside. Outside knob/lever always rigid. Auxiliary latch deadlocks latch. Inside always open.

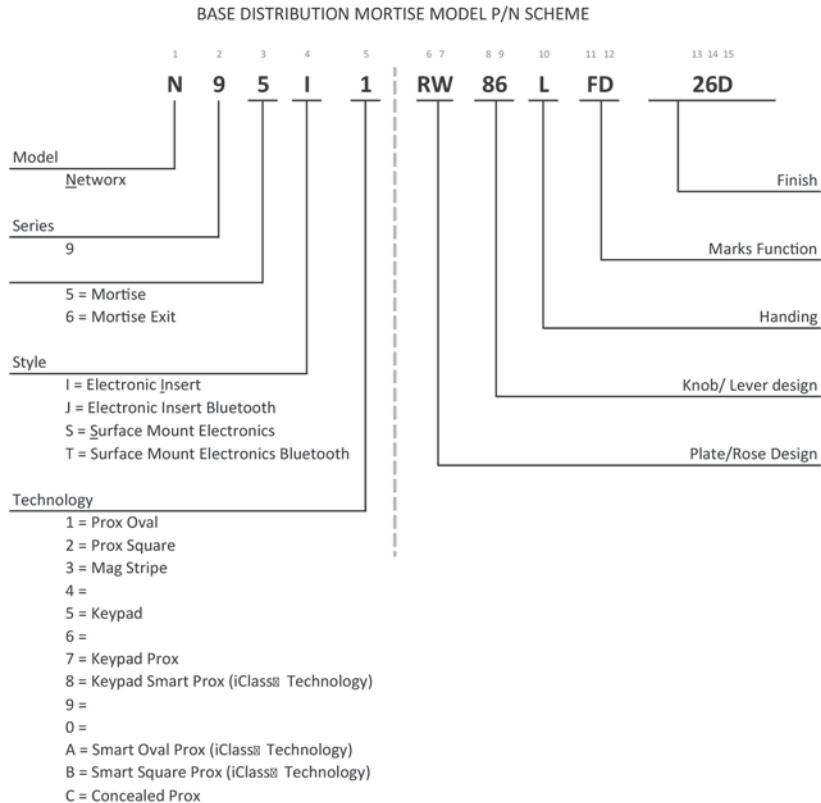
**AD (Automatic deadbolt)** - Latch deadlocked by deadbolt automatically when door closes. Deadbolt and latch by key or credential outside. Inside knob/lever retracts latch & deadbolt simultaneously, leaving outside locked.

### ArchiTech Mortise

Standard model ordering. Infinite custom models available for mortise version. Consult factory for ordering assistance.

PRODUCT	LIST PRICE
N95S2RX92FD26D	\$1,100.00
N95S1RW86FD26D	\$1,100.00

### How To Order for ArchiTech Mortise







**Price Book 2017**

**ArchiTech Series – Mortise Lockset Options**

1. Insert (N951) or Surface mount (N95S) electronics
2. Oval, square, or mag reader
3. Features: Bluetooth or iClass
4. Function: storeroom (EW), Apartment (FD), or automatic deadbolt (AD)
5. Lever style (knob is also available)
6. Rose plate style
7. If escutcheon plate will be needed (consult factory)
8. Keying needed
9. Finish - currently 26D/32D and 10B is offered. Consult factory for other finishes.

The standard list price of a standard ArchiTech mortise lock is \$1,100.00 (American Lever, round rose)

- add \$100 onto list for iClass
- add \$100 onto list for Bluetooth
- add \$50 onto list for keying
- add \$50 onto list for any other lever design other than American (92)

**Lever, knob and rose options. The code would be the number/letter underlined.**

<b>KNOBS</b>	Round Knob <u>10</u>	Ball Knob <u>20</u>	Ball Knob <u>30</u>	Eclipse Knob <u>60</u>	<b>ROSES</b>	RR: 2-9/16" dia.	
						RW: 2-9/16" dia.	
	Stanhope Lever <u>44</u>	Madison Lever <u>52</u> Specify handing	Brompton Lever <u>55</u>	Monaco Lever <u>57</u> Specify handing		RQ: 2-1/4" dia.	
						RS: 2-1/4" dia.	
Towne Lever <u>72</u>	Maxwell Lever <u>77</u>	Omni Lever <u>78</u>	Plaza Lever <u>82</u> Specify handing			RX: 2-9/16"sq.	
						RK: 2-9/16"sq.	
Dayton Lever <u>83</u> Specify handing	Crescent Lever <u>86</u>	American Lever <u>92</u>	Titan Lever <u>96</u>			Wrought	
						Forged	

**Additional notes:**

- N95S (surface mount electronics, oval, square, and swipe (mag) reader available)
- N95I (insert electronics, oval and square reader available)
- N95J (insert electronics, Bluetooth, oval and square reader available)
- N95T (surface mount electronics, Bluetooth, oval, square and swipe (mag) reader available)

### ArchiTech™ Series Network Locks Parts and Accessories

Product	DESCRIPTION	LIST PRICE
AL-IME	Ethernet connected gateway w/AC adapter to plug into standard wall outlet	\$510.00
AL-IM80211	Wi-Fi gateway to connect to 802.11 network w/AC adapter to plug into standard wall outlet.	\$710.00
AL-IMEPOEP	Power Over Ethernet, plus hardwire gateway interface capability. No AC Power required.	\$610.00
AL-IME-USB	USB Gateway	\$300.00
AL-NSM	Network Signal Meter	\$296.00
ALHID1326	Proximity Access Cards 100 Per Box	\$505.00
ALHID1336	Proximity, Magnetic Stripe and Photo ID cards 100 per box	\$1,030.00
ALHID1386	Proximity and Photo ID Card 100 per box	\$927.00
ALHID1391	MicroProx Tag 10 per box	\$82.00
ALHID1346	Proximity keyfob 10 per box	\$118.00

### ArchiTech™ Series Network Locks Mounted Samples

#### Cylindrical

PRODUCT	LIST PRICE
N90S1295SK26D	consult factory
S90S1195SK26D	consult factory
N90S1195SK26D	consult factory

#### Mortise

PRODUCT	LIST PRICE
N95S1RW86SK26D	consult factory

### New! iLock App

#### iLock® App: Unlocks Network or ArchiTech™ Series Door Locks in seconds!



Introducing iLock®, the easy smartphone mobile solution for unlocking your Trilogy® Network™ or ArchiTech™ Series Designer Access Control Locks from any smart device without the need to carry cumbersome ID cards or keys. Password protected access is secure through the use of Bluetooth LE and proprietary encryption. Additionally, an optional feature can be utilized, requiring a password for each unlock request.

**The Key is Your Smartphone & More Secure Technology**

Any Smart Device can be the Access Key: Much more than an ID



card displayed on your smartphone, for your security, ArchiTech & its iLock App are wirelessly linked

together, each supplying its portion of stored encrypted data to provide secure access without a key, fuss or worry, ensuring user identities. A unique combination of convenience and cloneproof peace of mind, the ArchiTech platform uses universally-compatible Bluetooth LE™ technology, so they can use any smart device to unlock ArchiTech on your door(s); and do so from afar, at a comfortable, customizable range of up to 30 feet away. For even greater security users can add an optional passcode, entered on their phone App. *Coming soon:* emailable digital eKeys for guests or service temporary access, too.

*iLock App is available from both iTunes and the Google Play Store*



Price Book 2017

## WEATHER-RESISTANT ALARMED PANIC LOCKS

**Models 250, 260, 700, 710**

**Battery operated alarmed panic locks. All models (except 11A) feature deadbolt & deadlatch for extra security. Selectable 2-minute or constant alarm. 260/710. All models (except 11A) feature a 2-minute auto re-set on the alarm.**

**SPECIFICATIONS:**

Cover: Die-cast metal  
 Push Bar: Extruded Aluminum channel and push bar  
 Handed: All models non-handed except 11A  
 Installation: Surface mounted for single or double doors  
 Cylinder: Accepts most standard size rim cylinders for inside and outside key control (not included)  
 Power: Uses 1 9v battery (included). Normal battery life 1 Year. Can be powered by AC power by using either PP100 or AC9.  
 Lock bolt: 1" throw heavy die cast with reinforced Steel inserts.  
 Alarm: Dual piezo siren measured at 95db



PRODUCT	FINISH	LIST PRICE
250WP (PADDLE)	US28	\$538.00
700WP (36" BAR)	US28, US312 & Red	\$654.00
700X48WP (48" BAR)	US28 & US312	\$654.00
710WP (36"BAR)	US28	\$677.00
CER-KD CER-12345 Rim Cylinder for Outside & Inside Key Control	Solid Brass Body Satin Chrome Face	\$32.00
730 Single Door Strike for 250,260,700 & 710	US28 & US312	\$47.00
732 Double Door Strike for 250,260,700 & 710	US28 & US312	\$47.00
44 Double Door Holder	Aluminum	\$131.00
707 Exterior Door Pull use on 250,260 700 & 710 only	Metallic Silver (MS) Metallic Bronze (MB)	\$133.00
711 Exterior Finger Pull	US28 & US312 Use on 250,260,700 & 710 only	\$32.00
767 Mounting Plate for Aluminum Glass Door	US28 & US312 Use on 250,260,700 & 710 only	\$22.00
PP100 Optional AC Power Supply	Aluminum	\$272.00
AC9 Optional AC Power Supply	Aluminum	\$77.00
S6173	Replacement WP battery	\$37.00



Price Book 2017

## ALARMED PANIC DEVICES

**Models 250, 260, 700, 710 & 11A**– Battery operated alarmed panic locks. All models (except 11A) feature deadbolt & deadlatch for extra security. Selectable 2-minute or constant alarm. 260/710. All models (except 11A) feature a 2-minute auto re-set on the alarm.

### SPECIFICATIONS:



Cover: Die-cast metal  
 Push Bar: Extruded Aluminum channel and push bar  
 Handed: All models non-handed except 11A  
 Installation: Surface mounted for single or double doors  
 Cylinder: Accepts most standard size rim cylinders for inside And outside key control (not included)  
 Power: Uses 1 9v battery (included). Normal battery life 1 Year. Can be powered by AC power by using either PP100 or AC9.  
 Lock bolt: 1" throw heavy die cast with reinforced Steel inserts.  
 Alarm: Dual piezo siren measured at 95db



PRODUCT	FINISH	LIST PRICE
250 (PADDLE)	US28	\$474.00
260 (PADDLE)	US28	\$517.00
700 (36" BAR)	US28, US312 & Red	\$573.00
700X48 (48" BAR)	US28 & US312	\$613.00
710 (36"BAR)	US28	\$613.00
710X48 (48"BAR)	US28	\$628.00
11A	Deadbolt only exit lock. Handed order 11A or 11ALH. Use BP6 Battery.	\$598.00

### ACCESSORIES

CER-KD CER-12345 Rim Cylinder for Outside & Inside Key Control	Solid Brass Body Satin Chrome Face	\$32.00
730 Single Door Strike for 250,260,700 & 710	US28 & US312	\$47.00
732 Double Door Strike for 250,260,700 & 710	US28 & US312	\$47.00
K24A	11A Single door strike	\$37.00
K28	11A Double door strike	\$42.00
K210A	11A Strike for in-swing doors	\$55.00
44 Double Door Holder	Aluminum	\$131.00
22 Emergency Exit Pull (250/260/11A)	Aluminum	\$92.00
707 Exterior Door Pull use on 250,260 700 & 710 only	Metallic Silver (MS) Metallic Bronze (MB)	\$133.00
711 Exterior Finger Pull	US28 & US312 Use on 250,260,700 & 710 only	\$32.00
767 Mounting Plate for Aluminum Glass Door	US28 & US312 Use on 250,260,700 & 710 only	\$22.00
PP100 Optional AC Power Supply	Aluminum	\$272.00
AC9 Optional AC Power Supply	Aluminum	\$77.00
9936	Used to mount 11A on 36" glass door	\$94.00
9948	Used to mount 11A on 48" glass door	\$99.00
261	Current Transfer	\$72.00
BP6	Replacement battery for 11A	\$37.00



## DOOR ALARMS

**PG10, PG21 & PG30 SERIES – Battery operated surface mounted door alarms. Alarms magnetically activated. Easy to install. Convenient plug-in “No cut” jumpers.**

### SPECIFICATIONS:

- Power: PG21, PG30 use 9v battery (supplied). PG10 & LL1 use BP6 (supplied). BP6 must be purchased from Alarm Lock. AC power supply can also be used as a battery back up (see below).
- Alarm: Dual piezo siren measured at 95db.
- Cylinder: Accepts most 1¼” mortise cylinder used for interior activation (not supplied) and standard size rim cylinder used for exterior activation (not supplied).
- Installation: Surface mounted for single or double doors.
- Cover: Die cast metal.



PRODUCT	DESCRIPTION	LIST PRICE
PG10	Available in aluminum finish uses BP6 Battery replaced only through Alarm Lock	\$298.00
LL1	Same as PG10 with strobe light on top.	\$309.00
PG21MS PG21MB	Available in metallic silver and metallic bronze. Uses 9v battery.	\$298.00
PG21MSS/PG21MBS	Available in metallic silver and metallic bronze. Uses 9v battery with yellow strobe on top for noisy areas	\$366.00
PG30MS PG30MB	Available in metallic silver and metallic bronze. No cylinders required. All exit, entry and security levels programmed through keypad. 3 security levels, master, management and passage. Use 9v battery.	\$355.00
PG30KPD	Exterior keypad used with PG30 only.	\$205.00
CEM-KD CEM-12345	Standard mortise cylinder for interior activation. Solid brass body, satin chrome face	\$32.00
CER-KD CER-12345	Standard rim cylinder for exterior activation. Solid brass body, satin chrome face.	\$32.00
PP100	AC battery back-up complete with armored cable and housing.	\$272.00
AC9	AC battery back-up housing only	\$77.00
BP6	Replacement battery for PG10 & LL1	\$37.00



## DELAYED EGRESS PANIC LOCKS

**715 Series - Stand alone delayed egress panic lock. 15 second delayed latch, instant alarm. Instant egress in case of emergency or fire. Meets NFPA 101 Life Safety Code. Includes monitoring output for secondary siren , CCTV or remote monitoring. Smoke detector input.**

**SPECIFICATIONS:**

Cover: Die cast metal  
 Push bar: Extruded aluminum push bar and channel  
 Handed: Non-handed  
 Installation: Surface mounted for single or double doors  
 Cylinder: Accepts most standard size rim cylinder used for Inside and outside key control  
 Power: AC powered with 9v battery back-up for siren. Transformer And armored cable included  
 Lock bolt: 1" throw heavy die cast with reinforced steel inserts  
 Alarm: Dual piezo siren measured at 95db



PRODUCT	DESCRIPTION	LIST PRICE
715X28X88	15 second delayed egress lock. Aluminum finish with monitoring output. 33" bar.	\$1,078.00
715x28x88x48	15 second delayed egress lock. Aluminum finish with monitoring output. 48" bar	\$1,091.00
CER-KD CER-12345	Standard rim cylinder	\$32.00
725x28	Single door strike (included with unit)	\$55.00
735x28	Double door strike (not included with unit)	\$55.00
SWK-715	Surface wiring kit for wood or glass doors	\$94.00
767x28	Metal mounting plate for glass doors	\$22.00
277-12	277v transformer to wire 715 from Exit Sign	\$65.00
271	Armored cable	\$56.00

## ELECTRIC DEADBOLTS

**Models 103 & 104 Fail-safe or fail-secure electric deadbolts. Available In 12v or 24v AC or DC. Perfect for use on narrow stile Doors. Complete with angle, mortise or flush mount strikes. Use with standard key or push button switch.**

**SPECIFICATIONS:**

Cover: Molded aluminum  
 Power : Requires 400 mA for 24v, 800mA for 12v unit  
 Deadbolt: Powered by a continuous duty solenoid. 5/8" diameter And 5/8" projection.



PRODUCT	DESCRIPTION	LIST PRICE
103	24v AC or DC. Includes three strikes and magnets. Fail-safe	\$360.00
103x12	12v AC or DC. Includes three strikes and magnets. Fail-safe	\$424.00
104RA	24v AC or DC. Includes three strikes and magnets. Fail-secure	\$429.00
104x12	12v AC or DC. Includes three strikes and magnets. Fail-secure	\$474.00
221 / 241	24v Plug-in style transformers	\$55.00
222	24v Wire-in style transformer	\$55.00

**Price Book 2017**

**REMOTE RELEASE MAGNET**

**RR-PM1200 SERIES – Stand alone remote operated infra-red mag lock. Allows remote Lock control by a transmitting keyfob. Infra-red signal is detectable From interior and exterior sides of the door. Keyfob will operate From 10 feet on exterior side and 35 feet from interior side.**

**SPECIFICATIONS:**

Magnet: 1200lb 12v DC magnet  
 Power: Includes 12v AC plug in transformer. A 12v DC power supply  
 Can be utilized (not included)  
 Keyfob: Single button, dual LED infra-red transmitting. Up to 100 keyfobs  
 Can be programmed into a single magnet.  
 Programming: Each keyfob must be presented to the magnet to enroll keyfob ID into Software.



PRODUCT	DESCRIPTION	LIST PRICE
RR-PM1200PAK	Includes 1 1200lb remote magnet, one AL-REMOTE keyfob and one 12v AC transformer	\$642.00
RR-PM1200	1200lb remote magnet	\$568.00
AL-REMOTE	Remote keyfob	\$66.00

**POWER MAGNETS AND REQUEST TO EXIT BUTTONS**

PRODUCT	DESCRIPTION	LIST PRICE
PM600BI	600lb magnetic lock field selectable 12/24v DC 9 7/8" x 1 11/16" x 1" Aluminum finish	\$332.00
PM600L	600lb magnetic lock field selectable 12/24v DC 9 7/8" x 1 11/16" x 1" Aluminum finish L.E.D. indicator & door bond sensor for remote monitoring	\$390.00
PM1200	1200lb magnetic lock field selectable 12/24v DC 9 7/8" x 1 11/16" x 1" Aluminum finish	\$350.00
PM1200SL PM1200SL40 (dark bronze)	1200lb magnetic lock field selectable 12/24v DC 9 7/8" x 1 11/16" x 1" Aluminum finish L.E.D. indicator & door bond sensor for remote monitoring	\$406.00
PM1200SLBI	1200lb magnetic lock field selectable 12/24v DC 21" x 1 11/16" x 1" Aluminum finish L.E.D. indicator & door bond sensor for remote monitoring for use on double doors	\$734.00
PM120040	1200lb magnetic lock field selectable 12/24v DC 9 7/8" x 1 11/16" x 1" dark bronze finish	\$396.00
PM1200SLBI40	1200lb magnetic lock field selectable 12/24v DC 21" x 1 11/16" x 1" dark bronze finish L.E.D. indicator & door bond sensor for remote monitoring for use on double doors	\$734.00
PE1	Round red exit button non-illuminate Standard switch plate	\$133.00
PE2	Square green illuminated exit button Standard switch plate	\$133.00
PE2S	Square green illuminated exit button Narrow switch plate	\$131.00
PMA-ANGL1	Angle bracket 1 1/2 x 10 1/2	\$48.00
PMA-ANGL2	Angle bracket adjustable 1 1/2 x2 3/8x 10 1/2	\$92.00
PMA-ANGL3	Angle bracket adjustable 1 3/8x2 3/8x10 1/2	\$92.00
PMA-FILL1	Filler plate 10 1/2 x 3/4 x 5/8	\$38.00

**Note: Remote release and Power mag and accessories follow the Trilogy discounts.**



**POWER MAGNETS AND REQUEST TO EXIT BUTTONS (cont'd)**

<b>PRODUCT</b>	<b>DESCRIPTION</b>	<b>LIST PRICE</b>
PMA-FILL2	Filler plate 10 ½ x ¾ x ½	\$38.00
PMA-Z1	Z bracket adjustable use with PM600B1 Series	\$177.00
PMA-Z2	Z bracket adjustable use with PM1200 series	\$289.00
PMA-ARMH1	Armature plate 7 ¼" x 1 ½" x 19/32"	\$172.00
PMA-ARMH2	Armature plate 7 ½" x 2 7/16" x 19/32"	\$188.00



## **ALARM LOCK SYSTEMS, INC. WARRANTY/RETURN POLICY**

**Alarm Lock Systems Inc. warrants its products to be free from manufacturing defects in material and workmanship. The length of said warranty is 24 months on all products from the date of manufacture.**

**Any customer may get an over-the-counter exchange with the original seller (distributor) for any Alarm Lock product failing to operate properly.**

**For those customers who have direct accounts with Alarm Lock, please follow this procedure to return product for warranty replacement:**

- 1. Email your request to: [returns@alarmlock.com](mailto:returns@alarmlock.com)**
- 2. In order to receive a return authorization number, you must provide the date code of the product.**
- 3. The 4-digit date code sticker is the actual expiration date of the warranty.**
- 4. Any out of warranty product returned to the factory will be scrapped and is not returnable.**
- 5. If said product is found not to be operating properly because of a factory defect and is within the warranty period, Alarm Lock will issue a product replacement.**

**If you experience a problem with any Alarm Lock product, you may contact Alarm Lock's Technical Support directly at 1 800 252-5625.**

All prices published are suggested list prices in US Dollars. Some specifications are preliminary and subject to change without prior notice. Not responsible for typographical errors. Alarm Lock Systems, LLC, is a Division of Napco Security Technologies, Inc. (NASDAQ:NSSC) © Alarm Lock Systems, LLC, 9.16

## Notes

## Notes

Alarm Lock Systems, Inc.  
345 Bayview Ave  
Amityville, NY 11701  
1 800 252-5625  
1 631 789-3383  
[www.alarmlock.com](http://www.alarmlock.com)

**ALA132A.1**

**10/17**